

Product Selection Manual



GHORIT ELECTRICAL CO., LTD.

Address: NO. 111 Xinguang Road, Xinguang Industrial Zone,
Liushi Town, Yueqing, Wenzhou, Zhejiang, China, 325604.

Tel: +86-577-55771572/1573

Fax: +86-577-55771580

Mail: sales@ghorit.com

Website: www.ghorit.com



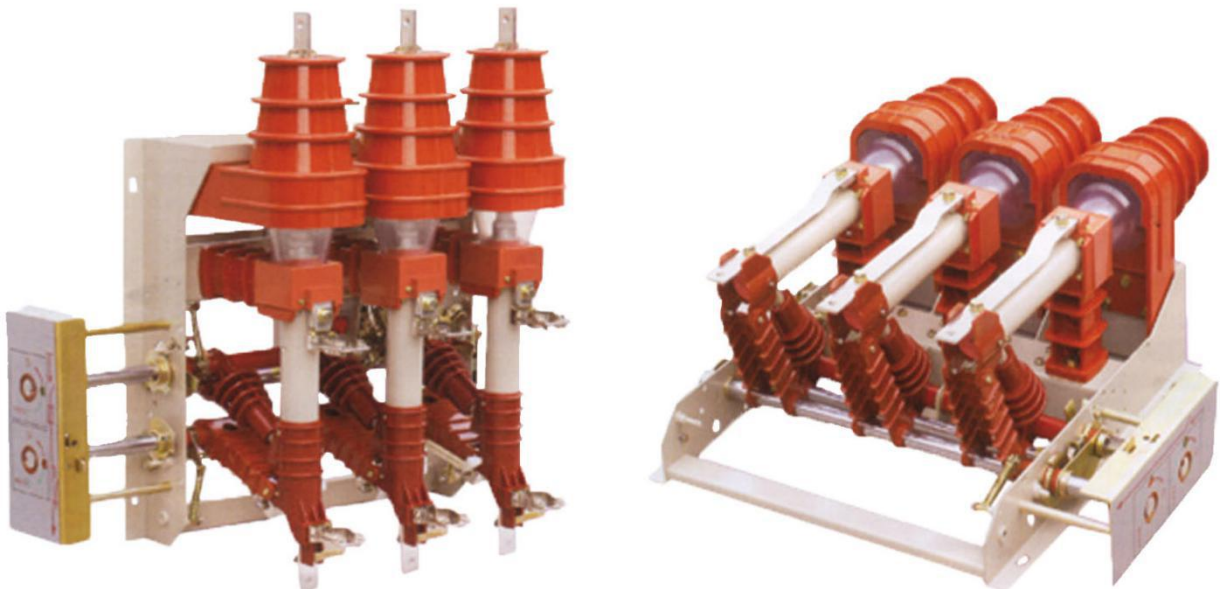


FN12-12 Series

Indoor High Voltage Air Load Break Switch

FN12-12 indoor HV air load break switch is a 3-phase AC 50Hz 12kV indoor switch equipment.

- ◆ Installation way: front-mounted, side mounted, flip mounted;
 - ◆ Operating mechanism: spring operating mechanism, manual type and electrical type available;
 - ◆ Operation type: right operation and left operation;
 - ◆ Application: indoor 12kv switchgear.
-



※ Environmental Conditions

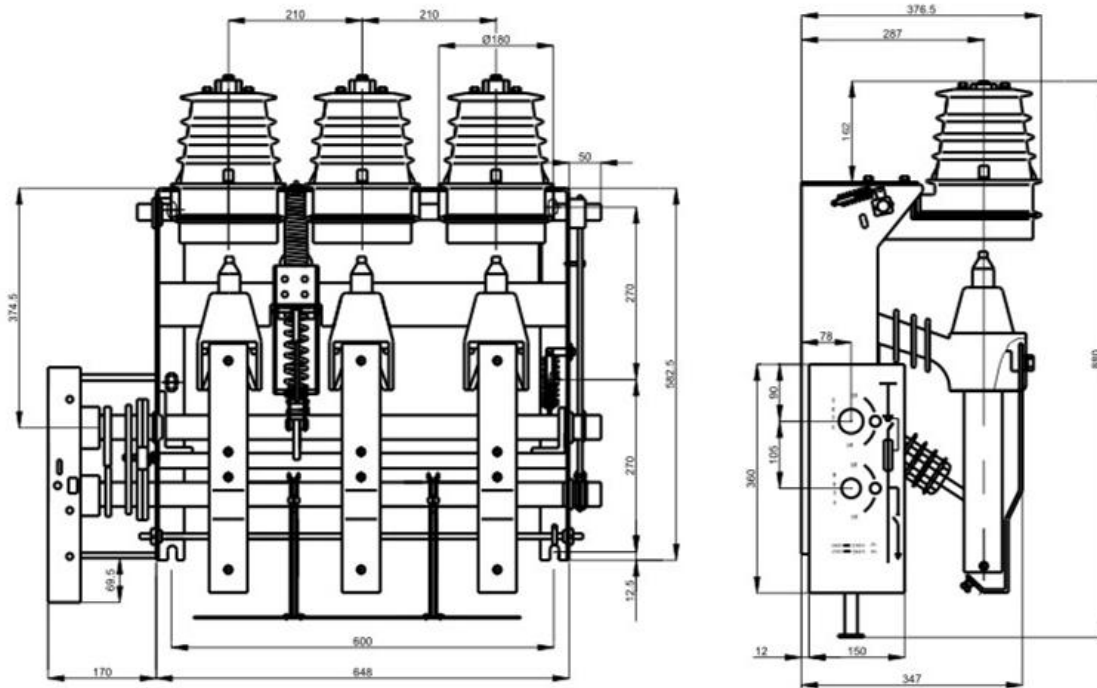
- ◆ Ambient temperature: -25°C ~ +40°C;
- ◆ Altitude: ≤1000m (above sea level);
- ◆ Relative humidity: daily average ≤95%, monthly average ≤90%;
- ◆ Earthquake intensity: ≤8 level;
- ◆ Pollution grade: II;
- ◆ Places without fire, explosion, chemical corrosion and serious vibration.

※ Main Technical Parameters

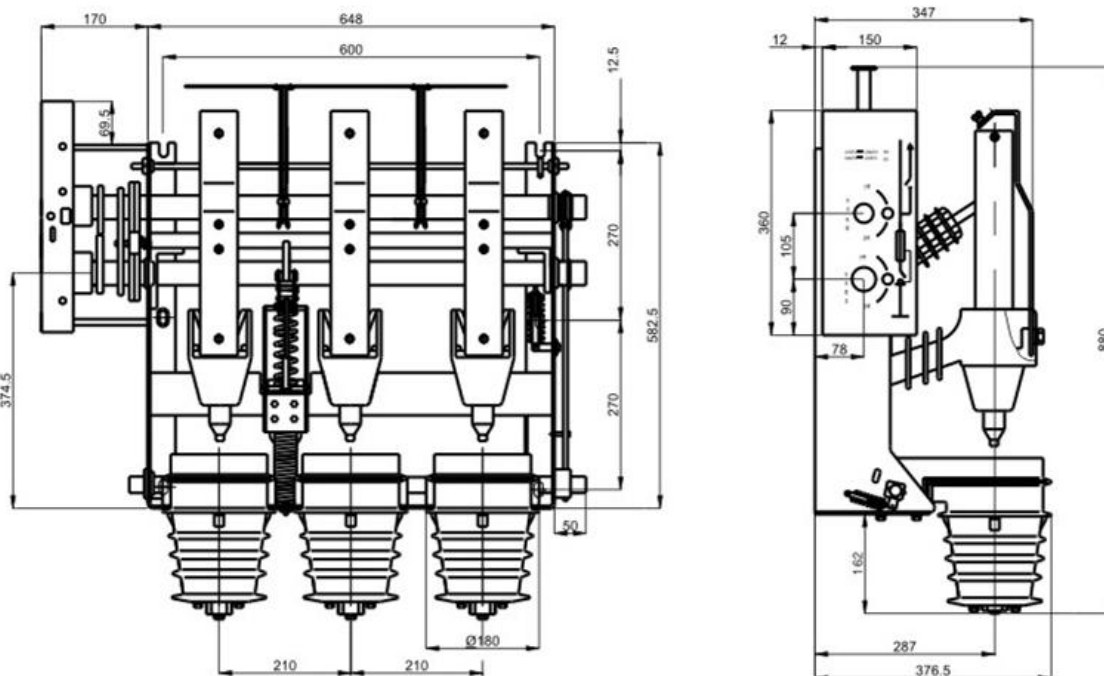
NO	Item	Unit	FN12-12D/6 30-20	FN12-12RD/1 25-31.5
1	Rated voltage	kV	12	12
2	Rated frequency	Hz	50	50
3	Rated current	A	630	125
4	1min power frequency withstand voltage (Phase to earth, between poles, open contacts)	Phase-to-earth, phase-to-phase	42	42
		Isolating fracture	48	48
5	Rated lightning impulse withstand voltage (Phase to earth, between poles, open contacts)	Phase-to-earth, phase-to-phase	75	75
		Isolating fracture	85	85
6	Rated short time withstand current (thermal stability current)	Load break switch	20	
		Earth switch	20	
7	Rated short circuit duration (thermal stability time)	Load break switch	4	
		Earth switch	2	
8	Rated short circuit making current (peak)	kA	50	
9	Rated breaking current	Active load breaking current	630	
		Loop breaking current	630	
		5% active load breaking current	31.5	
		Cable charging current	10	
		No-load transformer capacity	kVA	1250
10	Rated short circuit breaking current (limit current fuse)	kA		31.5
11	Rated transfer current	A		1200
12	Mechanical life	times	2000	2000
13	Striker output energy	J		1±0.5

※ **General Structure Drawing and Installation Size (unit: mm)**

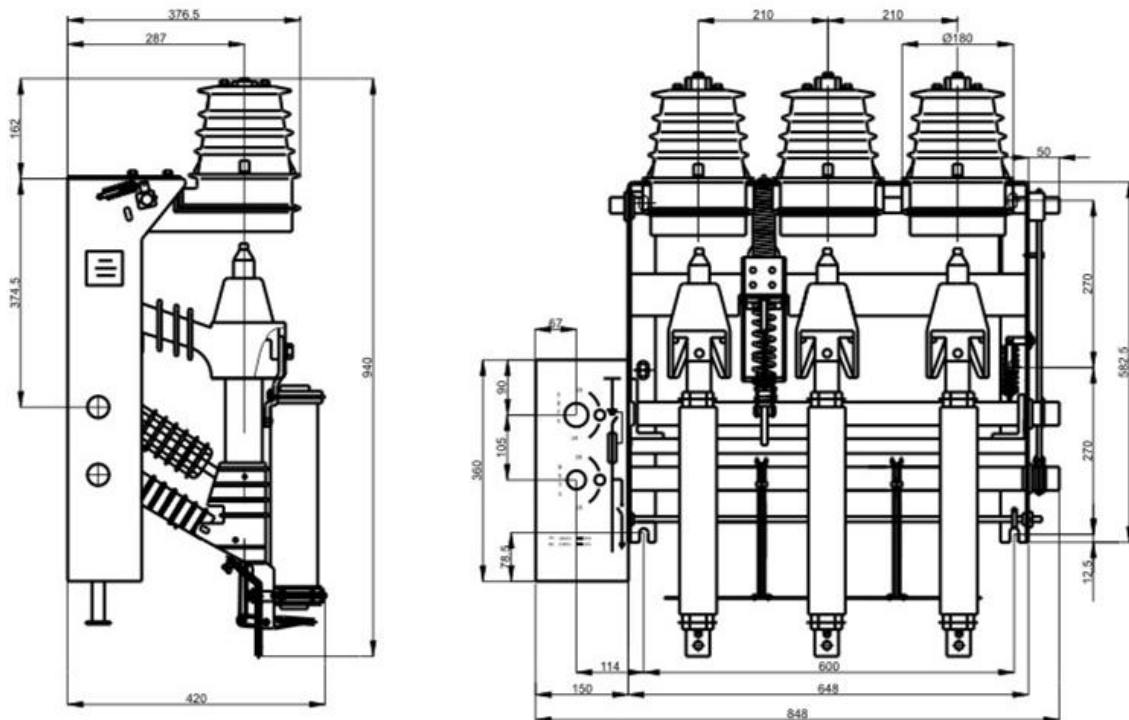
◆ FN12-12D (side-mounted left operation)



◆ FN12-12D (flip-mounted left operation)



◆ FN12-12RD (front side-mounted left operation)



◆ FN12-12RD (front flip-mounted left operation)

