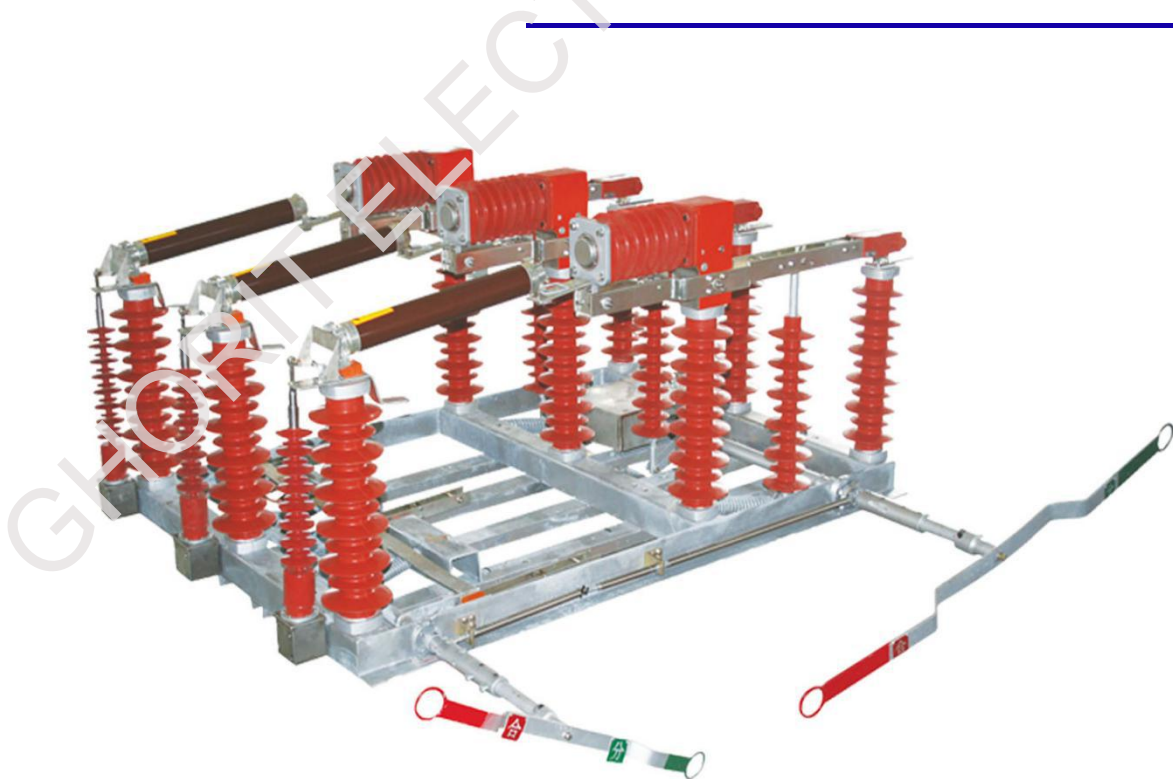




## FZW32-40.5(RD)

### Series Outdoor High Voltage Vacuum Load Break Switch

FZW32-40.5 outdoor AC high voltage disconnect vacuum load break switch is a new product adopts domestic existing mature load break switch production experience and overseas advanced technology to design and manufacture. the load break switch is composed of disconnect blade, vacuum interrupter and operation mechanism. vacuum extinguishing arc, there are merits as strong extinguishing arc ability, reliable performance, long lifetime, small volume, no explosive danger and no pollution to environment.



### ※ Environmental Conditions

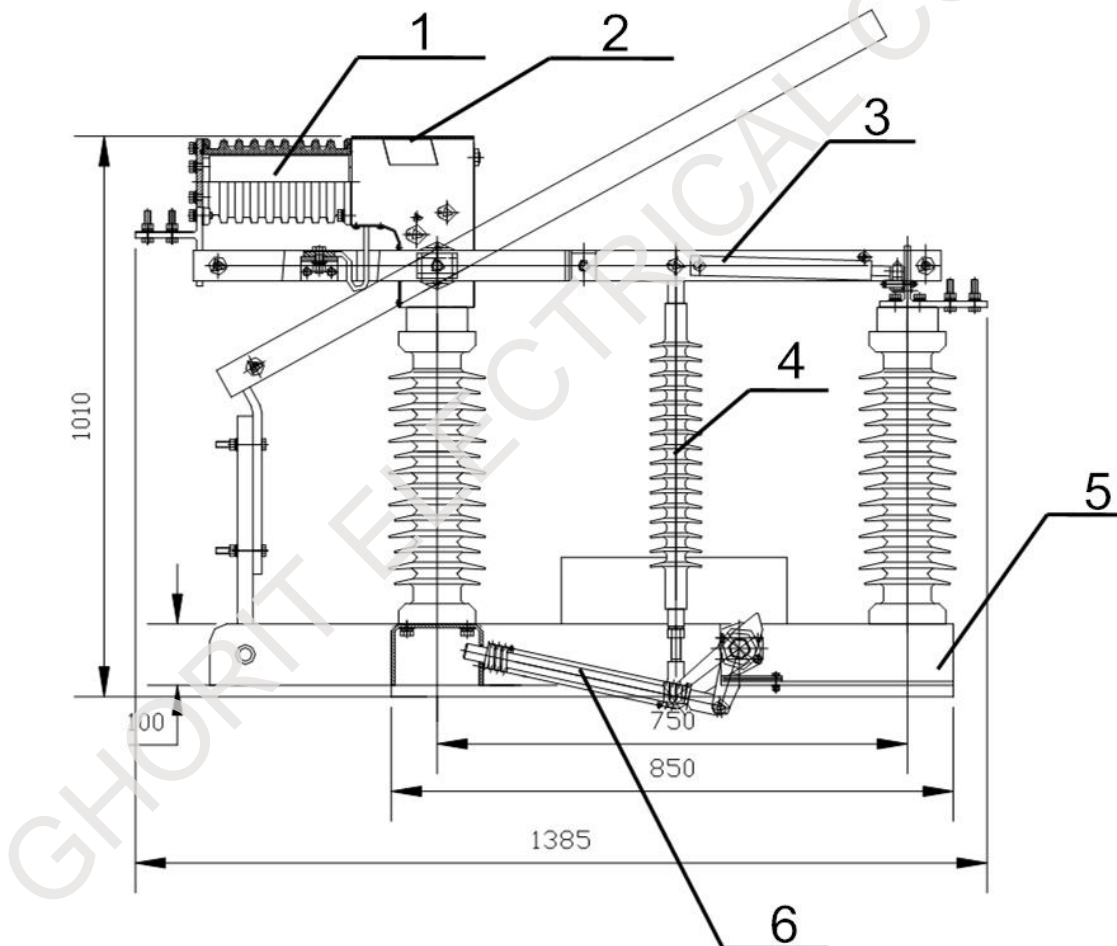
- ◆ Ambient air temperature: -25~+40°C, daily temperature ≤32K
- ◆ Altitude: 1000m
- ◆ Wind pressure ≤700Pa (equal to wind speed 34m/s)
- ◆ Air pollution degree: according to GB5582 point 4.1 for IV level
- ◆ Seismic tension: ≤8 level Ambient temperature: -15°C~+40°C;

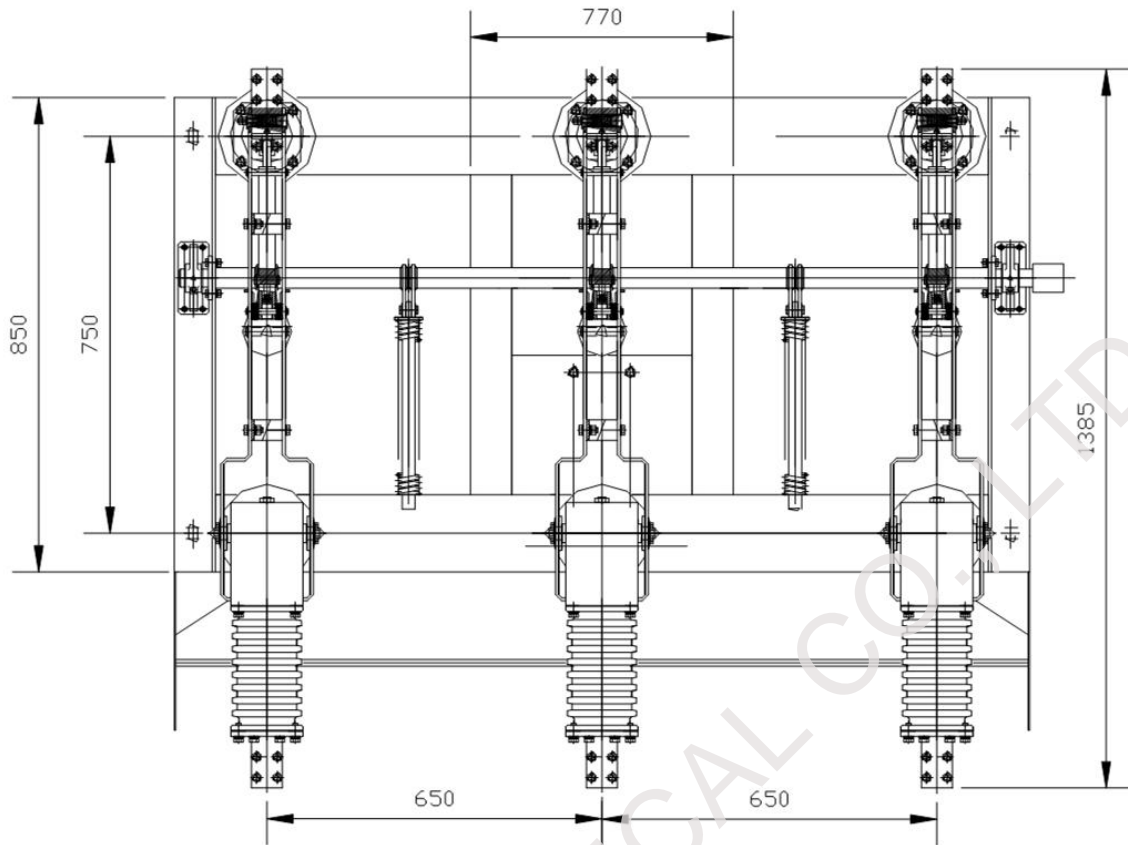
### ※ Main Technical Parameters

NO.	Name		Unit	Value
1	Rated voltage		KV	40.5
2	Rated current		A	630
3	Rated frequency		Hz	50
4	Rated peak withstand current		KA	50
5	Rated short time withstand current		KA	20
6	Rated short time withstand current duration		s	4
7	Rated active load breaking current		A	630
8	Rated closed loop breaking current		A	630
9	Rated cable charging breaking current		A	10
10	5% rated active load breaking current		A	31.5
11	Rated breaking capacity of no-load transformer		KVA	1250
12	Rated short-circuit closing current		KA	50
13	Major loop resistance		μΩ	≤95
14	1min power frequency withstand voltage (RMS)	Dry test	Pole-to-pole, pole-to earth	95
			Isolating fracture	115
		Wet test	Pole-to-pole, pole-to earth	85
15	Lightning impulse withstand voltage (peak)	Pole-to-pole, pole-to earth		KV
		Isolating fracture		
16	Mechanical life		Times	10000

NO.	Name	Unit	Value
17	Three-phase opening/closing asynchronism	ms	≤15
18	Motor voltage and power	V   W	≈220   ≤200
19	Contact knife breaking position deviation	mm	≤5
20	Main contact knife pressure	N	420±42
21	Clearance between contact knives	mm	≥360
22	Rated peak operating torque	Nm	≤300

※ **General Structure Drawing and Installation Size (unit: mm)**





- |                            |                   |
|----------------------------|-------------------|
| 1. Vacuum interrupter      | 2. Opening spring |
| 3. Disconnecter components | 4. Insulator      |
| 5. Frame                   | 6. Spring         |