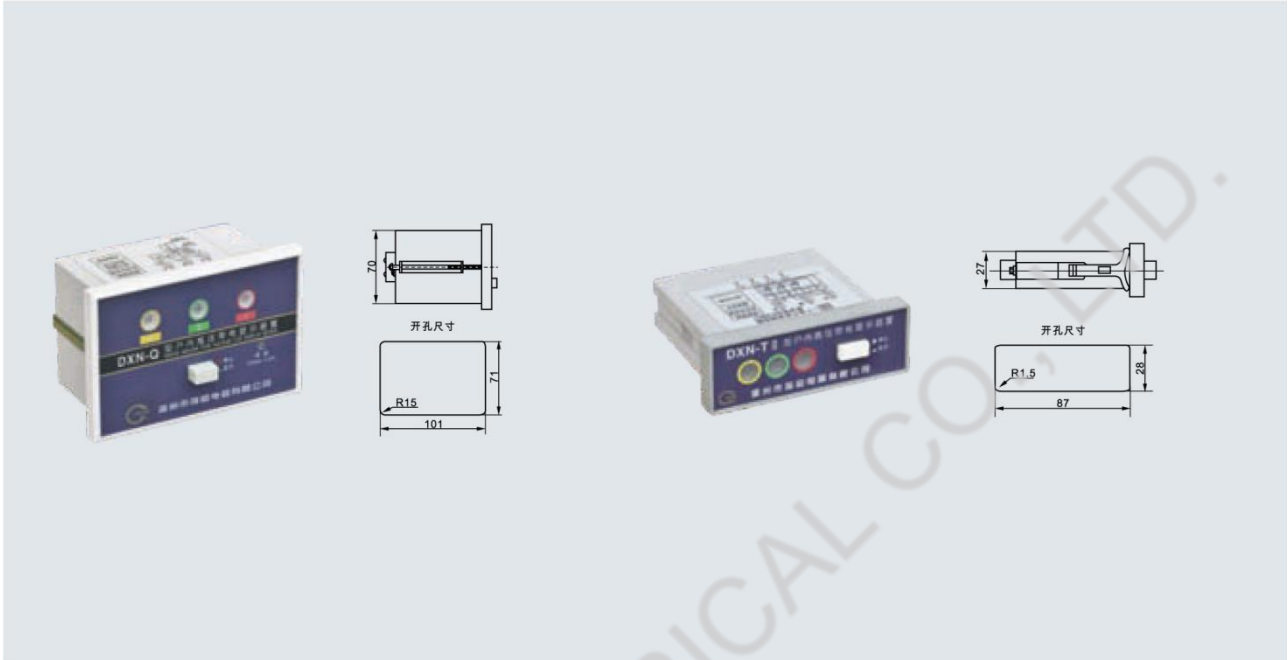


12~40.5KV

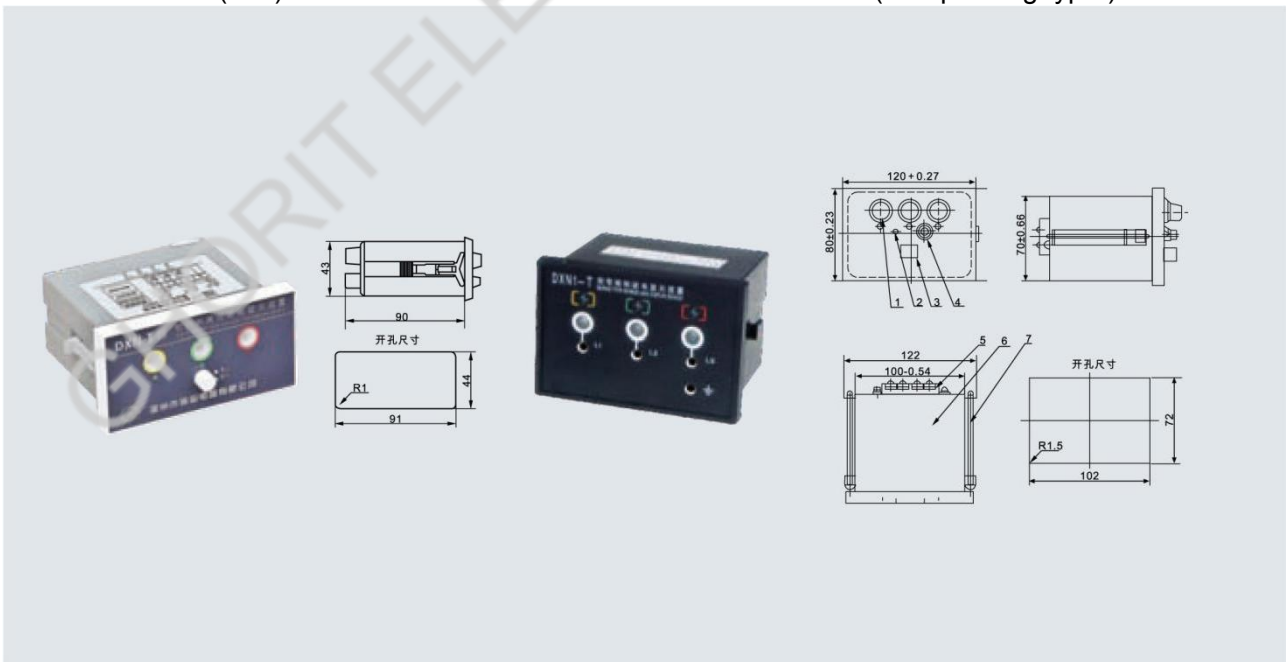
- Products code: HCA501
- Charged display
- Model: DXN-I (T/Q)

- Products code: HCA502
- Charged display
- Model: DXN-II (T/Q)



- Products code: HCA503
- Charged display
- Model: DXN-III (T/Q)

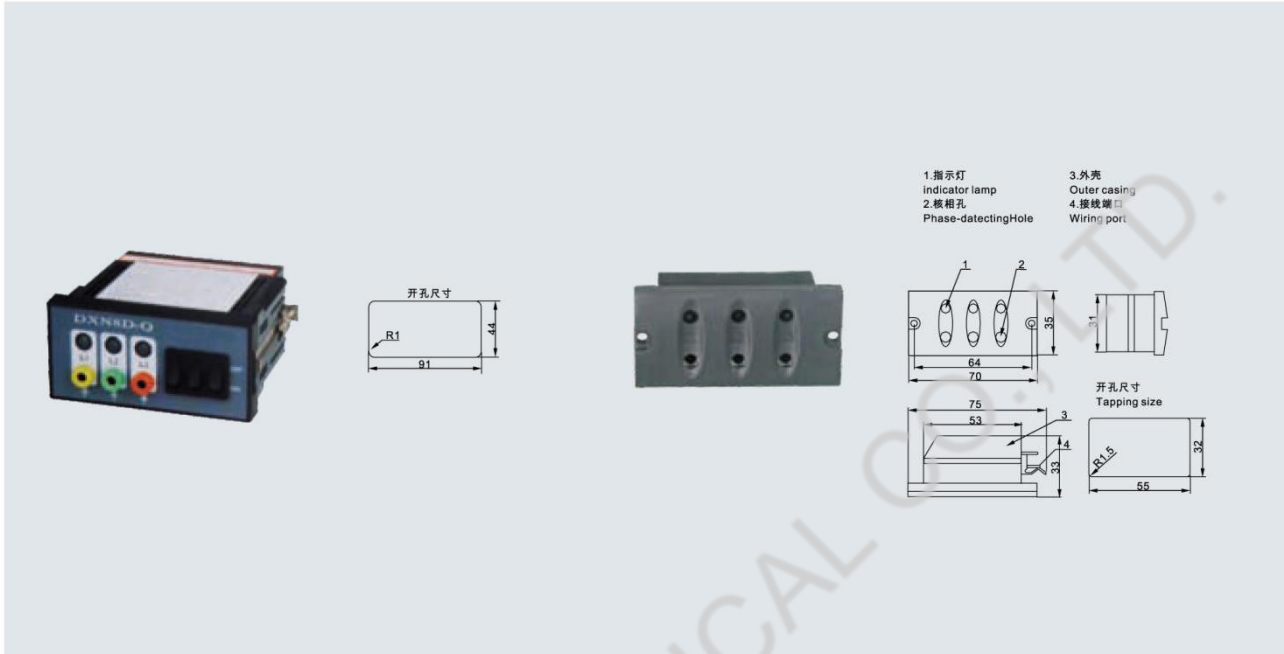
- Products code: HCA504
- Charged display
- Model: DXN-I (with phasing type)



12~40.5KV

- Products code: HCA505
- Charged display
- Model: DXN8D-Q(T)

- Products code: HCA506
- Charged display
- Model: DXN-IV (GL-3)(L-6)



- Products code: HCA507
- Charged display
- Model: DXN-V (GL-3)

- Products code: HCA508
- Charged display
- Model: DXN-VI (GL-2)

