

## 截止阀系列



## **GLOBE VALVE SERIES**



### 特点 Features

- 1、中法兰式、自密封式多结构满足用户要求。
  - 2、可以安装在管道的任何位置上，启闭迅速、耐磨耐蚀。
  - 3、不锈钢截止阀适用于各腐蚀性介质上的管道上，有良好的防腐性和足够的强度。
  - 4、合金钢截止阀适用于耐高温的蒸汽、油品管道上，具有耐高温的特点。
- 1, In the flange-type, self-sealing multi-structure to meet user requirements.
  - 2, Can be installed anywhere in the pipeline, the gate quickly, wear corrosion resistance.
  - 3, Stainless steel cut-off valve for corrosive media on the pipe, and a good anti-corrosion and sufficient strength.
  - 4, Alloy steel valve for high temperature steam, oil pipeline, the high temperature characteristics.

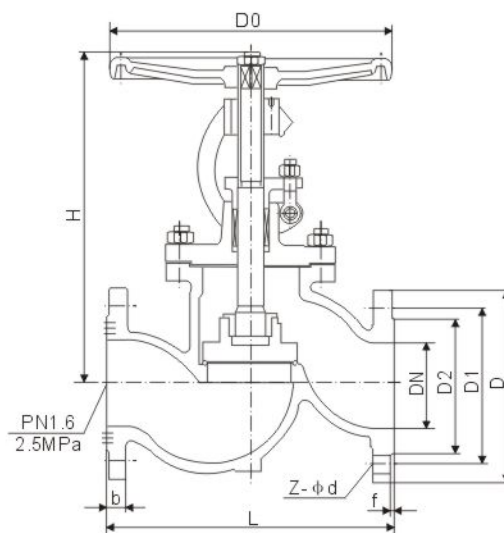

**J41H**

### 性能规范 Technical data

公称压力 PN(MPa) Nominal pressure	试验压力 Testing pressure (MPa)		
	壳体 Shell	上密封 On sealing	密封 Sealing
1.6	2.4	1.8	1.8
2.5	3.8	2.8	2.8

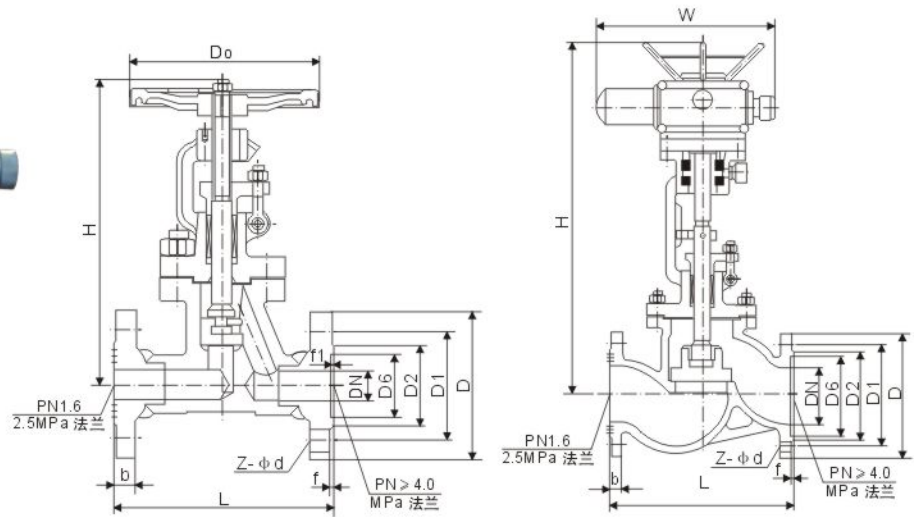
### 适用范围 Applicable range

产品类型 Product type	适用介质 Suitable medium	适用温度℃ Suitable temperature
J41Y-C型 J941Y-C型	水、蒸汽、油品 Water, steam, oil	<425
J41W-P型 J941W-P型	硝酸类 Nitric acid	<200
J41W-R型	醋酸类 acetic acid	<200
J41Y-I型 J941Y-I型	水、蒸汽、油品 Water, steam, oil	<550



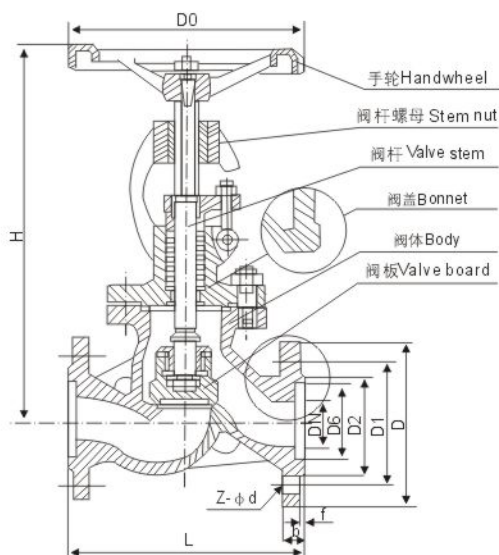
### 主要零部件材料 Material of main parts

产品类型 Product type	零件名称 Parts name							
	阀体、阀盖 Valve body, valve cover	阀杆 Stem	阀瓣 Disc	密封面 Sealing surface	阀杆螺母 Stem nut	填料 Padding	紧固件 Fasteners	手轮 Handwheel
J41Y-C型 J941Y-C型	25, WCB	铬不锈钢 Chrome stainless steel	2Cr13 25	H: 不锈钢 Y: 钴基硬质合金 H: Stainless Steel Y: Co-based hard Alloy Steel	铝青铜 Aluminum Copper	柔性石墨 Flexible Graphite	优质碳钢 Quality carbon steel	可锻铸铁 Malleable iron
J41W-P型 J941W-P型								
J41W-R型	铬镍钼钛钢 Ti-Cr-Ni-Mo steel	不锈钢 stainless steel						
J41Y-I型 J941Y-I型	铬钼钢 Cr-Mo steel	铬钼钢 Cr-Mo steel	合金钢 Alloy Steel	钴基硬质合金 Co-based hard Alloy Steel			合金钢 Alloy Steel	


**J941H**

**主要尺寸表和重量 Main dimensions and weight**

PN(MPa)	DN(mm)	L	D	D1	D2	b	f	z-φd	H±	H <sub>电</sub>	D0	电动装置 Electrical device	重量(kg) Weight	
													手动 Manual	电动 Electric
1.6	10	130	90	60	40	14	2	4-φ14	198	-	120	-	4.7	-
	15	130	95	65	45	16	2	4-φ14	218	-	120	-	5.2	-
	20	150	105	75	55	16	2	4-φ14	258	-	140	-	7.1	-
	25	160	115	85	65	16	2	4-φ14	275	-	160	-	7.4	-
	32	180	135	100	78	18	2	4-φ18	280	-	180	-	8.5	-
	40	200	145	110	85	18	3	4-φ18	330	-	200	-	12.5	-
	50	230	160	125	100	18	3	4-φ18	350	-	240	-	14	-
	65	290	180	145	120	18	3	4-φ18	400	-	280	-	22.5	-
	80	310	195	160	135	20	3	8-φ18	355	-	280	-	29	-
	100	350	215	180	155	22	3	8-φ18	415	-	320	-	32.5	-
	125	400	245	210	185	24	3	8-φ18	460	-	360	-	80	-
	150	480	280	240	210	24	3	8-φ23	510	-	400	-	93.5	-
200	600	335	295	265	26	3	12-φ23	710	-	400	-	180	-	
250	650	405	355	320	30	3	12-φ23	786	-	450	-	440	-	
300	750	460	410	375	30	3	12-φ23	925	-	500	-	648	-	
2.5	10	130	90	60	40	16	2	4-φ14	198	-	120	-	4.9	-
	15	130	95	65	45	16	2	4-φ14	218	-	120	-	5.4	-
	20	150	105	75	55	16	2	4-φ14	258	-	140	-	7	-
	25	160	115	85	65	16	2	4-φ14	275	-	160	-	7.4	-
	32	180	135	100	78	18	2	4-φ18	280	-	180	-	8.5	-
	40	200	145	110	85	18	2	4-φ18	330	-	200	-	12.5	-
	50	230	160	125	100	20	3	4-φ18	350	645	240	DZW101	16	50
	65	290	180	145	120	22	3	8-φ18	400	690	280	DZW101	25	62
	80	310	195	160	135	22	3	8-φ18	355	715	280	DZW151	30	67
	100	350	230	190	160	24	3	8-φ23	415	770	320	DZW20	34.5	73
	125	400	270	220	188	28	3	8-φ25	460	780	360	DZW30	89	127
	150	480	300	250	218	30	3	8-φ25	510	875	400	DZW45	98	215
200	600	360	310	278	34	3	12-φ25	710	967	400	DZW60	180	322	
250	650	425	370	332	36	3	12-φ30	786	-	450	-	446	-	
300	750	485	430	390	40	4	12-φ30	952	-	500	-	654	-	

**截止阀系列**


**J41W**

**性能规范 Technical data**

公称压力 PN(MPa) Nominal pressure	试验压力(MPa) Test pressure			工作温度℃ Working temperature	适用介质 Suitable medium
	强度(水) Intensity (Water)	密封空气(水) Seal air (Water)	低压密封空气 Low pressure sealing air		
1.6	2.4	1.8	0.6	≤200	硝酸Nitric acid
2.5	3.8	2.8	0.6	≤200	醋酸 Acetic acid
4.0	6.0	4.4	0.6	≤200	硝酸Nitric acid
6.4	9.6	7.0	0.6	≤200	醋酸 Acetic acid

**主要零部件材料 Material of main parts**

零件名称 Part name	材质 Material	
	Z41W-16/25/40P	Z41W-16/25/40R
阀体、阀盖 Body, bonnet	铬镍钛钢 Chrome-nickel steel, titanium	镍铬钼钛钢 Nickel-chromium- molybdenum steel, titanium
阀板 Valve board		
阀杆 Valve stem		
阀杆螺母 Valve yoke nut	铝铁青铜 Al-Fe bronze	
手轮 Handwheel	灰铸铁、可锻铸铁 Gray cast iron, malleable iron	

**主要尺寸表 Main dimensions**

PN(MPa)	DN (mm)	L	D	D1	D2	H	b-f	z-φd	D0
1.6	15	130	95	65	45	170	16-2	4-φ14	120
	20	150	105	75	55	190	16-2	4-φ14	140
	25	160	115	85	65	205	16-2	4-φ14	160
	32	180	135	100	78	270	18-2	4-φ18	180
	40	200	145	110	85	310	18-3	4-φ18	200
	50	230	160	125	100	358	18-3	4-φ18	240
	65	290	180	145	120	373	18-3	4-φ18	280
	80	310	195	160	135	435	20-3	8-φ18	320
	100	350	215	180	155	500	20-3	8-φ18	360
	125	400	245	210	185	614	22-3	8-φ18	400
	150	480	280	240	210	674	24-3	8-φ23	400
	200	600	335	295	265	818	26-3	12-φ23	450
250	730	405	355	320	969	30-3	12-φ25	550	

**主要尺寸表 Main dimensions**

PN(MPa)	DN (mm)	L	D	D1	D2	H	b-f	z-φd	D0
2.5	15	130	95	65	45	233	16-2	4-φ14	120
	20	150	105	75	55	275	16-2	4-φ14	140
	25	160	115	85	65	285	16-2	4-φ14	160
	32	180	135	100	78	302	18-2	4-φ18	180
	40	200	145	110	85	355	18-3	4-φ18	200
	50	230	160	125	100	362	20-3	4-φ18	240
	65	290	180	145	120	400	22-3	8-φ18	280
	80	310	195	160	135	430	22-3	8-φ18	320
	100	350	230	190	160	465	24-3	8-φ23	360
	125	400	270	220	188	550	28-3	8-φ25	400
	150	480	300	250	218	700	30-3	8-φ25	400
	200	600	360	310	278	780	34-3	12-φ25	450
250	730	425	370	335	900	36-3	12-φ30	550	
4.0	15	130	95	65	45	233	16-2	4-φ14	40
	20	150	105	75	55	275	16-2	4-φ14	51
	25	160	115	85	65	285	16-2	4-φ14	58
	32	180	135	100	78	302	18-2	4-φ18	66
	40	200	145	110	85	355	18-3	4-φ18	76
	50	230	160	125	100	370	20-3	4-φ18	88
	65	290	180	145	120	408	22-3	8-φ18	110
	80	310	195	160	135	436	22-3	8-φ18	121
	100	350	230	190	160	475	24-3	8-φ23	150
	125	400	270	220	188	558	28-3	8-φ25	178
	150	480	300	250	218	720	30-3	8-φ25	204
	200	600	375	320	282	800	38-3	12-φ30	260
6.4	15	170	105	75	55	240	18-2	4-φ14	41
	20	190	125	90	68	280	20-2	4-φ18	51
	25	210	135	100	78	290	22-2	4-φ18	58
	32	230	150	110	82	325	24-2	4-φ23	66
	40	260	165	125	95	360	24-3	4-φ23	76
	50	300	175	135	105	410	26-3	4-φ23	88
	65	340	200	160	130	430	28-3	8-φ23	110
	80	380	210	170	140	465	30-3	8-φ23	121
	100	430	250	200	168	537	32-3	8-φ25	150
	125	500	295	240	202	630	36-3	8-φ30	176
	150	550	340	280	240	790	38-3	8-φ34	204
	200	650	405	345	300	910	44-3	12-φ34	260

### 简介 Brief

柱塞阀的结构(如图所示)特点是柱塞阀的阀瓣是柱塞型阀瓣,当顺时针旋转手轮时通过阀杆带动柱塞型阀瓣在上下密封环中作向下直线运动,使柱塞阀瓣的端部锥面与阀体阀座锥面密封接触,使之形成锥面硬密封,其密封效果特佳。

本柱塞阀的阀瓣外圆与上下密封环内经采用过盈配合,并通过调节阀盖上固定螺栓的预紧力,使上密封环端面上的密封比压增加,导致上密封环的径向分力增加,从而阻止该阀门的外泄漏。

本柱塞阀无外泄漏之优点硬密封及启闭迅速之特点为一体,形成一种结构新颖用途广泛的新产品。

The plunger valve structure (like chart shows) the characteristic is the plunger valve valve petal is the plunger valve petal, when clockwise rotation handwheel does through the valve lever impetus plunger valve petal in the about packing ring to the under translation, causes the plunger valve petal the nose conical surface and the valve body valve seat conical surface seal contact, causes it to form the conical surface hard seal, its seal effect is especially good.

This plunger valve valve petal outer annulus after has used the full coordination with the about packing ring in, and covers the set bolt through the regulating valve to give the tight strength, causes on the packing ring end surface the seal ratio to press the increase, causes on the packing ring after to increase to the force component, thus prevents this valve outside to divulge.

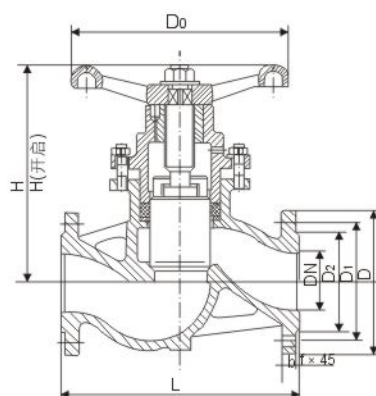
Outside this plunger valve does not have divulges the merit hard seal and opens shuts the rapid characteristic is a body, forms one kind of structure novel versatility new product.

### 性能规范 Technical data

公称压力 PN(MPa) Nominal pressure	试验压力(MPa) Test pressure		工作温度 Working temperature		适用介质 Suitable medium
	壳体 Shell	密封 Seal			
1.6	2.4	1.76	-20~ 250℃	瞬时 < 300℃	水、蒸气、油品、氨、 醋酸铜氨液及酸性介质 Water, vapour, oil product, ammonia, copper acetate ammoniacal liquor and/or acid medium grade
2.5	3.75	2.75			
4.0	6.0	4.4			



U41SM



### 主要零部件材料 Material of main parts

序号 No.	零件名称 Components name	铸钢 Cast steel	不锈钢 Stainless steel
		C	P
1	阀体阀盖 Valve body valve cover	WCB	ZG1Cr18Ni9Ti
2	柱塞 Plunger	ZG1Cr18Ni9Ti	ZG1Cr18Ni9Ti
3	阀杆 Valve lever	2Cr13	1Cr18Ni9Ti
4	填料 Padding	聚四氟乙烯石墨+高弹性胶 (8202型) Teflon graphite + high elastic rubber (8202型)	
5	阀座 Valve seat	聚四氟乙烯石墨+高弹性胶 (8202型) Teflon graphite + high elastic rubber (8202型)	

### 主要尺寸表和重量 Main dimensions and weight

DN (mm)	L	f	1.6					2.5					4.0					D0	H	H1	重量Weight (kg)		
			D	D1	D2	b	Z-φd	D	D1	D2	b	Z-φd	D	D1	D2	b	Z-φd				1.6	2.5	4.0
15	130	2	95	65	45	14	4-14	95	65	45	16	4-14	95	65	45	16	4-14	80	116	132	2.8	3	3
20	150	2	105	75	55	14	4-14	105	75	55	16	4-14	105	75	55	16	4-14	80	142	150	5	5.2	5.2
25	160	2	115	85	65	14	4-14	115	85	65	16	4-14	115	85	65	16	4-14	100	163	172	6.5	6.8	6.8
32	180	2	135	100	78	16	4-18	135	100	78	18	4-18	135	100	78	18	4-18	120	182	195	8.5	8.9	8.9
40	200	3	145	110	85	16	4-18	145	110	85	18	4-18	145	110	85	18	4-18	180	210	225	12	12.4	12.4
50	230	3	160	125	100	16	4-18	160	125	100	20	4-18	160	125	100	20	4-18	180	230	245	17	17.5	17.5
65	290	3	180	145	120	18	4-18	180	145	120	22	8-18	180	145	120	22	8-18	200	250	270	22	22.6	22.6
80	310	3	195	160	135	20	8-18	195	160	135	22	8-18	195	160	135	22	8-18	240	269	295	30	31	31
100	360	3	215	180	155	20	8-18	230	190	160	24	8-23	230	190	160	24	8-23	240	278	310	41	44	44
125	400	3	245	210	185	22	8-18	270	220	188	28	8-25	270	220	188	28	8-25	375	332	370	70	78	78
150	480	3	280	240	210	24	8-23	300	250	218	30	8-25	300	250	218	30	8-25	375	434	476	90	100	100
200	600	3	335	295	265	26	12-23	360	310	278	34	12-26	375	320	282	38	12-30	460	498	550	120	134	134
250	730	3	405	355	320	30	12-25	425	370	332	36	12-30	445	385	345	42	12-34	460	540	605	220	220	220
300	850	4	460	410	375	30	12-25	485	430	390	40	16-30	510	450	408	46	16-34	460	650	725	340	340	340
350	980	4	520	470	435	34	16-25	550	490	448	44	16-34	570	510	465	52	16-34	500	730	820	650	650	650
400	1100	4	580	525	485	36	16-30	610	550	505	48	16-34	655	585	535	58	16-41	500	850	950	750	750	750