



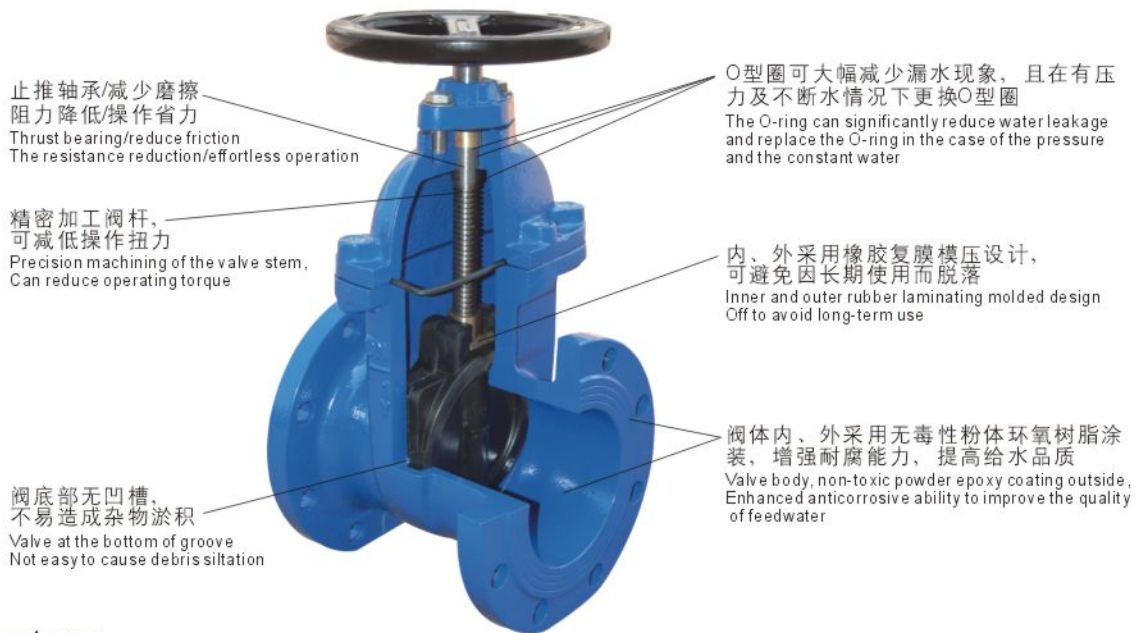
莱科阀门  
LIKE VALVE

## 闸阀系列



## **GATE VALVE SERIES**





## 特点 Features

- 重量轻:** 本阀采用球墨铸铁制造而成, 重量较传统闸阀重量减轻20%~30%, 安装维修方便。
- 平底式阀座:** 传统的闸阀往往在通水洗管后即因外物诸如石头、水块、水泥、铁屑、杂物等淤积于阀底凹槽内, 容易造成无法关闭严密而形成漏水现象, 弹性座封闸阀底部采用与水管相同的平底设计, 不易造成杂物淤积, 使流体畅通无阻。
- 整体包胶:** 阀瓣采用高品质的橡胶进行整体内、外包胶, 国内一流的橡胶硫化技术使得硫化后的阀板能够保证精确几何尺寸, 且橡胶与球墨铸铁闸板连接着牢靠, 不易脱落及弹性记忆佳。
- 精铸阀体:** 阀体采用精密铸造, 精确的几何尺寸使得阀体内部无需任何精加工即可保证阀门的密封性。
- 嵌入式铜螺母:** 铜螺母与弹性阀门采用嵌入式接合, 使二者紧密结合成为一体, 不因水流动造成震动而产生松动或损坏现象。
- 耐腐蚀:** 阀体采用粉末环氧树脂涂装, 可防止阀体的腐蚀及生锈, 并可用于污水系统。
- 不易碎裂:** 以往传统铸铁闸阀常因外物击中、碰撞或重叠而造成断裂现象。由于本阀改用球墨铸铁, 此种情形可大幅度减少。
- "O"型环密封圈:** 由于阀体采用三道“O”型环密封圈密封设计, 可减少开关时的摩擦阻力, 大幅减少漏水现象及可以不停水施工更换密封圈。
- 有助生饮:** 由于阀体内部以无毒性环氧树脂涂装, 闸板的内外表面均以橡胶完全包覆而不至于出现锈水或腐蚀现象, 可供生饮。

- Weight light:** This valve uses the modular cast iron manufacture to become, the weight compares the traditional gate valve weight to reduce 20%~30%, the installment service is convenient.
- Flat base type valve seat:** The traditional gate valve often after passes the laundering tube namely because outside the thing such as stone, Shui Kuai, the cement, the iron filings, the sundry goods and so on silts up Yu Fade in the scoop channel, is easy to create is unable to close closely forms the water leakage phenomenon, elasticity seals the gate valve base to use with the water pipe same flat base design, is not easy to create the sundry goods to silt up, unimpededly causes the fluid to be unimpeded.
- Whole encapsulate:** The valve petal uses the high quality the rubber to carry on in the whole, lagging glue, after the domestic first-class vulcanization technology enables the curing the valve board to be able to guarantee the precise geometry size, also the rubber and the modular cast iron damper plate are connecting sturdily, is not easy to fall off and the elastic memory is good.
- Fine casts the valve body:** The valve body uses the precision casting, the precise geometry size causes the valve body interior not to need any precision work then to guarantee the valve the leak-proof quality.
- Inserts the type copper nut:** The copper nut and the elastic valve use inserts the type joint, causes a two in close integration with into body, because the water mobile does not create the vibration to produce becomes less crowded or the damage phenomenon.
- Anti-corrosive:** The valve body uses the powder froth epoxy resin painting, may prevent the valve body the corrosion and rusts, and may use in the sewage system.
- Is not easy to disrupt:** Former traditional cast iron gate valve Chang Yinwai hits, the collision or overlaps creates the break phenomenon. Because this valve changes to the modular cast iron, this kind of situation may large scale reduce.
- Three "O" link seal packing collar:** When the valve body uses three "O" the link seal packing collar seal design, may reduce the switch the friction drag, largely reduces the water leakage phenomenon and may not cut off the water supply the construction replacement seal packing collar.
- Is helpful to live drinks:** As a result of the valve body interior by the non-toxic epoxy resin painting, the damper plate inside and outside surface but as for does not appear the rust water or the corrosion phenomenon by the rubber complete gable, may supply to live drinks.

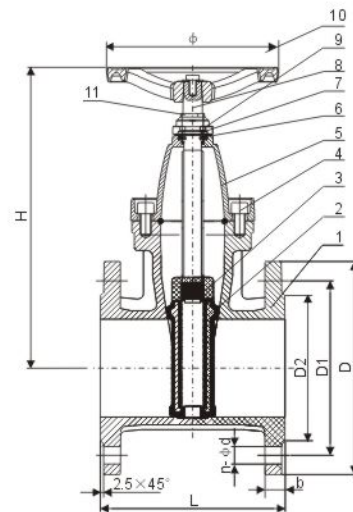
**简介 Brief**

暗杆软密封闸阀，利用闸阀整体包胶产生变形补偿作用达到良好的密封效果，克服了一般闸阀密封不良、漏水和生锈的现象，更有效有节约安装空间。可广泛用于自来水、污水、建筑、石油、化工、食品、医药、轻纺、电力、船舶、冶金、能源系统等流体管线上作为调节和截流装置使用。

Non-rising resilient gate valve, gate valve as a whole package glue to produce the phenomenon of deformation compensation effect to achieve a good sealing effect, to overcome the general valve seal bad, water leakage and rust, the more effectively to save installation space. Can be widely used as the regulation and closure devices for water, sewage, construction, petroleum, chemical, food, pharmaceutical, textile, electric power, shipbuilding, metallurgy, energy systems and other fluid pipeline.

**主要零部件材料 Material of main parts**

序号No	名称Name	材质Material
1	阀体 Body	QT450、GGG50 球墨铸铁 Nodular cast iron
2	阀板 Disc	乙丙橡胶 EPDM rubber
3	螺母 Nut	黄铜 Brass
4	螺栓 Bolt	SS201
5	阀盖 Bonnet	QT450、GGG50 球墨铸铁 Nodular cast iron
6	对开环 Open ring	黄铜 Brass
7	O型圈 O-ring	乙丙橡胶 EPDM rubber
8	阀杆 Stem	20Cr13
9	上顶盖 Gland flange	QT450、GGG50 球墨铸铁 Nodular cast iron
10	手轮 Hand wheel	QT450、GGG50 球墨铸铁 Nodular cast iron
11	防尘罩 Dust cover	乙丙橡胶 EPDM rubber


**主要尺寸表 Main dimensions**

DN (mm)	D			D1			D2		L			H	N-φd			b			φ
	10	16	25	10	16	25	10	16	F4	5163	F5		10	16	25	10	16	25	
40	150	150	150	110	110	110	84	84	140	165	240	184	4-φ19	4-φ19	4-φ19	18	18	18	160
50	165	165	165	125	125	125	99	99	150	178	250	235	4-φ19	4-φ19	4-φ19	19	19	19	160
65	185	185	185	145	145	145	118	118	170	190	270	265	4-φ19	4-φ19	8-φ19	19	19	19	160
80	200	200	200	160	160	160	132	132	180	203	280	290	8-φ19	8-φ19	8-φ19	18-19	18-19	18-19	200
100	220	220	235	180	180	190	156	156	190	229	300	320	8-φ19	8-φ19	8-φ22	18-19	18-19	18-19	200
125	250	250	270	210	210	220	184	184	200	254	325	380	8-φ19	8-φ19	8-φ26	18	18	24	260
150	285	285	300	240	240	250	210	210	210	267	350	460	8-φ23	8-φ23	8-φ26	19	19	24	260
200	340	340	360	295	295	310	266	266	230	292	400	520	8-φ23	12-φ23	12-φ26	20	20	24	330
250	405	405	425	350	355	370	319	319	250	330	450	630	12-φ23	12-φ28	12-φ30	22	22	27	400
300	460	460	485	400	410	430	370	370	270	356	500	720	12-φ23	12-φ28	16-φ30	24	22	27	400
350	520	520	555	460	470	490	429	429	290	381	550	800	16-φ23	16-φ28	16-φ33	25	25	30	465
400	580	580	620	515	525	550	480	480	310	406	600	850	16-φ28	16-φ31	16-φ36	28	28	33	465
450	640	640	-	565	585	-	548	548	330	432	650	1000	20-φ28	20-φ31	-	29	29	-	465
500	715	715	-	620	650	-	609	609	350	457	700	1200	20-φ28	20-φ34	-	31	31	-	630
600	840	840	-	725	770	-	720	720	390	508	800	1350	20-φ31	20-φ38	-	33	33	-	630
700	895	910	-	840	840	-	800	800	430	610	-	1390	24-φ30	24-φ36	-	32	32	-	-
800	1015	1025	-	950	950	-	900	900	470	660	-	1520	24-φ34	24-φ40	-	35	35	-	-
900	1115	1125	-	1050	1050	-	1000	1000	510	711	-	2090	28-φ34	28-φ40	-	36	36	-	-
1000	1230	1255	-	1160	1170	-	1112	1112	550	811	-	1980	28-φ37	28-φ43	-	40	40	-	-

**简介 Brief**

明杆橡胶闸阀除具有暗杆橡胶闸阀的优点之外，并可以较直观的显示阀门开度。启闭迅速可靠，故常应用于自来水、污水、建筑、石油、化工、食品、医药、轻纺、电力、冶金、能源系统等流体管线上作为通断装置使用，一般安装于距地面以上位置。

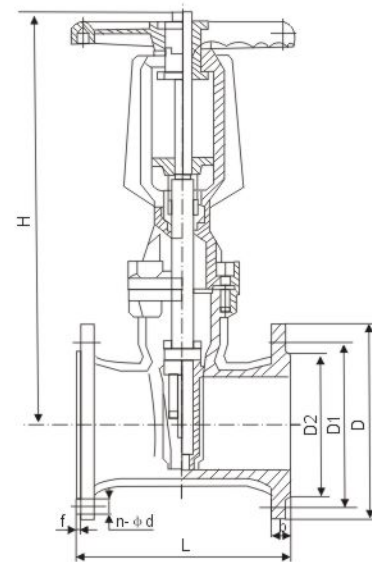
Rising stem rubber gate valve has the advantage of the hidden rod rubber gate valve, and can display the valve opening degree relatively directly. Open and close quickly and reliably, so often used in water, sewage, construction, petroleum, chemical industry, food, pharmaceutical, textile, electric power, metallurgy, energy systems, fluid lines as on-off device, usually installed at a distance above ground position.


**Z41X**
**性能规范 Technical data**

公称压力PN(MPa) Nominal pressure	1.0	1.6
强度试验(MPa) Strength test	1.5	2.4
密封试验(MPa) Seal test	1.1	1.76
适用温度℃ Working temperature	< 120	
适用介质 Suitable mediums	水、油、气及非腐蚀性介质 Water, oil, gas and non corrosive media	

**主要零部件材料 Material of main parts**

零件名称 Part name	材料 Material
阀体、阀盖 Valve body, bonnet	铸铁、球铁、铸钢 Cast iron, ductile iron, cast steel
阀杆 Valve stem	不锈钢 Stianless steel
阀杆螺母 Stem nut	铜合金 Brass alloy
密封圈 Seal ring	丁腈橡胶、三元乙丙 NBR, EPDM
手轮 Hand wheel	可锻铸铁 Malleable iron


**主要尺寸表和重量 Main dimensions and weight**

DN (mm)	L	H	D		D1		D2		n-φd		b		f	重量(kg) Weight
			1.0	1.6	1.0	1.6	1.0	1.6	1.0	1.6	1.0	1.6		
40	165	300	150	150	110	110	84	84	4-φ18	4-φ18	19	19	3	6.5
50	178	340	165	165	125	125	99	99	4-φ18	4-φ18	20	19	3	8
65	190	370	185	185	145	145	118	118	4-φ18	4-φ18	20	19	3	12
80	203	410	200	200	160	160	132	132	8-φ18	8-φ18	22	19	3	20
100	229	450	220	220	180	180	156	156	8-φ18	8-φ18	24	19	3	26
125	254	480	250	250	210	210	184	184	8-φ18	8-φ18	26	19	3	35
150	267	550	285	285	240	240	211	211	8-φ23	8-φ23	26	19	3	48
200	229	630	340	340	295	295	266	266	8-φ23	12-φ23	26	20	3	75
250	330	750	395	405	350	355	319	319	12-φ23	12-φ28	28	22	3	120
300	356	820	445	460	400	410	370	370	12-φ23	12-φ28	28	24.5	4	165
350	381	980	505	520	460	470	429	429	16-φ23	16-φ28	30	26.5	4	230
400	406	1010	565	580	515	525	480	480	16-φ28	16-φ31	32	28	4	270
450	432	1270	615	640	565	585	530	548	20-φ28	20-φ31	32	30	4	450
500	457	1270	670	715	620	650	582	609	20-φ28	20-φ34	34	31.5	4	590
600	508	1390	780	840	725	770	682	720	20-φ31	20-φ37	36	36	5	619

**简介 Brief**

大口径闸阀采用最优质的球墨铸铁或碳钢铸造而成，具有强度高、重量轻，几何尺寸精确的特点，闸板具有互换的功能，加装螺旋伞齿轮省力机构，一人可非常轻松自如地开关，也可根据用户的要求加装开闭指示柱，或电动、气动系统、市政建设及矿山、冶金、电厂等行业。

Large diameter gate valve using the highest quality ductile iron or carbon steel casting, high strength, light weight, precise geometric dimensions, ram interchangeable features, the installation of spiral bevel gear and effort institutions, one can very easily the ground switch can also be based on the user's requirements, installation of opening and closing directions column, or electric, pneumatic systems, municipal construction and mining, metallurgy, power plants and other industries.

**主要零部件材料 Material of main parts**

零件名称 Part name	材料 Material
阀体 Body	铸铁、球铁、铸钢 Gray iron, ductile iron, cast steel
闸板 Gate	球墨铸铁+三元乙丙或丁腈橡胶 Ductile Iron + EPDM or NBR
内六角螺栓 Allen bolts	碳化处理 Carbonization process
密封圈 Seals	丁腈橡胶、三元乙丙 NBR, EPDM
阀盖 Bonnet	铸铁、球铁、铸钢 Gray iron, ductile iron, cast steel
阀杆 Stem	不锈钢 Stainless steel
O型密封圈 O-ring seals	丁腈橡胶 NBR
止推轴承 Thrust bearings	锡青铜 Tin bronze
螺栓 Bolt	碳钢、合金钢 Carbon steel, alloy steel
压盖 Gland	球墨铸铁、铸钢 Ductile iron, cast steel
防尘罩 Dust Cover	丁腈橡胶 NBR
手轮 Hand wheel	可锻铸铁 Malleable iron



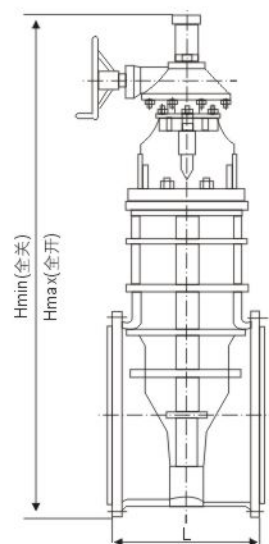
手轮



伞齿轮



电动


**主要尺寸表 Main dimensions**

DN (mm)	500	600	700	800	900	1000	1200
L	457	508	660	720	780	840	960
Hmin (全关)	1480	1665	2200	2800	2800	3000	3000
Hmax (全开)	1650	1900	2350	2950	2950	3150	3150

**简介 Brief**

锁闭式橡胶闸阀是在原橡胶闸阀基础上加装磁性专用锁，适用于供热、供水等收费管网，可随时对用户进行停水、停热，防止因用户故意拖欠费用所造成不必要的损失。在重要管网系统或重要设备上安装此阀，可避免非操作人员误开或误关阀门，造成事故的发生。可用于城镇给排水管网、小区供水管理、小区供暖管理、园林绿化、油品等行业。

Locking type rubber gate valve is on the basis of the original rubber valve installed magnetic special lock, suitable for heating, water supply and charging network, may at any time to the user for suspension of water supply, heating is stopped to prevent unnecessary losses caused due to the deliberate arrears of the cost of the user. Install the valve on the important pipe network system or important equipment, which can avoid the mistake of opening or closing the valve, causing the accident. Can be used for urban water supply and drainage pipe network, residential water management, district heating management, landscaping, oil and other industries.

**性能规范 Technical data**

公称压力PN(MPa) Nominal pressure	1.0	1.6
强度试验(MPa) Strength test	1.5	2.4
密封试验(MPa) Seal test	1.1	1.76
适用温度℃ Working temperature	≤ 120	
适用介质 Suitable mediums	水、油、气及非腐蚀性介质 Water, oil, gas and non corrosive media	

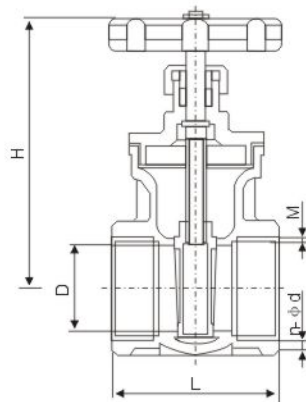
**主要零部件材料 Material of main parts**

零件名称 Part name	材料 Material
阀体、阀盖 Valve body, bonnet	铸铁、球铁、铸钢 Cast iron, ductile iron, cast steel
阀杆 Valve stem	不锈钢 Stainless steel
阀杆螺母 Stem nut	黄铜 Brass
密封圈 Seal ring	丁腈橡胶、高温硫化硅橡胶 NBR, HTV
专用扳手 Special wrench	碳钢 Carbon steel

**主要尺寸表和重量 Main dimensions and weight**

DN (mm)	L	H	D		n-φd		M		重量(kg) Weight
			1.0	1.6	1.0	1.6	1.0	1.6	
32	140	170	100	100	4-φ19	4-φ19	M16	M16	5.5
40	165	175	110	110	4-φ19	4-φ19	M16	M16	6.5
50	178	185	125	125	4-φ19	4-φ19	M16	M16	8
65	190	230	145	145	4-φ19	4-φ19	M16	M16	12
80	203	300	160	160	8-φ19	8-φ19	M16	M16	20
100	229	340	180	180	8-φ19	8-φ19	M16	M16	26
125	254	395	210	210	8-φ19	8-φ19	M16	M16	35
150	267	430	240	240	8-φ23	8-φ23	M20	M20	48
200	292	520	295	295	8-φ23	12-φ23	M20	M20	75
250	330	590	350	355	12-φ23	12-φ28	M20	M24	120
300	356	700	400	410	12-φ23	12-φ28	M20	M24	165
350	381	780	450	470	16-φ23	16-φ28	M20	M24	230
400	406	860	515	525	15-φ28	16-φ31	M24	M27	270
500	457	1100	520	650	20-φ28	20-φ34	M24	M30	450


**BZ45X**
**SBZ45X**

**BZ15X**


### 简介 Brief

信号闸阀常应用于自动喷水消防管路系统，来临界控供水管路，可以远地指示阀门开度。升杆式闸阀及附开度指示闸阀也经常应用于消防系统，如果闸阀安装位置离地面较高时，一般使用升杆闸阀，可以明显指示闸阀开度，若安装位置较低。则需用付开度指示闸阀。

Signal gate valve often used in automatic sprinkler fire piping system to the critical control and water supply pipes, remote indication of valve opening. Rising Stem Gate Valve and attached to the opening direction gate valve are often used in fire protection system, if the gate valve installation location away from the high ground, usually I lever gate valve, it is clear indication the valve opening, if the installation position of the lower. Gate valve is required to pay to open instructions.

### 性能规范 Technical data

公称压力PN(MPa) Nominal pressure	1.0	1.6
强度试验(MPa) Strength test	1.5	2.4
密封试验(MPa) Seal test	1.1	1.76
适用温度℃ Working temperature	≤80	
适用介质 Suitable mediums	水、油、气及非腐蚀性介质 Water, oil, gas and non corrosive media	

### 主要零部件材料 Material of main parts

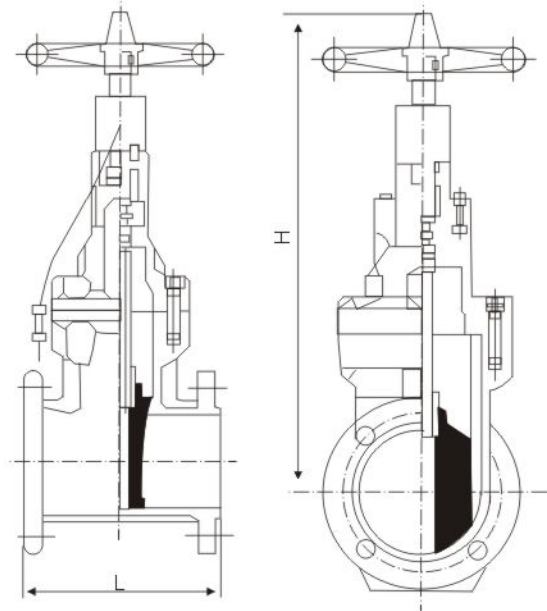
零件名称 Part name	材料 Material
阀体、阀盖 Valve body, bonnet	铸铁、球铁、铸钢 Cast iron, ductile iron, cast steel
阀杆 Valve stem	不锈钢 Stianless steel
阀瓣 Valve disc	球铁+丁腈橡胶或三元乙丙 Ductile iron+NBR or EPDM
密封圈 Seal ring	丁腈橡胶、三元乙丙 NBR,EPDM
螺栓 Fixing	碳钢、不锈钢 Carbon steel, stianless steel
铜螺母 Copper nut	锡青铜 Bronze
手轮 Hand wheel	可锻铸铁 Malleable iron

### 主要尺寸表 Main dimensions

DN (mm)	50	65	80	100	125	150	200	250	300	350	400	450	500	600
L	178	190	203	229	254	267	292	330	356	381	406	432	457	508
H	732	773	820	870	915	1003	1110	1263	1360	1550	1610	1900	1938	2130



XZ45X(RVHX)



**简介 Brief**

沟槽暗杆闸阀是沟槽闸阀的一种，它具有开关轻巧、密封可靠、弹性记忆佳及使用寿命长等显著优点。沟槽闸阀重量轻，本体采用球墨铸铁制成，重量较传统闸阀重量减轻约20%-30%，安装维修方便。广泛应用于自来水、污水、市政建筑等流体管线上作为通断设备使用。

Grooved non-rising stem gate valve is a trench gate. It has a light switch, reliable sealing, good elastic memory and long service life and other significant advantages. Trench gate light weight, body made of ductile iron, lighter in weight than conventional valve about 20%-30%, easy installation and maintenance. Widely used in water, sewage, municipal buildings and other fluid pipelines as the use of off equipment.

**性能规范 Technical data**

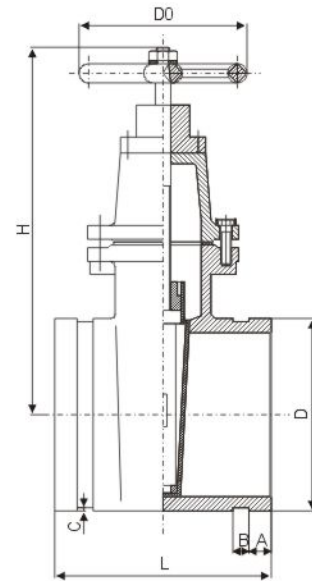
公称压力PN(MPa) Nominal pressure	1.6
强度试验(MPa) Strength test	2.4
密封试验(MPa) Seal test	1.76
适用温度℃ Working temperature	< 80
适用介质 Suitable mediums	水、油、气及非腐蚀性介质 Water, oil, gas and non corrosive media

**主要零部件材料 Material of main parts**

零件名称 Part name	材料 Material
阀体、阀盖 Valve body, bonnet	球铁 Ductile iron
阀杆 Valve stem	不锈钢 Stainless steel
阀杆螺母 Stem nut	铝青铜 Aluminum bronze
密封圈 Seal ring	NBR、EPDM
手轮 Hand wheel	可锻铸铁 Malleable iron

**主要尺寸表和重量 Main dimensions and weight**

DN(mm)	L	A	B	D	C	H	D0	重量(kg) Weight
50	140	14.5	9.5	60	2.2	164	180	4.5
65	145	14.5	9.5	76	2.2	192	180	6
80	150	14.5	9.5	89	2.2	214	200	9.5
100	160	16	9.5	114	2.2	267	200	11
125	170	16	9.5	140	2.2	296	220	19.5
150	180	16	9.5	165	2.2	325	220	30
200	190	19	13	219	2.5	380	240	36
250	200	19	13	273	2.5	425	240	71
300	240	19	13	325	3.3	455	280	108
350	254	25	13	377	3.3	470	280	143
400	267	25	13	426	5.5	500	320	262
450	275	25	13	480	5.5	620	320	410
500	325	25	13	530	5.5	750	400	590
600	355	25	13	630	5.5	880	400	619


**Z85X**




### 简介 Brief

沟槽明杆闸阀是沟槽闸阀的一种，它具有开关轻巧、密封可靠、弹性记忆佳及使用寿命长等显著优点。沟槽闸阀重量轻，本体采用球墨铸铁制成，重量较传统闸阀重量减轻约20%-30%，安装维修方便。广泛应用于自来水、污水、市政建筑等流体管线上作为通断设备使用。

The gate valve is a groove gate valve, it has a light switch, reliable sealing, flexible memory and long life and other significant advantages. The groove gate valve is light weight, the body is made of ductile iron, and the weight is less than that of the traditional gate valve, and the weight is about 20%-30%. Widely used in tap water, sewage, municipal construction and other fluid pipeline as on-off device.

### 性能规范 Technical data

公称压力PN(MPa) Nominal pressure	1.6
强度试验(MPa) Strength test	2.4
密封试验(MPa) Seal test	1.76
适用温度℃ Working temperature	≤ 80
适用介质 Suitable mediums	水、油、气及非腐蚀性介质 Water, oil, gas and non corrosive media

### 主要零部件材料 Material of main parts

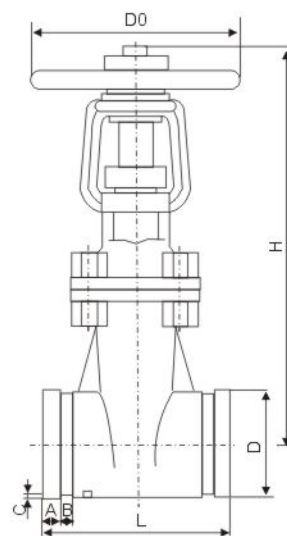
零件名称 Part name	材料 Material
阀体、阀盖 Valve body, bonnet	球铁 Ductile iron
阀杆 Valve stem	不锈钢 Stainless steel
阀杆螺母 Stem nut	铝青铜 Aluminum bronze
密封圈 Seal ring	NBR, EPDM
手轮 Hand wheel	可锻铸铁 Malleable iron

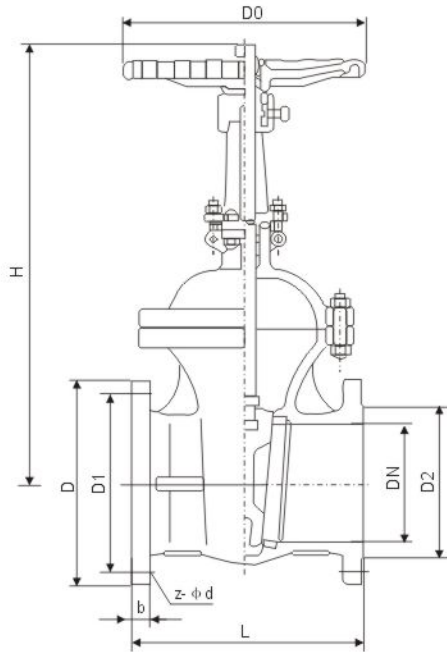
### 主要尺寸表和重量 Main dimensions and weight

DN(mm)	L	A	B	D	C	H	D0	重量(kg) Weight
50	140	14.5	9.5	60	2.2	164	180	4.5
65	145	14.5	9.5	76	2.2	192	180	6
80	150	14.5	9.5	89	2.2	214	200	9.5
100	160	16	9.5	114	2.2	267	200	11
125	170	16	9.5	140	2.2	296	220	19.5
150	180	16	9.5	165	2.2	325	220	30
200	190	19	13	219	2.5	380	240	36
250	200	19	13	273	2.5	425	240	71
300	240	19	13	325	3.3	455	280	108
350	254	25	13	377	3.3	470	280	143
400	267	25	13	426	5.5	500	320	262
450	275	25	13	480	5.5	620	320	410
500	325	25	13	530	5.5	750	400	590
600	355	25	13	630	5.5	880	400	619



Z81X




**Z41H**

**特点 Features**

- 1、结构紧凑、设计合理、阀门刚性好，通道流畅阻系数小。
  - 2、密封面采用不锈钢和硬质合金，使用寿命长。
  - 3、采用柔性石墨填料、密封可靠、操作轻便灵活。
  - 4、驱动方式分手动、电动、气动、齿轮传动、结构型式：弹性楔式单闸板、刚性楔式单闸板和双闸板型式。
  - 5、广泛适用于石油化工、火力发电厂等油品、水蒸汽管路上作接通或截断管路中介质的启闭装置。
- 1、 Compact structure, rational design of rigid valve, and channel fluid flow resistance coefficient.
  - 2、 Sealing surface using stainless steel and cemented, long service life.
  - 3、 The use of flexible graphite packing, sealing reliable, flexible and lightweight.
  - 4、 Sub-hand drive, electric, pneumatic, gear transmission, structure type: a single flexible wedge gate, Rigid wedge and the single-gate type 双闸板.
  - 5、 Widely used in petrochemical industry, coal-fired power plants such as oil, water, steam pipe on the road for access or cut-off Line in the gate dielectric devices.

**性能规范 Technical data**

公称压力 PN(MPa) Nominal Pressure	试验压力 Testing Pressure (MPa)			
	壳体 Shell	密封(液) Sealing (Liquid)	密封(气) Sealing (Gas)	上密封 On sealing
1.6	2.4	1.8	0.6	1.8
2.5	3.8	2.8	0.6	2.8
4.0	6.0	4.4	0.6	4.4

**适用范围 Applicable range**

壳体材料 Shell material	适用介质 Suitable medium	适用温度℃ Suitable temperature
碳素钢(C型) Carbon steel	水、蒸汽、油品 Water, steam, oil	<425
铬镍钛钢(P型) Ti-Cr-Ni steel	硝酸类 Nitric acid	<200
铬镍钼钛钢(R型) Ti-Cr-Ni-Mo steel	醋酸类 acetic acid	<200
铬钼钢(I型) Cr-Mo steel	水、蒸汽、油品 Water, steam, oil	<500

**主要零部件材料 Material of main parts**

阀体、阀盖 Valve body, valve cover	闸板、阀座 Gate board, seat	阀杆 Stem	阀杆螺母 Stem nut	填料 Padding	手轮 Handwheel
碳素钢 Carbon steel	优质碳钢+硬质合金或不锈钢 Quality carbon steel+ carbide alloy or stainless steel	铬不锈钢 Chrome stainless steel	铝青铜 Aluminum bronze	石墨石棉盘根 Graphite asbestos packing	可锻铸铁 球墨铸铁 Malleable iron ductile Iron
铬镍钛钢 Ti-Cr-Ni steel	不锈钢、不锈钢+硬质合金 stainless steel, stainless steel or carbide alloy	铬镍钛不锈钢 Ti-Cr-Ni stainless steel	铝青铜 Aluminum bronze	浸聚四氟乙烯 Baptist PTFE	可锻铸铁 球墨铸铁 Malleable iron ductile Iron
铬镍钼钛钢 Ti-Cr-Ni-Mo steel	不锈钢、不锈钢+硬质合金 stainless steel, stainless steel or carbide alloy	铬镍钛不锈钢 Ti-Cr-Ni stainless steel	铝青铜 Aluminum bronze	石棉盘根 Asbestos packing	可锻铸铁 球墨铸铁 Malleable iron ductile Iron
铬钼钢 Cr-Mo steel	合金钢+硬质合金 Alloy Steel+carbide alloy	铬钼钼钢 318(抗硫系列) Al-Cr-Mo steel 318 (anti-S series)	铝青铜 Aluminum bronze	柔性石墨、填充四氟(抗硫系列) Flexible Graphite Filled PTFE (anti-S series)	可锻铸铁 球墨铸铁 Malleable iron ductile Iron

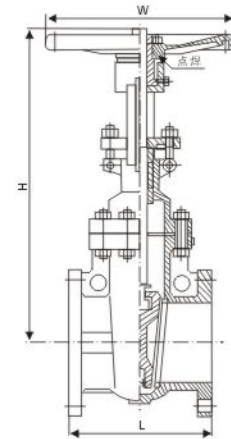
主要尺寸表和重量 Main dimensions and weight

PN (MPa)	DN (mm)	L	D	D1	D2	D6	b	f	f2	N-φd	H	H1	D0	重量(Kg) Weight
1.6	15	130	95	65	45		14	2		4-φ14	220	240	120	5
	20	150	105	75	55		14	2		4-φ14	255	284	140	6.5
	25	160	115	85	65		14	2		4-φ14	275	303	160	9
	32	180	135	100	78		16	2		4-φ18	280	321	180	12
	40	200	145	110	85		16	3		4-φ18	300	352	200	26.5
	50	250	160	125	100		16	3		4-φ18	358	438	240	29
	65	265	180	145	120		18	3		4-φ18	375	450	240	33
	80	280	195	160	135		20	3		8-φ18	433	528	280	45
	100	300	215	180	155		20	3		8-φ18	502	620	320	63
	125	325	245	210	185		22	3		8-φ18	612	753	360	108
	150	350	280	240	210		24	3		8-φ23	676	847	360	134
	200	400	335	295	265		26	3		12-φ23	820	1039	400	192
	250	450	405	355	320		40	3		12-φ25	969	1245	450	273
	300	500	460	410	375		40	3		12-φ25	1142	1472	560	379
	350	550	520	470	435		34	4		16-φ25	1280	1450	640	590
	400	600	580	525	485		36	4		16-φ30	1452	1887	640	850
450	650	640	585	545		40	4		20-φ30	1541	2011	720	907	
500	700	705	650	608		44	4		20-φ30	1676	2181	720	958	
600	800	840	770	718		48	5		20-φ41	1874	2346	800	1112	
2.5	15	130	95	65	45		16	2		4-φ14	220	240	120	5.5
	20	150	105	75	55		16	2		4-φ14	255	284	140	7
	25	160	115	85	65		16	2		4-φ14	275	303	160	11
	32	180	135	100	78		18	2		4-φ18	280	321	180	14
	40	200	145	110	85		18	3		4-φ18	300	352	200	30
	50	250	160	125	100		20	3		4-φ18	358	438	240	34
	65	265	180	145	120		22	3		8-φ18	375	450	240	36
	80	280	195	160	135		22	3		8-φ18	433	528	280	50
	100	300	230	190	160		24	3		8-φ23	502	620	320	69
	125	325	270	220	188		28	3		8-φ25	612	753	360	116
	150	350	300	250	218		30	3		8-φ25	676	847	360	141
	200	400	360	310	278		34	3		12-φ25	820	1039	400	192
	250	450	425	370	332		36	3		12-φ30	969	1245	450	207
	300	600	485	430	390		40	4		16-φ30	1142	1472	560	400
	350	550	550	490	448		44	4		16-φ34	1280	1450	640	631
	400	600	610	550	505		48	4		16-φ34	1452	1887	640	900
450	650	660	600	555		50	4		20-φ34	1541	2011	720	1013	
500	700	730	660	610		52	4		20-φ41	1676	2181	720	1166	
600	800	840	770	718		56	5		20-φ41	1874	2346	800	1258	
4.0	20	150	105	75	55	51	16	2	4	4-φ14	256	285	140	8
	25	160	115	85	65	58	16	2	4	4-φ14	275	305	160	9.3
	32	180	135	100	78	66	18	2	4	4-φ18	287	322	180	12
	40	200	145	110	85	76	18	3	4	4-φ18	323	369	200	16.5
	50	250	160	125	100	88	20	3	4	4-φ18	372	440	280	29
	65	280	180	145	120	110	22	3	4	8-φ18	395	473	280	39
	80	310	195	160	135	121	22	3	4	8-φ18	457	552	320	52
	100	350	230	190	160	150	24	3	4.5	8-φ23	552	671	360	80
	125	400	270	220	188	176	28	3	4.5	8-φ25	634	726	400	127
	150	450	300	250	218	204	30	3	4.5	8-φ25	708	883	400	154
	200	550	375	320	282	260	38	3	4.5	8-φ30	858	1086	450	263
	250	650	445	385	345	313	42	3	4.5	12-φ34	1015	1298	560	368
	300	750	510	450	408	364	46	4	4.5	12-φ34	1203	1535	640	547
	350	850	570	510	465	422	52	4	5	16-φ34	1341	1678	640	679
	400	950	655	585	535	474	58	4	5	16-φ41	1492	1903	720	953

## 产品简介 Product introduction

法兰闸阀具有结构合理、启闭灵活、密封性能可靠、造型美观、耐磨、耐高温、耐腐蚀、使用寿命长等特点，适用于石油、化工、制药、化肥、电力行业等各种工矿的管路上，作切断或接通路用。

Flange gate valve has the advantages of reasonable structure, flexible opening and closing, reliable sealing performance, handsome in appearance, wear resistance, high temperature resistance, corrosion resistance, long life and other characteristics for in petroleum, chemical, pharmaceutical, chemical fertilizer, power industry and other various mining pipe, cut off or connected to the pipeline.


**Z40H**


## 性能规范 Technical data

设计制造 Design and manufacture		API 6D	
结构长度 Length of the structure		ASME B 16.10	
法兰标准 Flange standard		ASME B 16.5	
对焊端连接 Buttwelding ends		ASME B 16.25	
检验与试验 Inspection and test		API 598	
公称压力 Nominal pressure(Class)		150	300
试验压力 Testing pressure	壳体试验 Shell test	3.0	7.5
	高压密封 High pressure seal test	2.2	5.5
	低压密封 Low pressure seal test	0.4~0.7	
适用温度 Suitable temperature		≤ 425 °C	
适用介质 Suitable medium		水、蒸汽、石油硝酸、醋酸、尿素等 Water, steam, oil, nitric acid, acetic acid, urea etc.	

## 主要零部件材料 Material of main parts

阀体、阀盖、闸板 Body, bonnet, gate plate	ZG1Cr18Ni9TiCF8(304), CF3(304L), ZG1Cr18Ni12Mo2Ti, CF8M(316)
密封面 Seal face	本体(W)、硬质合金(Y) Bulk (W), cemented carbide (Y)
阀杆 Stem	1Cr18Ni9Ti, 0Cr19Ni9(304), 2Cr13, 00Cr19Ni11(304L), 1Cr18Ni12Mo2Ti, 0Cr17Ni12Mo2(316)
填料 Packing	柔性石墨 Flexible graphite
垫片 Gasket	不锈钢缠绕垫片 Stainless steel wound gasket

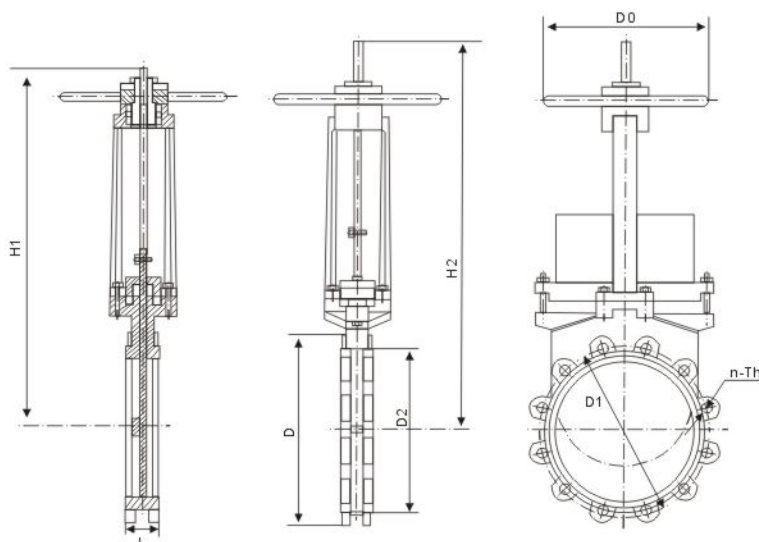
## 主要尺寸表和重量 Main dimensions and weight

Class (Lb)	DN		L(RF)	L(RW)	L(RJ)	H	W	重量 Weight (kg)		扭矩 (N.m)	Cv
	mm	inch						RF	BW		
150	40	1 1/2"	165	165	178	386	250	24	21	12	-
	50	2"	178	216	190	391	250	27	23	13	-
	65	2 1/2"	190	241	203	408	250	37	33	13	-
	80	3"	203	283	216	457	250	40	35	15	710
	100	4"	229	305	241	538	250	52	47	27	1300
	150	6"	267	403	279	693	350	90	84	36	3100
	200	8"	292	419	305	863	350	145	137	63	5720
	250	10"	330	457	343	1036	450	225	207	84	8940
	300	12"	356	502	368	1130	450	310	253	131	13350
	350	14"	381	572	394	1272	610	445	376	151	16275
	400	16"	406	610	419	1447	610	540	440	235	21580
	450	18"	432	680	445	1701	720	800	722	285	28720
	500	20"	457	711	470	1795	720	990	863	341	35760
	600	24"	508	813	521	2189	720	1600	1519	602	52165
	650	26"	559	864	-	2387	860	1850	1755	-	63500
	700	28"	610	914	-	2590	860	2100	1995	-	74800
	750	30"	610	914	622	2819	860	2700	2404	1079	86235
800	32"	711	965	-	2870	860	3100	2840	-	103000	
900	36"	711	1016	724	2997	860	3950	3690	1497	129500	
1000	40"	813	1067	-	3302	1020	4650	-	-	175860	
1050	42"	813	1143	-	3479	1020	5100	-	-	223300	
1200	48"	1067	1371	-	3962	1020	6500	-	-	335500	

**特点和用途 Features and use**

- 1、该系列规范、阀门适用于污水处理、化学工业、造纸制浆业及矿业洗煤业，对流通介质为液体的悬浮液、浆液等管线中起到截止及开通作用。
- 2、阀门采用单侧强制密封，不但密封可靠，而且可排除沉积达到密封要求。阀体可采用铸铁、碳钢、不锈钢及聚四氟乙烯等材料，以满足耐蚀、抗磨等不同要求。
- 3、此结构长度短、重量轻。安装及维修都很方便。
- 4、适用温度：-10℃~120℃
- 5、公称压力(0.25MPa)、0.6MPa、1.0MPa。

1. This series standard, the valve are suitable for the sewage treatment, the chemical industry, the manufacture paper pulp industry and the mining industry coal washing industry, to circulates the medium for pipeline in and so on liquid suspending liquid, size plays cuts off and clears the role.
2. Valves use the single side to force to seal, not only seals reliably, moreover may remove the deposition to meet the seal requirements. The valve body may use material and so on cast iron, carbon steel, stainless steel and teflon, satisfiedly resists corrosion, anti-rubs and so on the different request.
3. This structural length short, the weight is light. The installment and the service very is all convenient.
4. Application temperature: -10℃ -120℃
5. Nominal pressure (0.25MPa), 0.6MPa, 1.0MPa.


**PZ73X**

**主要尺寸表和重量 Main dimensions and weight**

PN (MPa)	DN (mm)	L	D	D1	D2	D0	n-Th	d	H1	H2	重量(kg) Weight
1.0	50	48	165	125	99	180	4-M16	18	290	350	10
	65	48	185	145	118	200	4-M16	18	310	375	11
	80	51	200	160	132	220	8-M16	18	350	430	13.5
	100	51	220	180	156	240	8-M16	18	405	505	15.5
	125	57	250	210	184	260	8-M16	18	450	575	23.5
	150	57	285	240	212	280	8-M20	23	510	660	29
1.6	200	70	340	295	266	300	8-M20/12-M20	23	610	810	43/43.5
	250	70	395/405	350/355	319	340	12-M20/12-M24	23/27	765	1015	67.5/68
	300	76	445/460	400/410	370	380	12-M20/12-M24	23/27	820	1120	100.5/101
	350	76	505/520	460/470	430	400	16-M20/16-M24	23/27	970	1320	126/127
	400	89	565/580	515/525	480	450	16-M24/16-M27	27/30	1024	1424	176.2/177
	450	89	615/640	565/585	530/548	530	20-M24/20-M27	27/30	1235	1685	289/290
	500	114	670/715	620/650	582/609	600	20-M24/20-M30	27/33	1286	1786	380/382
	600	114	780/840	725/770	682/720	600	20-M27/20-M33	30/36	1486	2086	498.6/500

注：表中“/”左面尺寸为PN1.0MPa尺寸，“/”右面尺寸为PN1.6MPa尺寸。  
 Note: The table “/” left size PN1.0MPa size, “/” right size PN1.6MPa size.