



莱科阀门
LIKE VALVE

止回阀系列



CHECK VALVE SERIES



简介 Brief

对夹式蝶型止回阀采用国外先进结构设计,符合有关国际标准系属节能型产品。此产品止回性能好、安全、可靠、流阻小,主要适用于石油、化工、食品、医药、轻纺、造纸、给排水、冷冻及能源等系统,作为单向阀使用。

Wafer type check valve a save-energy product, is manufactured based on the foreign advanced technology and in accordance with relative international standards. This product is featured by excellent retaining performance, high safety and reliability and low flow resistance. it is suitable for systems in the industries of petrochemical, food processing, medicine, textile, paper-making, water supply and drainage, metallurgy, energy and light industry etc used as a check valve in one way.

性能规范 Technical data

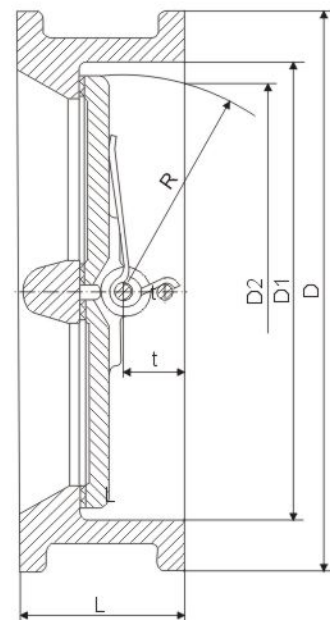
| | | | |
|----------------------------------|------------|--|-----------------|
| 公称通径 DN(mm) Nominal diameter | | 50(2")~700(28") | 50(2")~450(18") |
| 公称压力 PN(MPa) Nominal pressure | | 1.0 | 1.6 |
| 试验压力 (MPa) Testing pressure | 壳体 Shell | 1.5 | 2.4 |
| | 密封 Sealing | 1.1 | 1.76 |
| 适用温度 °C Suitable temperature | | | |
| 适用介质 Suitable mediums | | 淡水、污水、空气、蒸气、食品、药品、各种油类、酸类等 Fresh water, sewage, air, steam, food, medicine, oils, acids, etc. | |

主要零部件材料 Material of main parts

| 阀体 Body | | 阀板 Disc | | 转轴 Stem | 橡胶座 Rubber gasket | | | 弹簧 Spring |
|------------------------|------------|--|------------|---------------------------|----------------------|------------|---|---------------------------|
| 材料名称 Name | 代号 Code | 材料名称 Name | 代号 Code | 材料名称 Name | 材料名称 Name | 代号 Code | 适用温度 °C Working temp | 材料名称 Name |
| 灰铸铁 Cast Iron | Z | 电镀球墨 铸铁 Plated ductile Iron | 1 | 不锈钢 Stainless steel | 乙丙橡胶 EPDM | X3 | -46~+121 短时 Intermittence -50~+150 | 不锈钢 Stainless steel |
| 球墨铸铁 Ductile Iron | Q | 铝青铜 Aluminum bronze | 2 | | 氯丁橡胶 Neoprene | X4 | -29~+99 短时 Intermittence -35~+113 | |
| 碳钢 Carbon steel | C | ZG1Cr13Ni9Ti 不锈钢 Stainless steel | | | 丁腈橡胶 NBR | X5 | -23~+82 短时 Intermittence -23~+93 | |
| 不锈钢 Stainless steel | P | CF8M 不锈钢 Stainless steel | 5 | | 氯丁橡胶 Neoprene | X7 | -23~+150 | |
| | | CF8M 不锈钢 Stainless steel | 7 | | | | | |


DH77X
主要尺寸表和重量 Main dimensions and weight

| DN | | D | D1 | D2 | L | R | t | 重量 Weight (kg) |
|-----|------|------------|-----|-------|-----|-------|----|----------------------|
| mm | inch | | | | | | | |
| 50 | 2" | 107 | 65 | 43.3 | 43 | 28.2 | 19 | 1.5 |
| 65 | 2.5" | 127 | 80 | 60.2 | 46 | 36.1 | 20 | 2.4 |
| 80 | 3" | 142 | 94 | 66.4 | 64 | 43.4 | 28 | 3.6 |
| 100 | 4" | 162 | 117 | 90.8 | 64 | 52.8 | 27 | 5.7 |
| 125 | 5" | 192 | 145 | 116.9 | 70 | 65.7 | 30 | 7.3 |
| 150 | 6" | 218 | 170 | 144.6 | 76 | 78.6 | 31 | 9.0 |
| 200 | 8" | 273 | 224 | 198.2 | 89 | 104.4 | 33 | 17 |
| 250 | 10" | 328 | 265 | 233.7 | 114 | 127 | 50 | 26 |
| 300 | 12" | 378 | 310 | 283.9 | 114 | 148.3 | 43 | 42 |
| 350 | 14" | 438 | 360 | 332.9 | 127 | 172.4 | 45 | 55 |
| 400 | 16" | 489 | 410 | 381.0 | 140 | 197.4 | 52 | 75 |
| 450 | 18" | 539 555 | 450 | 419.9 | 152 | 217.8 | 58 | 101 107 |
| 500 | 20" | 594 | 505 | 467.8 | 152 | 241 | 58 | 111 |
| 600 | 24" | 690 | 624 | 572.6 | 178 | 295.4 | 73 | 172 |
| 700 | 28" | 800 | 720 | 680 | 229 | 354 | 98 | 219 |



简介 Brief

对夹双瓣蝶形止回阀用于防止介质倒流，可适用于水、蒸汽、油品、硝酸、强氧化性介质及尿素等多种介质。

Wafer butterfly check valve is used to prevent double-flap back media, suitable for water, steam, oil, nitric acid, strong oxidizing medium and the urea and other media.

特点 Features

1. 对夹双瓣蝶形止回阀结构长度短，其结构长度只有传统法兰止回阀的1/4~1/8;
2. 体积小，重量轻，其重量只有传统法兰止回阀的1/4~1/20;
3. 对夹双瓣蝶形止回阀阀瓣关闭快速，水锤压力小;
4. 水平管道和垂直管道都可以使用，安装方便;
5. 对夹双瓣蝶形止回阀流到通畅，流体阻力小;
6. 动作灵敏，密封性能好;
7. 对夹双瓣蝶形止回阀阀瓣行程短，冲击力小;
8. 整体结构简单紧凑，造型美观;
9. 使用寿命长，可靠性高。

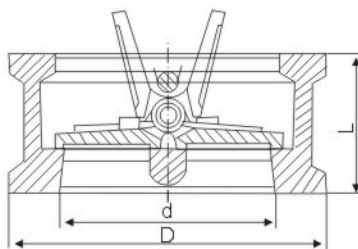
1. Double valve butterfly valve on the folder structure length of the short length of its structure, only the traditional flange check valve 1 / 4 to 1 / 8;
2. Small size, light weight, its weight is only the traditional flange check valve 1 / 4 to 1 / 20;
3. Wafer butterfly valve double valve valve valve quickly, the water hammer pressure is small;
4. Horizontal pipe and vertical pipe can be used, easy installation;
5. Wafer butterfly valve double valve flow smooth, fluid resistance is small;
6. Movement sensitive, good sealing performance;
7. On the folder double valve butterfly valve disc travel is short, the impact force is small;
8. The overall structure simple and compact, attractive appearance;
9. Long life and high reliability.

性能规范 Technical data

| 零件名称 Part name | 材料 Material | | | | | | | | |
|---|------------------------------|---------------|---|------------------|---------------------------|--------------------|---|--|--|
| 阀体 Valve body | WCB | ZG1Gr-18Ni9Ti | CF8 | CF3 | ZG1Gr-18Ni12Mo2Ti | CF8M | CF3M | | |
| 阀瓣、阀座、弹簧 Valve disc, Valve seat, spring | 2Cr13 | 1Gr18Ni9Ti | 0Gr18Ni9(304) | 00Gr18Ni10(304L) | 1Gr18Ni-12Mo2Ti | 0Gr18Ni12-Mo2(310) | 00Gr17Ni14-Mo2(316L) | | |
| 适用介质 Suitable Mediums | 水、蒸汽、油品 Water, steam, oil | | 硝酸等腐蚀性介质 Nitric acid and other corrosive media | | 强氧化性介质 Chronic Effects | | 醋酸等腐蚀性介质 Acetic acid and other corrosive media | | 尿素等腐蚀性介质 Urea and other corrosive media |
| 适用温度°C Suitable Temperature | <450 | | | <200 | | | | | |



H76W



主要尺寸表和重量 Main dimensions and weight

| PN (MPa) | DN (mm) | L | D | D3 | D2 | 重量(kg) Weight | 螺栓孔中心圆直径 Center bolt hole circle diameter D1 | 螺栓数量 bolts number | 螺栓直径 Bolt diameter d | 螺栓长度L1 Bolt length L1 |
|----------|---------|------|------|------|------|------------------|---|----------------------|-------------------------|--------------------------|
| 1.0 | 50 | 60 | 108 | 56 | 51 | 2 | 125 | 4 | M16 | 150 |
| | 65 | 67 | 128 | 73 | 65 | 3 | 145 | 4 | M16 | 155 |
| | 80 | 73 | 142 | 88 | 80 | 4 | 160 | 8 | M16 | 160 |
| | 100 | 73 | 162 | 108 | 102 | 6 | 180 | 8 | M16 | 165 |
| | 125 | 86 | 192 | 132 | 127 | 8 | 210 | 8 | M16 | 180 |
| | 150 | 98 | 218 | 160 | 152 | 13 | 240 | 8 | M20 | 205 |
| | 200 | 127 | 273 | 210 | 203 | 24 | 295 | 8 | M20 | 235 |
| | 250 | 146 | 328 | 266 | 254 | 37 | 350 | 12 | M20 | 255 |
| | 300 | 181 | 378 | 310 | 305 | 50 | 400 | 12 | M20 | 290 |
| | 350 | 184 | 438 | 355 | 350 | 76 | 460 | 16 | M20 | 295 |
| | 400 | 191 | 489 | 405 | 400 | 110 | 515 | 16 | M24 | 310 |
| | 450 | 203 | 539 | 455 | 450 | 135 | 565 | 20 | M24 | 325 |
| | 500 | 219 | 594 | 505 | 500 | 158 | 620 | 20 | M24 | 345 |
| | 600 | 222 | 696 | 605 | 600 | 320 | 725 | 20 | M27 | 355 |
| | 700 | 305 | 811 | 700 | 695 | 380 | 840 | 24 | M27 | 440 |
| | 800 | 305 | 918 | 800 | 796 | 560 | 950 | 24 | M30 | 450 |
| 900 | 368 | 1018 | 903 | 898 | 640 | 1050 | 28 | M30 | 520 | |
| 1000 | 432 | 1124 | 1055 | 1050 | 900 | 1160 | 28 | M33 | 590 | |
| 1200 | 524 | 1340 | 1205 | 1200 | 1400 | 1380 | 32 | M36 | 695 | |

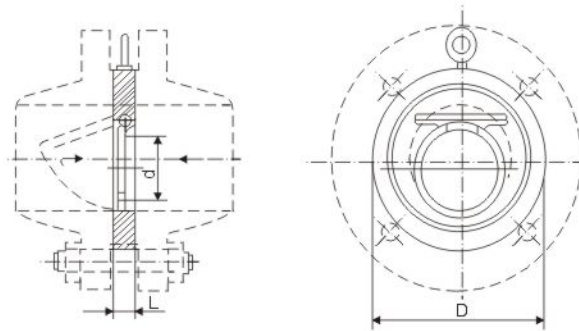
特点和用途 Features and use

本厂生产的H74 I型、II型对夹圆片式止回阀，是一种超薄形止回阀，它具有结构简单、外形美观、重量轻、安装方便等优点。该阀主要适用于给水系统、石油、化工、冶金等工业部门对有安装空间有限制的场所最为适用。

Factory production of H74 I type II folder wafer type check valve is a slim-shaped check valve, it has the advantages of simple structure, beautiful appearance, light weight, easy to install. The valve is mainly applied to the water supply system, petroleum, chemical, metallurgy and other industrial sectors most applicable installation space limited spaces.


H74X/H
性能规范 Technical data

| | | | | |
|---------------------------------------|--|------|------|-----|
| 公称压力PN(MPa) Nominal pressure | 1.0 | 1.6 | 2.5 | 4.0 |
| 壳体试验压力(MPa) Shell testing pressure | 1.5 | 2.4 | 3.75 | 6.0 |
| 密封试验压力(MPa) Seal testing pressure | 1.1 | 1.76 | 2.75 | 4.4 |
| 适用温度°C Suitable temperature | <400(硬密封 Hard seal) <120(最高<250)(软密封 Soft seal) | | | |
| 适用介质 Suitable mediums | 油、水、酸碱液体 Oil, water, acid and alkali liquid | | | |


主要零部件材料 Material of main parts

| | | |
|-------------------|---|-------------------------------------|
| 零件名称 Part name | 阀体、阀瓣 Valve body, valve disc | 密封圈 Seat ring |
| 材料 Material | 碳钢、不锈钢、铜 Carbon steel, stainless steel, copper | 丁腈橡胶、三元丙橡胶、聚四氟乙烯 NBR, EPDM, PTFE |

主要尺寸表 Main dimensions

| DN (mm) | d | L | | D | | | |
|---------|-----|-----|------|----------|----------|----------|----------|
| | | I 型 | II 型 | PN1.0MPa | PN1.6MPa | PN2.5MPa | PN4.0MPa |
| 50 | 25 | 15 | 22 | 109 | 109 | 109 | 109 |
| 65 | 38 | 15 | 22 | 129 | 129 | 129 | 129 |
| 80 | 46 | 15 | 22 | 144 | 144 | 144 | 144 |
| 100 | 72 | 15 | 24 | 164 | 164 | 170 | 170 |
| 125 | 95 | 16 | 26 | 194 | 194 | 186 | 186 |
| 150 | 114 | 19 | 29 | 221 | 221 | 226 | 226 |
| 200 | 140 | 29 | 43 | 275 | 275 | 286 | 293 |
| 250 | 188 | 29 | 43 | 330 | 331 | 343 | 355 |
| 300 | 216 | 38 | 50 | 380 | 386 | 403 | 420 |
| 350 | 263 | 41 | 52 | 440 | 446 | 460 | 477 |
| 400 | 305 | 51 | 62 | 491 | 498 | 517 | 549 |
| 450 | 356 | 51 | 62 | 541 | 558 | 567 | 574 |
| 500 | 406 | 65 | 80 | 596 | 620 | 627 | 631 |
| 600 | 482 | 70 | 90 | 698 | 737 | 734 | 750 |

特点 Features

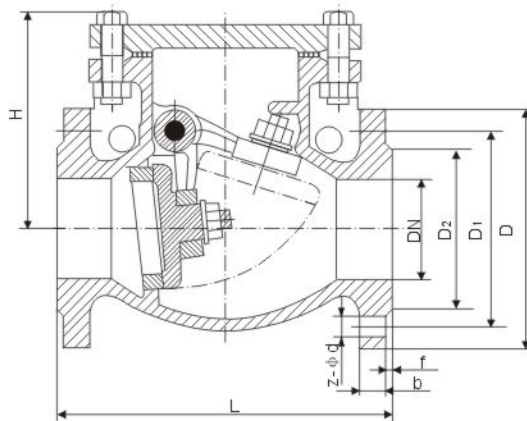
- 1、产品结构合理、密封可靠、性能优良、造型美观。
- 2、产品可根据不同的工况选择软质密封或硬质密封。密封面堆焊Co基硬质合金，耐磨、耐蚀、抗擦伤性能更好，使用寿命长。
- 3、开启压力小，阀瓣在很小的压差下就能完全打开。
- 4、内装式的销轴结构，减小外泄漏点，使用可靠。
- 5、中腔采用自紧式密封结构，密封性能随压力升高而增强，保证了密封性能。
- 6、零件材质及法兰、对焊端尺寸可根据实际工况或用户要求合理选配，满足各种工程需要。

- 1, Reasonable product structure, reliable sealing, excellent performance, attractive appearance.
- 2, Can be selected according to different conditions to the sealing of soft or rigid seal. Sealing surface Co based cemented carbide, wear, corrosion and abrasion better performance, Long service life.
- 3, Opening pressure is small, the valve can be fully opened in a small differential pressure.
- 4, Built-in pin structure, reducing the external leakage point, use and reliable.
- 5, The cavity using a self-tight seal structure, the sealing performance is enhanced with increasing pressure to ensure the sealing performance.
- 6, Materials of the parts and flanges, butt weld end dimension according to the actual working conditions or user request for reasonable matching to meet various project needs.


H44H

性能规范 Technical data

| | | | | |
|---------------------------------|-------------------------------|-----------------------------------|-------------------------|---------------|
| 公称压力PN(MPa) Nominal pressure | | 1.6 | 2.5 | 4.0 |
| 试验压力 (MPa) Test pressure | 壳体硬度试验 Shell strength test | 2.4 | 3.75 | 6.0 |
| | 密封试验(液) Seal test (Liquid) | 1.76 | 2.75 | 4.4 |
| | 密封试验(气) Seal test (Gas) | 0.5~0.7 | | |
| 适用介质 Suitable medium | | C 水、蒸汽、油品 Water, steam, oil | P 硝酸类 Niter acids | R 油 oil |
| 适用温度°C Suitable temperature | | < 425 | < 100 | < 550 |



主要零部件材料 Material of main parts

| 产品类型 Product Type | 零件名称 Part name | | | |
|------------------------------------|--|---|---|-----------------------------------|
| | 阀体、阀盖 Valve body, valve bonnet | 阀瓣、阀座 Valve disc, valve seat | 垫片 Gasket | 紧固件 Fastener |
| H44 ^H _Y (C型) | WCB或25 | H: 25+铬不锈钢 Chromium stainless steel Y: 25+硬质合金Carbide | 不锈钢带柔性石墨 钢带石棉绕式垫片 缠绕垫片 Stainless steel with flexible graphite The steel strip Asbestos-wound gasket Spiral wound gasket | 优质碳钢 High quality carbon steel |
| H44Y (I型) | 铬钼钢 Chromium-molybdenum steel | 铬钼钢+硬质合金 Chrome molybdenum steel + Carbide | | 合金钢 Alloy steel |
| H44W (P型) | 铬镍钛、铬镍钼钛不锈钢 Chrome-nickel titanium, chromium-nickel- molybdenum and titanium stainless steel | | | 不锈钢 Stainless steel |
| H44W (R型) | | | | |

主要尺寸表 Main dimensions

| PN (MPa) | DN (mm) | L | H | D | D1 | D2 | D6 | b | f | f2 | Z-φd |
|----------|---------|------|------|------|------|-----|-----|----|---|--------|--------|
| 1.6 | 50 | 230 | 135 | 160 | 125 | 100 | - | 16 | 3 | - | 4-φ18 |
| | 65 | 290 | 142 | 180 | 145 | 120 | - | 18 | 3 | - | 4-φ18 |
| | 80 | 310 | 165 | 195 | 160 | 135 | - | 20 | 3 | - | 8-φ18 |
| | 100 | 350 | 180 | 215 | 180 | 155 | - | 20 | 3 | - | 8-φ18 |
| | 125 | 400 | 210 | 245 | 210 | 185 | - | 22 | 3 | - | 8-φ18 |
| | 150 | 480 | 233 | 280 | 240 | 210 | - | 24 | 3 | - | 8-φ23 |
| | 200 | 550 | 304 | 335 | 295 | 265 | - | 26 | 3 | - | 12-φ23 |
| | 250 | 650 | 348 | 405 | 355 | 320 | - | 30 | 3 | - | 12-φ25 |
| | 300 | 750 | 390 | 460 | 410 | 375 | - | 30 | 4 | - | 12-φ25 |
| | 350 | 850 | 430 | 520 | 470 | 435 | - | 34 | 4 | - | 16-φ25 |
| | 400 | 950 | 468 | 580 | 525 | 485 | - | 36 | 4 | - | 16-φ30 |
| | 450 | 1050 | 490 | 640 | 585 | 545 | - | 40 | 4 | - | 20-φ30 |
| | 500 | 1150 | 525 | 705 | 650 | 608 | - | 44 | 4 | - | 20-φ34 |
| | 600 | 1350 | 610 | 840 | 770 | 718 | - | 48 | 4 | - | 20-φ41 |
| | 700 | 1450 | 670 | 910 | 840 | 788 | - | 50 | 4 | - | 24-φ41 |
| 800 | 1650 | 730 | 1020 | 950 | 898 | - | 52 | 4 | - | 24-φ41 | |
| 900 | 1950 | 795 | 1120 | 1050 | 998 | - | 54 | 4 | - | 28-φ41 | |
| 2.5 | 50 | 230 | 160 | 160 | 125 | 100 | - | 20 | 3 | - | 4-φ18 |
| | 65 | 290 | 175 | 180 | 145 | 120 | - | 22 | 3 | - | 8-φ18 |
| | 80 | 310 | 185 | 195 | 160 | 135 | - | 22 | 3 | - | 8-φ18 |
| | 100 | 350 | 220 | 230 | 190 | 160 | - | 24 | 3 | - | 8-φ23 |
| | 125 | 400 | 248 | 270 | 220 | 188 | - | 28 | 3 | - | 8-φ25 |
| | 150 | 480 | 270 | 300 | 250 | 218 | - | 30 | 3 | - | 8-φ25 |
| | 200 | 550 | 350 | 360 | 310 | 278 | - | 34 | 3 | - | 12-φ25 |
| | 250 | 650 | 410 | 425 | 370 | 332 | - | 36 | 3 | - | 12-φ30 |
| | 300 | 750 | 430 | 485 | 430 | 390 | - | 40 | 4 | - | 16-φ30 |
| | 350 | 850 | 518 | 550 | 490 | 448 | - | 44 | 4 | - | 16-φ34 |
| | 400 | 950 | 560 | 610 | 550 | 505 | - | 48 | 4 | - | 16-φ34 |
| | 450 | 1050 | 590 | 660 | 600 | 555 | - | 50 | 4 | - | 20-φ34 |
| | 500 | 1150 | 618 | 730 | 660 | 610 | - | 52 | 4 | - | 20-φ41 |
| | 600 | 1350 | 640 | 840 | 770 | 718 | - | 56 | 4 | - | 20-φ41 |
| | 700 | 1450 | 695 | 955 | 875 | 815 | - | 60 | 4 | - | 24-φ48 |
| 800 | 1650 | 760 | 1070 | 990 | 930 | - | 64 | 4 | - | 24-φ48 | |
| 900 | 1956 | 833 | 1180 | 1090 | 1025 | - | 66 | 4 | - | 28-φ54 | |
| 4.0 | 50 | 230 | 160 | 160 | 125 | 100 | 88 | 20 | 3 | 4 | 4-φ18 |
| | 65 | 290 | 175 | 180 | 145 | 120 | 110 | 22 | 3 | 4 | 8-φ18 |
| | 80 | 310 | 185 | 195 | 160 | 135 | 121 | 22 | 3 | 4 | 8-φ18 |
| | 100 | 350 | 220 | 230 | 190 | 160 | 150 | 24 | 3 | 4.5 | 8-φ23 |
| | 125 | 400 | 248 | 270 | 220 | 188 | 176 | 28 | 3 | 4.5 | 8-φ25 |
| | 150 | 480 | 270 | 300 | 250 | 218 | 204 | 30 | 3 | 4.5 | 8-φ25 |
| | 200 | 550 | 350 | 375 | 320 | 282 | 260 | 38 | 3 | 4.5 | 12-φ30 |
| | 250 | 650 | 410 | 445 | 385 | 345 | 313 | 42 | 3 | 4.5 | 12-φ34 |
| | 300 | 750 | 430 | 510 | 450 | 408 | 364 | 46 | 4 | 4.5 | 16-φ34 |
| | 350 | 850 | 518 | 570 | 510 | 465 | 422 | 52 | 4 | 5 | 16-φ34 |
| | 400 | 950 | 560 | 655 | 585 | 535 | 474 | 58 | 4 | 5 | 16-φ41 |
| | 450 | 1050 | 590 | 680 | 610 | 560 | 524 | 60 | 4 | 5 | 20-φ41 |
| | 500 | 1150 | 618 | 755 | 670 | 612 | 576 | 62 | 4 | 5 | 20-φ48 |
| | 600 | 1350 | 640 | 890 | 695 | 730 | 678 | 62 | 4 | 5 | 20-φ54 |
| | 700 | 1450 | 695 | 995 | 900 | 835 | 768 | 68 | 4 | 5 | 24-φ54 |
| 800 | 1650 | 760 | 1135 | 1030 | 960 | 876 | 76 | 4 | 5 | 24-φ58 | |

特点 Features

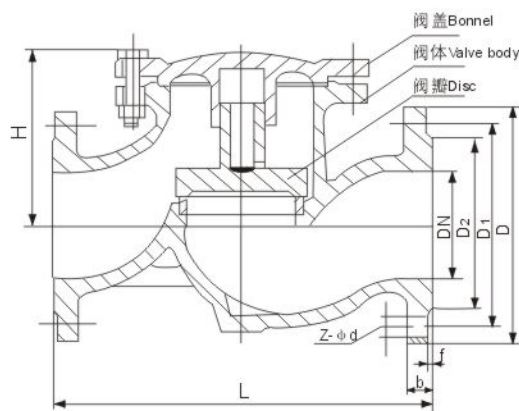
升降式止回阀是指依靠介质本身流动而自动开、闭阀瓣，依靠阀瓣自重和流体压差实现自动阻止流体介质倒流的阀门，又称逆止阀、单向阀、逆流阀、和背压阀。止回阀属于一种自动阀门，其主要作用是防止介质倒流、防止泵及驱动电动机反转，以及容器介质的泄放。止回阀还可用于给其中的压力可能升至超过系统压的辅助系统提供补给的管路上。

Lift check valve means to rely on the flow of the medium itself automatically open, close the valve, rely on the weight of the valve and fluid pressure in the automatic valves to prevent backflow of fluid medium, also known as the check valve, check valve, reflux valve, and The back pressure valve. The check valve is an automatic valve, its main role is to prevent the media back to prevent the discharge of the pump and drive motor reversal, as well as container media. The check valve can also be used to which the pressure may rise to the auxiliary system supplies more than the system pressure pipeline.


H41H

性能规范 Technical data

| | | | | |
|---------------------------------|-------------------------------|-----------------------------------|-------------------------|---------------|
| 公称压力PN(MPa) Nominal pressure | | 1.6 | 2.5 | 4.0 |
| 试验压力 (MPa) Test pressure | 壳体硬度试验 Shell strength test | 2.4 | 3.75 | 6.0 |
| | 密封试验(液) Seal test (Liquid) | 1.76 | 2.75 | 4.4 |
| | 密封试验(气) Seal test (Gas) | 0.5~0.7 | | |
| 适用介质 Suitable medium | | C 水、蒸汽、油品 Water, steam, oil | P 硝酸类 Niter acids | R 油 oil |
| 适用温度°C Suitable temperature | | < 425 | < 100 | < 550 |



主要零部件材料 Material of main parts

| 序号 No. | 零件名称 Part name | 材料 Material | |
|-----------|--------------------|--|---|
| | | ASTM | GB |
| 1 | 阀体 Valve body | WCB, WC1, WC6, WC9, C5 CF8, CF8M, CF8C, CF3, CF3M | WCB, WC1, WC6, WC9, C5 CF8, CF8M, CF8C, CF3, CF3M |
| 2 | 阀瓣 Valve disc | WCB, WC1, WC6, WC9, C5 CF8, CF8M, CF8C, CF3, CF3M | WCB, WC1, WC6, WC9, C5 CF8, CF8M, CF8C, CF3, CF3M |
| 3 | 双头螺柱 Stud bolts | A193-B7, A320-B8, A193-B8M | 35CrMoA, 25Cr2MoV, 0Cr18Ni9, 0Cr17Ni12Mo2 |
| 4 | 六角螺母 Hex nuts | A194-2H, A194-8, A194-8M | 45, 35CrMoA, 25Cr2MoV, 0Cr18Ni9, 0Cr17Ni12Mo2 |
| 5 | 垫片 Gasket | 柔性石墨+不锈钢 Flexible graphite + stainless steel | 柔性石墨+不锈钢 Flexible graphite + stainless steel |
| 6 | 阀盖 Valve bonnet | A105, F11, F22, F5, F9 F304, F316, F321, F304L, F316L | 25, 1Cr18Ni9Ni, 0Cr18Ni12Mo2Ti 20Cr1Mo1V, 25Cr2MoV |

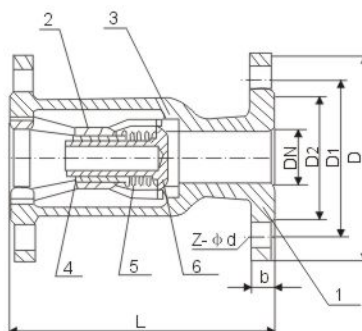
主要尺寸表 Main dimensions

| PN (MPa) | DN (mm) | L | H | D | D1 | D2 | D6 | b | f | f2 | Z-φd |
|-------------|------------|-----|-----|-----|-----|-----|-----|----|---|-----|-------|
| 1.6 | 15 | 130 | 77 | 95 | 65 | 45 | - | 14 | 2 | - | 4-14 |
| | 20 | 150 | 77 | 105 | 75 | 55 | - | 14 | 2 | - | 4-14 |
| | 25 | 160 | 80 | 115 | 85 | 65 | - | 16 | 2 | - | 4-14 |
| | 32 | 180 | 85 | 135 | 100 | 78 | - | 16 | 2 | - | 4-18 |
| | 40 | 200 | 95 | 145 | 110 | 85 | - | 16 | 3 | - | 4-18 |
| | 50 | 230 | 105 | 160 | 125 | 100 | - | 16 | 3 | - | 4-18 |
| | 65 | 290 | 120 | 180 | 145 | 120 | - | 18 | 3 | - | 4-18 |
| | 80 | 310 | 130 | 195 | 160 | 135 | - | 20 | 3 | - | 8-18 |
| | 100 | 350 | 140 | 215 | 180 | 155 | - | 20 | 3 | - | 8-18 |
| | 125 | 400 | 155 | 245 | 210 | 185 | - | 22 | 3 | - | 8-18 |
| | 150 | 480 | 180 | 280 | 240 | 210 | - | 24 | 3 | - | 8-23 |
| | 200 | 600 | 245 | 335 | 295 | 265 | - | 26 | 3 | - | 12-23 |
| 2.5 | 15 | 130 | 100 | 95 | 65 | 45 | - | 16 | 2 | - | 4-14 |
| | 20 | 150 | 105 | 105 | 75 | 55 | - | 16 | 2 | - | 4-14 |
| | 25 | 160 | 120 | 115 | 85 | 65 | - | 16 | 2 | - | 4-14 |
| | 32 | 180 | 130 | 135 | 100 | 78 | - | 18 | 2 | - | 4-18 |
| | 40 | 200 | 135 | 145 | 110 | 85 | - | 18 | 3 | - | 4-18 |
| | 50 | 230 | 149 | 160 | 125 | 100 | - | 20 | 3 | - | 4-18 |
| | 80 | 310 | 169 | 195 | 160 | 135 | - | 22 | 3 | - | 8-18 |
| | 100 | 350 | 194 | 230 | 190 | 160 | - | 24 | 3 | - | 8-23 |
| | 150 | 480 | 255 | 300 | 250 | 218 | - | 30 | 3 | - | 8-25 |
| | 200 | 600 | 305 | 360 | 310 | 278 | - | 34 | 3 | - | 12-25 |
| 4.0 | 15 | 130 | 100 | 95 | 65 | 45 | 40 | 16 | 2 | 4 | 4-14 |
| | 20 | 150 | 105 | 105 | 75 | 55 | 51 | 16 | 2 | 4 | 4-14 |
| | 25 | 160 | 120 | 115 | 85 | 65 | 58 | 16 | 2 | 4 | 4-14 |
| | 32 | 180 | 130 | 135 | 100 | 78 | 66 | 18 | 2 | 4 | 4-18 |
| | 40 | 200 | 135 | 145 | 110 | 85 | 76 | 18 | 3 | 4 | 4-18 |
| | 50 | 230 | 149 | 160 | 125 | 100 | 88 | 20 | 3 | 4 | 4-18 |
| | 80 | 310 | 169 | 195 | 160 | 135 | 121 | 22 | 3 | 4 | 8-18 |
| | 100 | 350 | 194 | 230 | 190 | 160 | 150 | 24 | 3 | 4.5 | 8-23 |
| | 150 | 480 | 255 | 300 | 250 | 218 | 204 | 30 | 3 | 4.5 | 8-25 |
| | 200 | 600 | 305 | 375 | 320 | 282 | 260 | 38 | 3 | 4.5 | 12-30 |

简介 Brief

立卧两用静音止回阀是我公司更新换代最新产品，国内首创。密封原理由一个带球面的不锈钢阀瓣和耐磨、耐高温、回弹性强的复合材料(8202)密封圈吻合，因一软一硬，所以密封性能好，寿命长。卧立管道都可安装，可用于石油、化工、给排水等系统中控制管路介质倒流，实现自动关闭的功能，是一种较为理想的无泄漏节能止回阀。

Standslies dual-purpose loudspeaker mute check valve is renovation and upgrade the new product, initiates most in the homeland. (8202) sealing washers sealing off principle returning to strong compound material of elasticity from a stainless steel valve clack and wear-resistance having a spherical surface, the thermostability, fit, one is hard because one is soft, life-span is long therefore sealing off a function well. Lie to erect a pipeline assembling, that the medium controlling a pipeline in system such as may be used for petrochemical industry, being drained away water flows backwards, realizes the function that the automation closes, is one kind of comparatively ideal nothing leakage energy conservation check valve.

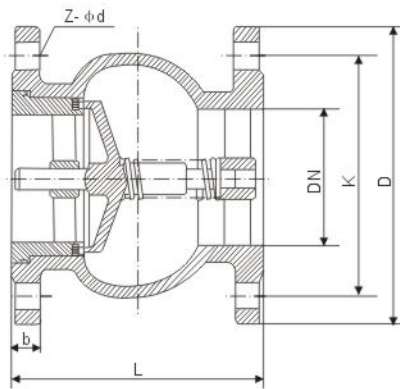

H41M

性能规范 Technical Data

| 产品型号 Type | 公称口径 Nominal diameter DN(mm) | 性能规范 Technical data | | | 阀门材质 Valve Material quality | | |
|--------------|------------------------------------|---------------------------------|--|----------------------------------|-----------------------------|-------------------|-----------------------|
| | | 公称压力PN(MPa) Nominal Pressure | 适用介质 Suitable medium | 适应温度(°C) Suitable temperature | 阀体 Valve body | 阀瓣 Valve clack | 密封圈 Sealing washer |
| H41M-16C | 15~200 | 16 | 水、蒸气、 空气、油品 Water, steam, air and oil | ≤250 | HT200 | 1Cr18Ni9Ti | 8202 |
| H41M-25C | 25~200 | | | ≤300 | WCB | | |
| H41M-25C | 50~200 | | | | | | |

主要尺寸表 Main dimensions

| DN (mm) | L | D | D1 | D2 | b | Z-φd |
|---------|-----|-----|-----|-----|----|--------|
| 15 | 130 | 95 | 65 | 45 | 14 | 4-φ14 |
| 20 | 150 | 105 | 75 | 55 | 16 | 4-φ14 |
| 25 | 160 | 115 | 85 | 65 | 16 | 4-φ14 |
| 32 | 180 | 135 | 100 | 78 | 18 | 4-φ18 |
| 40 | 200 | 145 | 110 | 85 | 18 | 4-φ18 |
| 50 | 230 | 160 | 125 | 100 | 20 | 4-φ18 |
| 65 | 290 | 180 | 145 | 120 | 20 | 4-φ18 |
| 80 | 310 | 195 | 160 | 135 | 22 | 8-φ18 |
| 100 | 350 | 215 | 180 | 155 | 24 | 8-φ18 |
| 125 | 400 | 245 | 210 | 185 | 26 | 8-φ18 |
| 150 | 480 | 280 | 240 | 210 | 28 | 8-φ23 |
| 200 | 600 | 335 | 295 | 265 | 30 | 12-φ23 |

主要尺寸表 Main dimensions

HC41X

性能规范 Technical data

| | | | |
|---------------------------------|---|-----|------|
| 公称压力PN(MPa) Nominal pressure | 1.0 | 1.6 | |
| 试验压力 Testing Pressure | 壳体 Shell | 1.5 | 1.76 |
| | 密封 Sealing | 1.1 | 1.76 |
| 适用介质 Suitable mediums | 水及弱腐蚀性流体 Water and feebleness causticity fluid | | |
| 适用温度°C Suitable temperature | 0 ~ 80°C | | |

主要零部件材料 Material of main parts

| 零件名称 Part name | 材料名称 Meterial name |
|----------------------------|--|
| 阀体 Valve body | 铸铁或不锈钢 Cast iron or stainless steel |
| 密封圈 Seal packing collar | 丁腈橡胶 (NBR) Ding nitrile rubber (NBR) |
| 弹簧 Spring | 不锈钢丝Cr18Ni9Ti Stainless steel wire 1Cr18Ni9Ti |

| PN (MPa) | DN (mm) | L | D | K | b | Z-φd |
|----------|---------|-----|-----|-----|----|--------|
| 1.0 | 40 | 112 | 145 | 110 | 18 | 4-φ18 |
| | 50 | 120 | 160 | 125 | 20 | 4-φ18 |
| | 65 | 130 | 180 | 145 | 20 | 4-φ18 |
| | 80 | 150 | 195 | 160 | 22 | 8-φ18 |
| | 100 | 165 | 215 | 180 | 24 | 8-φ18 |
| | 125 | 190 | 245 | 210 | 26 | 8-φ18 |
| | 150 | 210 | 280 | 240 | 26 | 8-φ22 |
| | 200 | 255 | 335 | 295 | 28 | 8-φ22 |
| | 250 | 310 | 390 | 350 | 28 | 12-φ22 |
| | 300 | 320 | 440 | 400 | 28 | 12-φ22 |
| | 350 | 380 | 500 | 460 | 30 | 16-φ22 |
| | 400 | 405 | 565 | 515 | 32 | 16-φ26 |
| | 450 | 430 | 615 | 565 | 32 | 20-φ26 |
| | 500 | 450 | 670 | 620 | 34 | 20-φ26 |
| | 600 | 510 | 780 | 725 | 36 | 20-φ30 |
| 1.6 | 40 | 112 | 145 | 110 | 18 | 4-φ18 |
| | 50 | 120 | 160 | 125 | 20 | 4-φ18 |
| | 65 | 130 | 180 | 145 | 20 | 4-φ18 |
| | 80 | 150 | 195 | 160 | 22 | 8-φ18 |
| | 100 | 165 | 215 | 180 | 24 | 8-φ18 |
| | 125 | 190 | 245 | 210 | 26 | 8-φ18 |
| | 150 | 210 | 280 | 240 | 26 | 8-φ22 |
| | 200 | 255 | 335 | 295 | 30 | 12-φ22 |
| | 250 | 310 | 405 | 355 | 32 | 12-φ26 |
| | 300 | 320 | 460 | 410 | 32 | 12-φ26 |
| | 350 | 380 | 520 | 470 | 36 | 16-φ26 |
| | 400 | 405 | 580 | 525 | 38 | 16-φ30 |
| | 450 | 430 | 640 | 585 | 40 | 20-φ30 |
| | 500 | 450 | 715 | 650 | 42 | 20-φ33 |
| | 600 | 510 | 840 | 770 | 48 | 20-φ36 |

止回阀系列

简介 Brief

静音式止回阀主要由阀体、阀座、阀瓣、轴瓦及弹簧等主要零件组成，内部流道采用流线型设计，压力损失及小。阀瓣启闭行程很短，停泵时可快速关闭，防止巨大的水锤声，具有静音关闭的特点。

该阀主要适用给排水、消防暖通系统，可安装于水泵出口处，以防止介质倒流及水锤对泵的伤害。

Silent check valve mainly by the valve body, the valve seat, the valve petal, the axle bush and the spring and so on the major parts is composed, internal flow channel uses the streamline design, the pressure loss and is small. The valve petal opens shuts the travelling schedule to be very short, stops pumps when may fast close, prevented the huge water hammer sound, has the static sound closure the characteristic.

This valve mainly is suitable for draining water, the fire prevention warmly passes the system, may install to water pump outflow point, prevented the medium flows backwards and water hammer to the harm which pumps.

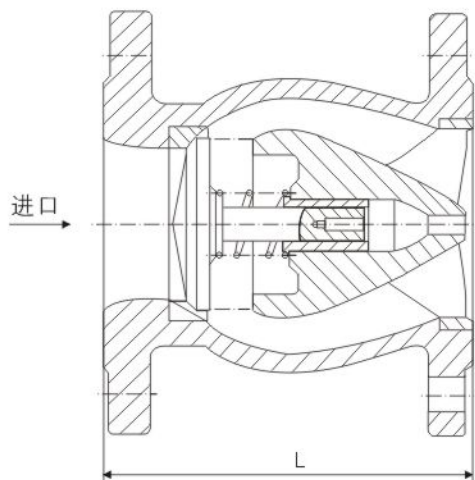
性能规范 Technical data

| | | | | |
|---|----------|--------|------|------|
| 公称通径DN(mm) Nominal diameter | | 50~350 | | |
| 公称压力PN(MPa) Nominal pressure | | 1.0 | 1.6 | 2.5 |
| 最高工作压力(MPa) Maximum operating pressure | | 1.0 | 1.6 | 2.5 |
| 试验压力 Ps(MPa) Test pressure | 壳体 Shell | 1.5 | 2.4 | 3.75 |
| | 密封 Seal | 1.1 | 1.76 | 2.75 |


HC42X

主要零部件材料 Material of main parts

| 零件名称 Part name | 材料名称 Material name |
|---|---|
| 阀体、导流体 Valve body, leads the fluid | 灰铸铁 Cast iron 球墨铸铁 Ductile iron |
| 阀座、轴承、阀瓣、轴 Valve seat, bearing, valve petal, axis | 铝青铜 Aluminum bronze 铬不锈钢 Chromium rustless iron |
| 弹簧 Spring | 不锈钢 Stainless steel |



主要尺寸表 Main dimensions

| DN (mm) | 50 | 65 | 80 | 100 | 125 | 150 | 200 | 250 | 300 | 350 |
|------------|-----|-----|-----|-----|-----|-----|-----|-----|-----|-----|
| L(mm) | 120 | 150 | 180 | 240 | 300 | 350 | 450 | 500 | 550 | 575 |

简介 Brief

大口径静音止回阀采用极符合水力学的轮廓设计，取得较佳的流线型水路，内部附有导流体的设计，能保证最小的压力损失。该阀体装于水泵出水口处，可在水流倒流前先行快速关闭，避免产生水锤、水击声和破坏性冲击，已达到静音，防止倒流和保护设备的目的，广泛用于市政、给排水、消防、暖通、工业等系统。

Large size silent check valve uses the outline design conforming with hydraulics so as to get a better faired water path and inside of it there is attached with a jetevator design used for the guarantee of minimum pressure loss. It is mounted on the outlet of a water pump and can be quickly closed before the water flow goes back so as to avoid producing water hammer, water shock sound and destructive shock and to get the target of silencing, back-flow preventing and equipment protecting. Extensively used for the water supply and drainage, fire-fighting, warming, industrial etc. systems.

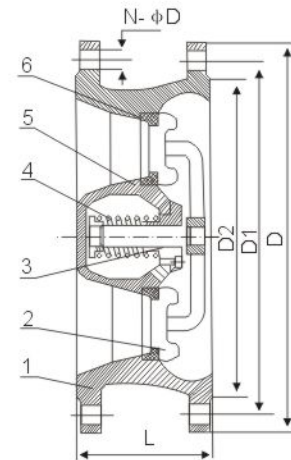
性能规范 Technical data

| | |
|---------------------------------|----------|
| 公称通径DN(mm) Nominal diameter | 300~1200 |
| 公称压力PN(MPa) Nominal pressure | 1.0~1.6 |
| 工作温度℃ Working temperature | 0~80 |
| 密封试验 Seal test | 1.1倍 |
| 壳体试验 Casing test | 1.5倍 |


CVKR

主要零件材料 Major Parts Material

| 序号 No. | 零件名称 Components name | 材料 Material |
|-----------|-------------------------|----------------|
| 1 | 阀体 Body | GG25 |
| 2 | 阀盘 Valve disc | QA19-4 |
| 3 | 轴承 Bearing | QA19-4 |
| 4 | 弹簧 Spring | SUS316 |
| 5 | 导流体 Jetevator | GG25 |
| 6 | 阀座 Seat ring | QA19-4 |



主要尺寸表 Main dimensions

| 型号 Type | DN (mm) | D2 | | D1 | | D | | N-φD | | L |
|------------|------------|------|------|------|------|------|------|-------|-------|-----|
| | | 1.0 | 1.6 | 1.0 | 1.6 | 1.0 | 1.6 | 1.0 | 1.6 | |
| WSCV-0300 | 300 | 370 | 370 | 400 | 410 | 460 | 460 | 12-12 | 12-28 | 181 |
| WSCV-0350 | 350 | 429 | 429 | 460 | 470 | 520 | 520 | 16-23 | 16-28 | 184 |
| WSCV-0400 | 400 | 480 | 480 | 515 | 525 | 580 | 580 | 16-28 | 16-31 | 191 |
| WSCV-0450 | 450 | 530 | 530 | 565 | 585 | 640 | 640 | 20-28 | 20-31 | 203 |
| WSCV-0500 | 500 | 582 | 582 | 620 | 650 | 715 | 715 | 20-28 | 20-34 | 219 |
| WSCV-0600 | 600 | 682 | 682 | 725 | 770 | 810 | 840 | 20-31 | 20-37 | 222 |
| WSCV-0700 | 700 | 794 | 794 | 840 | 840 | 895 | 910 | 24-31 | 24-37 | 280 |
| WSCV-0800 | 800 | 901 | 901 | 950 | 950 | 1015 | 1025 | 24-34 | 24-40 | 356 |
| WSCV-0900 | 900 | 1001 | 1001 | 1050 | 1050 | 1125 | 1125 | 28-40 | 28-40 | 368 |
| WSCV-1000 | 1000 | 1112 | 1112 | 1160 | 1170 | 1230 | 1255 | 28-43 | 28-43 | 432 |
| WSCV-1200 | 1200 | 1328 | 1328 | 1380 | 1390 | 1455 | 1485 | 32-49 | 32-49 | 524 |

简介 Brief

本阀阀瓣外层披覆橡胶制成，阀瓣开关寿命可达100万次，采用全流面积式设计，具有水头损失小，不易堆积杂物，维修简单等特点。

适用于给排水管路系统，安装于管路中或水泵出口处，以防止介质倒流及水锤对管路及泵的伤害，本阀还可安装在蓄水池进出口水的旁通管上，以辅助池水倒流至给水系统中。

The flap of this valve is coated with rubber on its outer layer and the switching duration it can be up to 1 million times. and, with the full-flow area design, features small head loss, not easy piled-up of foreign matters and simple repair.

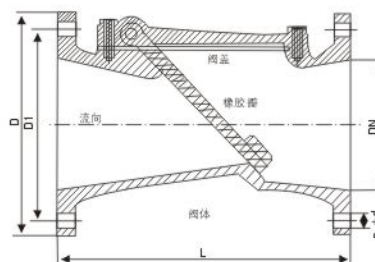
Suitable for the water supply and drainage system to, mounted in the pipeline or on the pump outlet, prevent both pump and pipeline from being damaged due to medium's back-flow and water hammer. It can also be mounted on the by-pass pipe for water in and out of a reservoir to assist the water of the reservoir to flow back to the water supply system.

主要零部件材料 Material of main parts

| 零件名称 Components name | 材料 Material |
|------------------------------------|--|
| 阀体、阀盖 Valve body Valve cover | 灰铸铁、球墨铸铁、铸钢 Cast iron, ductile iron, cast steel |
| 阀瓣 Valve petal | 橡胶组合件 Rubber Combination components |
| 弹簧 Spring | 不锈钢 Stainless steel |

性能规范 Technical data

| | | | |
|--|--|------|------|
| 公称压力PN(MPa) Nominal Pressure | 1.0 | 1.6 | 2.5 |
| 强度压力试验(MPa) Intensity pressure test | 1.5 | 2.4 | 3.75 |
| 密封压力(MPa) Seal pressure | 1.1 | 1.76 | 2.75 |
| 适用温度°C Suitable temperature | ≤80 | | |
| 适用介质 Suitable Mediums | 清水、污水、海水 Clear water, Sewage, Sea water | | |
| 缓闭时间 Slow shuts the time | ≤60秒 | | |


H44X


主要尺寸表 Main dimensions

| DN (mm) | L | D | D1 | dn | n |
|---------|------|-----|-----|------|----|
| 50 | 203 | 165 | 125 | 17.5 | 4 |
| 65 | 216 | 185 | 145 | 17.5 | 4 |
| 80 | 241 | 200 | 160 | 17.5 | 8 |
| 100 | 292 | 220 | 180 | 17.5 | 8 |
| 150 | 356 | 285 | 240 | 22 | 8 |
| 200 | 495 | 340 | 295 | 22 | 8 |
| 250 | 622 | 395 | 350 | 22 | 12 |
| 300 | 698 | 445 | 400 | 22 | 12 |
| 350 | 787 | 505 | 460 | 22 | 16 |
| 400 | 914 | 565 | 515 | 22 | 16 |
| 450 | 978 | 615 | 565 | 26 | 20 |
| 500 | 978 | 670 | 620 | 26 | 20 |
| 600 | 1295 | 780 | 725 | 30 | 20 |

简介 Brief

滑道滚球式止回阀，采用橡胶包皮球为阀瓣，在介质的作用下，可在阀体内的滑道上下滚动，从而打开或关闭阀门，密封性能好，消声式关闭，不产生水锤。阀体采用全水流通道，流量大，阻力小，水头损失比旋启式小50%，水平或垂直安装均可，可用于冷水、热水、工业及生活污水管网，更适合潜水排污泵。

Slideway ball type check valve, uses a rubber package of rubber ball is the valve petal, under the medium function, may roll in about the valve in vivo chute, thus turns on or closes the valve, the sealing property is good, the noise elimination type closure, does not produce water hammer. The valve body uses the entire fluent channel, the current capacity big, resistance small, the loss of head turns on lathe opens the type to be smaller than 50%, horizontal or the vertical installment may, may use in the cold water, hot water, industry and sanitary sewage pipe network, suits the diving to dump pollutants to pump.



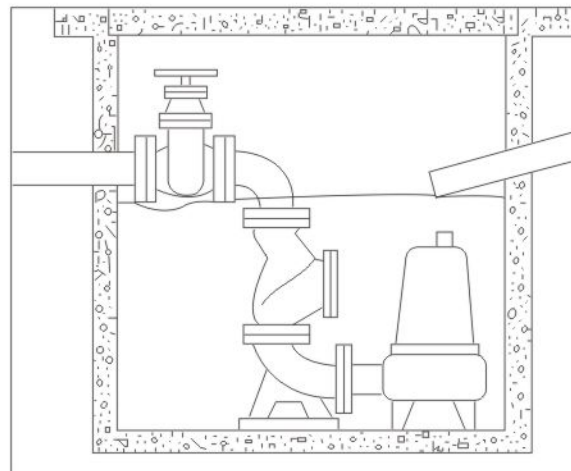
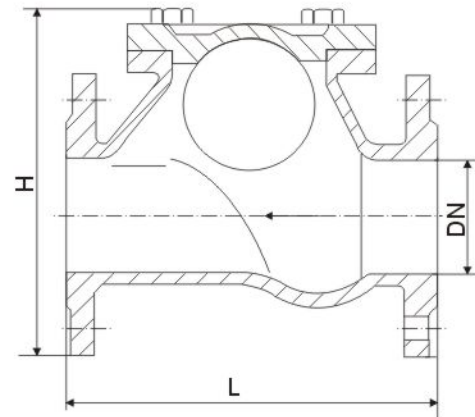
HQ41X-16

性能规范 Technical data

| | | | |
|---|----------|------|------|
| 公称压力(MPa) Nominal pressure | | 1.0 | 1.6 |
| 试验压力 Ps(MPa) Test pressure | 壳体 Shell | 1.5 | 2.4 |
| | 密封 Seal | 1.1 | 1.76 |
| 介质温度(°C) Medium temperature | | 0~80 | |
| 阀体、阀盖材料 Valve body, valve cover material | | H200 | |

主要尺寸表 Main dimensions

| DN (mm) | L | H |
|---------|-----|-----|
| 50 | 180 | 185 |
| 65 | 200 | 210 |
| 80 | 260 | 245 |
| 100 | 300 | 280 |
| 125 | 350 | 335 |
| 150 | 400 | 400 |
| 200 | 500 | 495 |
| 250 | 600 | 600 |
| 300 | 700 | 715 |
| 350 | 800 | 820 |



简介 Brief

微阻缓闭止回阀用于给水管道，安装在水泵出口处用于防止介质逆流和消除破坏性水锤，并能有效的减少阀门关闭水锤压力，可保障管网安全运行。它具有阀瓣轻、开度大、节电效果显著，流体阻力小，水锤消除机构设计新颖，密封性能稳定可靠，耐磨损、适用寿命长、运行稳定、无振动、无噪声等特点。

Microresistance slow closing check valve to use in the feed water pipe, installs uses in water pump outflow point to prevent the medium adverse current and elimination destructiveness water hammer, and can the effective reduced valve closure hammer pressure, be possible to safeguard the pipe network safe operation. It has the valve petal lightly, opens in a big way, the electricity saving effect remarkable, fluid resistance small, water hammer elimination organization design novel, sealing property stable reliable, the wearability, the suitable life long, the movement noise characteristic and soon are stable, does not have the vibration, does not have.

性能规范 Technical data

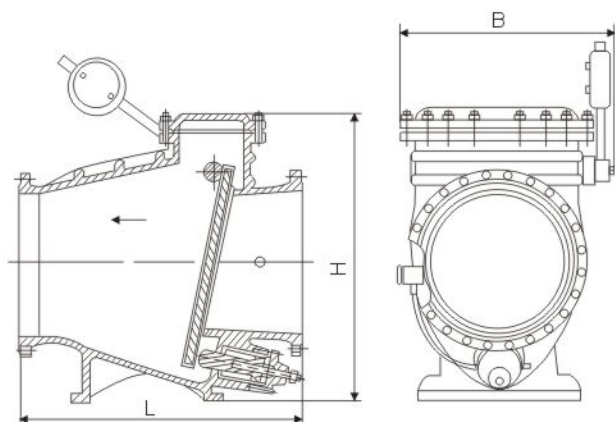
| | | | | |
|--|----------|--|------|------|
| 公称通径DN(mm) Nominal diameter | | 40~800 | | |
| 公称压力PN(MPa) Nominal pressure | | 1.0 | 1.6 | 2.5 |
| 试验压力 Ps(MPa) Test pressure | 壳体 Shell | 1.5 | 2.4 | 3.75 |
| | 密封 Seal | 1.1 | 1.76 | 2.75 |
| 最高工作压力 (MPa) Maximum operating pressure | | 1.0 | 1.6 | 2.5 |
| 工作温度 Working temperature | | <80°C根据用户要求可达200°C) (May reach 200°C according to user request) | | |
| 适用介质 Suitable medium | | 水、弱腐蚀性介质 Water, WeakCorrosion medium | | |

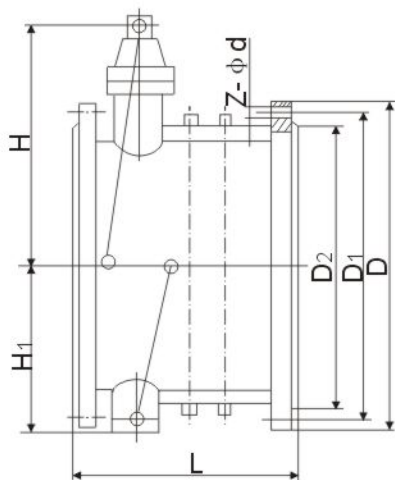

HH44X
主要零部件材料 Material of main parts

| 零件名称 Components name | 材料名称 Material name |
|----------------------------------|--|
| 阀体、阀盖 Valve body, valve cover | 灰铸铁、铸钢、球墨铸铁 Cast iron, cast steel, ductile iron |
| 阀瓣 Valve disc | 橡胶组合件 Rubber Combination components |
| 阀轴 Valve stem | 不锈钢 Stainless steel |

主要尺寸表 Main dimensions

| DN (mm) | L | H | B |
|---------|------|------|------|
| 40 | 200 | 300 | 220 |
| 50 | 230 | 300 | 270 |
| 65 | 290 | 320 | 290 |
| 80 | 310 | 354 | 300 |
| 100 | 350 | 350 | 320 |
| 125 | 400 | 380 | 340 |
| 150 | 480 | 500 | 410 |
| 200 | 500 | 580 | 450 |
| 250 | 600 | 670 | 550 |
| 300 | 700 | 730 | 580 |
| 350 | 800 | 820 | 630 |
| 400 | 900 | 920 | 700 |
| 450 | 1000 | 950 | 800 |
| 500 | 1100 | 1100 | 900 |
| 600 | 1300 | 1200 | 990 |
| 700 | 1400 | 1550 | 1120 |
| 800 | 1500 | 1700 | 1300 |




HH48/49X

用途 Use

可用于清水、污水、海水等介质的供排水管道上，既能防止介质的倒流，又能有效地限制破坏性水锤，保证管线的安全使用。

The pipeline draining away water mounts the confession available in medium such as Shimizu , foul water , seawater , now that being able to guard against the medium backwash, can restrict the water hammer destroying nature , ensure that the pipeline safety is put into use effectively.

特点 Features

- 1、结构新颖，体积小，重量轻，全国首创。
 - 2、密封可靠，启闭平稳，耐磨损，使用寿命长。
 - 3、油压缓闭，不受介质影响，应用范围广。
 - 4、比升降式、旋启式等止回阀流阻小，有效好的节能效果。
- 1、Structure is new and original, volume is small, weight makes light of, the whole nation initiates.
 - 2、Hermetic sealing derives reliable, on and off stable, able to endure, life time grows.
 - 3、Oil pressure puts the range being shut, no, being affected, applying by medium off for expanding.
 - 4、Non-return valve streams such as being more dyadic than going up and down, revolving to open style is hindered small, good effective energy conservation effect.

性能规范 Technical data

| | | | |
|--|--|------|------|
| 公称压力PN(MPa) Nominal pressure | 1.0 | 1.6 | 2.5 |
| 强度压力试验(MPa) Intensity pressure test | 1.5 | 2.4 | 3.75 |
| 密封压力(MPs) Seal pressure | 1.1 | 1.76 | 2.75 |
| 适用温度°C Suitable temperature | ≤80 | | |
| 适用介质 Suitable mediums | 清水、污水、海水 Clear water, sewage, sea water | | |
| 缓闭时间 Slow shuts the time | ≤60秒 | | |

主要零部件材料 Material of main parts

| 零件名称 Components name | 阀体 Valve body | 阀瓣 Valve petal | 阀杆、油缸、活塞 Valve lever, cylinder, piston | 弹簧 Spring | 阀座 Valve seat |
|-------------------------|--------------------------------|--------------------|---|------------------------|-----------------------------|
| 材料 Material | 铸铁、铸钢 Cast iron, cast steel | 碳钢 Carbon steel | 不锈钢 Stainless steel | 不锈钢 Stainless steel | 丁腈橡胶 Ding nitrile rubber |

主要尺寸表 Main dimensions

| DN (mm) | L | H | H1 |
|---------|-----|------|-----|
| 40 | 140 | 200 | 88 |
| 50 | 150 | 215 | 98 |
| 65 | 170 | 225 | 108 |
| 80 | 180 | 235 | 118 |
| 100 | 190 | 280 | 130 |
| 125 | 200 | 290 | 148 |
| 150 | 210 | 310 | 172 |
| 200 | 230 | 350 | 210 |
| 250 | 250 | 415 | 240 |
| 300 | 270 | 450 | 264 |
| 350 | 290 | 480 | 297 |
| 400 | 310 | 550 | 324 |
| 450 | 330 | 585 | 351 |
| 500 | 350 | 640 | 379 |
| 600 | 390 | 720 | 434 |
| 700 | 430 | 780 | 491 |
| 800 | 470 | 840 | 549 |
| 900 | 510 | 990 | 600 |
| 1000 | 550 | 1050 | 655 |
| 1200 | 630 | 1210 | 770 |

注意事项 Notice

- 1、止回阀止方的可调式缓闭阀是用来调节缓闭时间的，使用过程中要注意保护，如有损坏要及时更换。
 - 2、止回阀的液压系统要保持清洁，补充的液压油要经过120日以上的滤油器，牌号为YA-N68。
 - 3、定其检查补充液压力，一般可视具体情况，三到六个月补充一次(注满为止)。
 - 4、当油池中液压油过少时，会出现活塞伸出不到位而影响缓闭的情况，一旦发现要及时补充液压力。
 - 5、不用缓闭装置时，只要将油池中液压力放出即可。
- 1、That adjustable just square check valve style postpones shutting a valve is to be used to measure postponing shutting time's, is put into use needing to pay attention to protection in process, changes if having a breakdown to should be timely.
 - 2、The check valve hydraulic pressure system needs to keep clean, hydraulic pressure oil wants to the above oil filter for 120 days pass, the shop sign is YA-N68 in addition.
 - 3、Fix whose examination replenish hydraulic pressure with oil, may look at concrete conditions in general, three supplement an once to six months (float till).
 - 4、Think that hydraulic pressure had painted a moment later in oil pool, piston appear on meeting protruding not to arrive at a place but affect to put the condition shutting off for, replenish hydraulic pressure with oil once discovering essential points in time.
 - 5、Be needless to postpone when shutting a device, be OK as long as hydraulic pressure oil sends out oil in pool.

止回阀系列

简介 Brief

本公司生产的 H47X、H47H、HH47X、HH47H、H47XF、HDH47X、型蝶式缓冲止回阀，主要用于工业供水、污水处理厂的水泵出口处，防止管网中介质逆流。自动消除破坏性水锤，从而保证水泵和管路不受损坏。该阀主要由阀体、阀瓣、缓冲装置和微量调节阀组成。该产品具有结构新颖、体积小、流体阻力小、运行平稳、密封可靠、耐磨损、缓冲性能好等特点，是工业用水和城市排污的最佳产品。

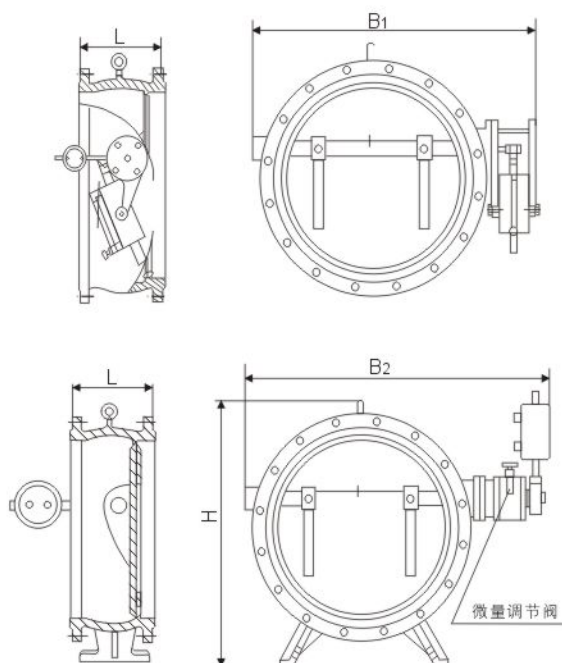
This company produces H47X, H47H, HH47X, HH47H, H47XF, HDH47X, butterfly non-slam check valve, mainly uses in the industrial water supply, sewage treatment plant water pump outflow point, prevents in the pipe network the medium adverse current. Automatic elimination destructiveness water hammer, thus guaranteed the water pump and the pipeline are not damaged. This valve mainly by the valve body, the valve petal, the buffer mechanism and the micro regulating valve is composed. This product has the structure novel, the volume small, the fluid resistance small, the movement steady, the seal reliable, the wearability, the cushion performance is good and so on the characteristic, is best product which the process water and the city dumps pollutants.


HH47X
主要零件材料 Major parts material

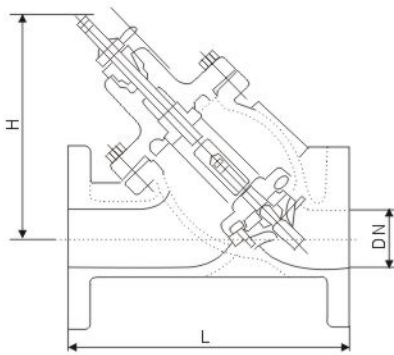
| 零件名称 Components name | 阀体 Valve body | 蝶板 Disc | 密封圈 Seal packing collar | 阀杆 Valve lever | 填料 Packing |
|-------------------------|--|--|--|---------------------------|-----------------|
| 材料 Material | 灰铸铁 Cast iron 碳钢 Carbon steel | 灰铸铁 Cast iron 铸钢 Cast steel 球墨铸铁 Ductile iron | 丁腈耐油橡胶、 氯丁橡胶 Ding nitrile oil resistant rubber, chloroprene rubber | 不锈钢 Stainless steel | 聚四氟乙烯 Teflon |

性能规范 Technical data

| | | | |
|------------------------------|--|-----|------|
| 公称压力PN(MPa) Nominal pressure | 1.0 | 1.6 | 2.5 |
| 试验压力Ps(MPa) Test pressure | 壳体Shell | 1.5 | 2.4 |
| | 密封Seal | 1.1 | 1.76 |
| 工作压力(MPa) Working pressure | 1.0 | 1.6 | 2.5 |
| 介质温度(°C) Medium temperature | 0~80 | | |
| 适用介质 Suitable medium | 水、油品、海水、污水 Water, oil, sea water, sewage | | |


主要尺寸表 Main dimensions

| DN (mm) | L | H | B1 | B2 |
|---------|-----|------|------|------|
| 200 | 230 | 550 | 540 | 600 |
| 250 | 250 | 630 | 600 | 700 |
| 300 | 270 | 690 | 650 | 740 |
| 350 | 290 | 780 | 710 | 800 |
| 400 | 310 | 860 | 770 | 870 |
| 450 | 330 | 910 | 830 | 920 |
| 500 | 350 | 980 | 900 | 1000 |
| 600 | 390 | 1070 | 1090 | 1250 |
| 700 | 430 | 1220 | 1200 | 1360 |
| 800 | 470 | 1320 | 1320 | 1480 |
| 900 | 510 | 1430 | 1420 | 1580 |
| 1000 | 550 | 1550 | 1550 | 1700 |
| 1200 | 630 | 1800 | 1780 | 1950 |
| 1400 | 710 | 1980 | 2000 | 2175 |


JLH

特点 Features

- 1、用一个阀门，可以圆满地完成三种功能：无水锤止回阀、闸阀、平衡阀。
- 2、泵停止运转时，弹簧力先合上阀瓣，因而防止水锤。
- 3、通过调节开度，可以调节泵的输出量。
- 4、装有指示器，可以用眼睛确认阀门的开启度。
- 5、密封垫用腈橡胶制作的，因而根本不会泄漏，可以吸收冲击力。
- 6、弹簧是用不锈钢制作的，因而具有很强的耐蚀性。
- 7、可节约量的材料和费用，缩小安装空间。
- 8、由于形状和结构成流线型，因而压降很小。
- 9、由于起到旁道作用，所以其有回收出口侧管内水的功能，而且在进口侧出现真空时，补充引水。
- 10、水平管道，垂直管道上均有安装。

- 1、 Three functions are available with only one valve:(1) Check valve without water hammer.(2). Gate valve (3) Balancing valve
- 2、 The spring force makes the disc closed first once the pump stops continual running so as to avoid water hammer.
- 3、 Output quantity of the pump can be regulated through the opening adjustment.
- 4、 Mounted with an indicator, so the valve's opening can be seen by eyes.
- 5、 The seal pad is made of chemigum, no leak with it at all and capable of absorbing impact.
- 6、 The spring is made of stainless steel, of a strong anti-corrosiveness.
- 7、 A great deal of equipment materials and costs can be saved and the installation space can be reduced.
- 8、 A very small step-down because of the streamline type of both shape and structure.
- 9、 Due to the by-pass action, it is of the function to retrieve the water inside of the pipeline on the outlet and to supplement water when vacuum occurs on the inlet side.Mountable on either horizontal or vertical pipeline.
- 10.The horizontal pipeline, on the vertical pipeline has the installment.

性能规范 Technical data

| | |
|---------------------------------|-------------------|
| 公称通径DN(mm) Nominal diameter | 50~1000 |
| 公称压力PN(MPa) Nominal pressure | 1.0~2.5 |
| 适用温度°C Suitable temperature | <80 |
| 适用介质 Suitable mediums | 水、油 Water, Oil |
| 允许渗漏量 Allowed leakage | 0 |

主要零部件材料 Material of main parts

| 阀体、阀瓣 Valve body, valve disc | 阀座 Valve Seat | 密封垫 Sealing pad | 弹簧 Spring |
|------------------------------------|------------------|--------------------|---------------------------|
| 铸铁、铸钢 Cast iron, cast steel | 铸钢 Cast steel | 丁腈橡胶 NBR | 不锈钢 Stainless steel |

主要尺寸表 Main dimensions

| DN (mm) | L | H | D | | | D1 | | | n-φ d | | | |
|---------|------|------|--------|--------|--------|--------|--------|--------|--------|---------|---------|---------|
| | | | 1.0MPa | 1.6MPa | 2.5MPa | 1.0MPa | 1.6MPa | 2.5MPa | 1.0MPa | 1.6MPa | 2.5MPa | |
| 50 | 205 | - | 293 | 165 | 165 | 165 | 125 | 125 | 125 | 4-φ 18 | 4-φ 18 | 4-φ 18 |
| 65 | 215 | - | 328 | 185 | 185 | 185 | 145 | 145 | 145 | 4-φ 18 | 4-φ 18 | 8-φ 18 |
| 80 | 250 | - | 364 | 200 | 200 | 200 | 160 | 160 | 160 | 8-φ 18 | 8-φ 18 | 8-φ 18 |
| 100 | 320 | - | 418 | 220 | 220 | 235 | 180 | 180 | 190 | 8-φ 18 | 8-φ 18 | 8-φ 22 |
| 125 | 365 | - | 481 | 250 | 250 | 270 | 210 | 210 | 220 | 8-φ 18 | 8-φ 18 | 8-φ 22 |
| 150 | 415 | 380 | 543 | 285 | 285 | 300 | 240 | 240 | 250 | 8-φ 22 | 8-φ 22 | 8-φ 26 |
| 200 | 500 | 450 | 673 | 340 | 340 | 360 | 295 | 295 | 310 | 8-φ 22 | 12-φ 22 | 8-φ 26 |
| 250 | 600 | 540 | 792 | 395 | 405 | 425 | 350 | 355 | 370 | 12-φ 22 | 12-φ 26 | 12-φ 26 |
| 300 | 680 | 600 | 927 | 445 | 460 | 485 | 400 | 410 | 430 | 12-φ 22 | 12-φ 26 | 12-φ 30 |
| 350 | 780 | 635 | 957 | 505 | 520 | 555 | 460 | 470 | 490 | 16-φ 22 | 16-φ 26 | 16-φ 33 |
| 400 | 860 | 700 | 1188 | 565 | 580 | 620 | 515 | 525 | 550 | 16-φ 26 | 16-φ 30 | 16-φ 36 |
| 450 | 920 | 780 | 1218 | 615 | 640 | 670 | 565 | 585 | 600 | 20-φ 26 | 20-φ 30 | 20-φ 36 |
| 500 | 980 | 810 | 1256 | 670 | 715 | 730 | 620 | 650 | 660 | 20-φ 26 | 20-φ 33 | 22-φ 36 |
| 600 | 1100 | 900 | 1600 | 780 | 840 | - | 725 | 770 | - | 20-φ 30 | 20-φ 36 | - |
| 700 | 1450 | 980 | 1750 | 895 | 910 | - | 840 | 840 | - | 24-φ 30 | 24-φ 36 | - |
| 800 | 1560 | 1120 | 1900 | 1015 | 1025 | - | 950 | 950 | - | 24-φ 33 | 24-φ 39 | - |
| 900 | 1800 | 1220 | 2100 | 1115 | - | - | 1050 | - | - | 28-φ 33 | - | - |
| 1000 | 2000 | 1320 | 2400 | 1230 | - | - | 1160 | - | - | 28-φ 36 | - | - |