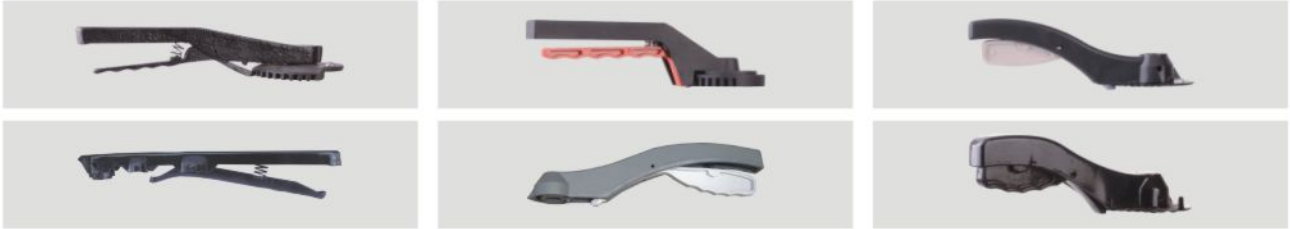


蝶阀系列



BUTTERFLY VALVE SERIES



手柄 Handle

蜗轮 Worm gear

齿板系列 Toothed plate series

阀板系列 Valve disc series

阀座材质 Materials of seat

名称 Name	成份 Composition	应用 Application	局限 limitations	温度 Temperature	颜色 Colour	标准 Standard
EPDM	乙烯-丙烯-ENB热聚合物 Ethylene propylene polymer -ENB	矿物酸性溶液、矿物碱性溶液 液化有机盐、酒精、水、海水 Mineral acid solutions, mineral bases alcaline solutions, organic salts, alcohol, water, sea water	不适合有机碳氢化合物 Not recommended for organic hydrocarbons	-5~110℃	黑色 Black	普通 Normal
EPDM-H.T.	乙烯-丙烯-ENB热聚合物 Ethylene propylene polymer -ENB	超高温度的水 Super heated water	不适合碳氢化合物 Not recommended for hydrocarbons	-10~130℃	黑色 Black	普通 Normal
NBR	丙烯腈-丁二烯共聚物 Acrylonitrile butadiene copolymer	矿物油、植物油、天然气、固体植物油 非环芳香族碳氢化合物、动物脂肪、空气 Mineral oils, vegetable oils, vegetable fats, non aromatic hydrocarbons, animal fats, air	不适合有机酸、有些矿物酸、某些矿物酸、 氯、酒精、芳香族碳氢化合物 Not recommended for organic acids, some mineral acids, chlorine alcohols, aromatic hydrocarbons	-10~90℃	黑色 Black	普通 Normal
CSM (HYPALON)®	聚乙磺酸盐-聚乙烯 Chlorosulphonate polyethylene	矿物酸性溶液、 有机和无机酸、氧化性物质 Mineral acid dissolution, organic and inorganic acids, oxidizing substances	不适合矿物和植物油、碳氢化合物、动物脂 肪和固体植物油、酮、硝酸 Not recommended for mineral and vegetable oil hydrocarbons, animal and vegetable fats, ketones, nitric acid	-10~80℃	黑色 Black	特殊 Special
FPM (VITON)®	六氟丙烯-亚乙烯基氟化物 Hexafluoropropylene copolymer vinylidene fluoride	酸、脂肪、碳氢化合物、 植物油、矿物油、燃料 Acids, fats, hydrocarbons, vegetable oil, mineral oil, fuels	不适合蒸汽和热水(最高130℃)、无铅汽油、 酮、胺、氟利昂-22 Not recommended for steam and hot water(highest 130℃), unleaded gasoline, ketones, amines, freon -22	-5~180℃	黑色 Black	特殊 Special
NR (POLYSOPRENE)	聚异戊二烯同聚物 Polyisoprene homopolymer	水、酒精、抗磨损、酮、食品 Water, alcohol, Abrasion resistance, ketones, food	不适合碳氢化合物、酸、碱及大气物质 Not recommended for hydrocarbons, acid, bases and atmospheric gases	-10~60℃	黑色 Black	特殊 Special
MVQ (SIUKON)	聚甲基乙烯基硅氧烷同聚物 Polymethylvinylsiloxane homopolymer	抗低温和高温、食品 Low and high temperature, food	不适合碳氢化合物、强酸、强碱、 高温水和蒸汽 Not recommended for hydrocarbon, strong acid, strong bases, supper heated water and steam	-30~150℃	白色 White 红色 Red 黑色 Black	特殊 Special
SILICONE -HT	聚甲基乙烯基硅氧烷同聚物 Polymethylvinylsiloxane homopolymer	超高温度的水 Super heated water	不适合碳氢化合物、强酸、强碱 Not recommended for hydrocarbon, strong acid, strong bases	-50~160℃	灰色 Gray	特殊 Special

阀板分析 Valve disc analysis

部件名称 Part name	材料名称 Material name	适应尺寸 Meet size	PH值 Value	氯含量 Chlorine (ppm)	适用温度 Applicable temperature	材质优点 Material advantage	应用介质 Application medium
蝶板 Disc	SAF2507超级双项钢、表面质量S3 SAF2507 Super Dual-steel, the surface quality of S3	DN40~1200	> 3.0	<30.000	<35~150℃	特耐磨、 耐腐蚀、 宜高流速冲击 Special wear and corrosion resistance, high velocity impact should	石灰石浆液、 石膏浆液、 洗涤浆液、 Gypsum浆液、 工艺水、废水等。 Limestone, gypsum slurry, washed slurry, Gypsum slurry, process water and waste water.
	DIN1.4529超级双项不锈钢 Super stainless steel double-entry		> 5.0	<5.000			
	C276耐腐蚀镍基 硬合金表面质量S3 C276 corrosion-resistant nickel- base hard alloy surface quality S3		> 2.5	<50.000			
	Hostalen Gur						
	CF3M超低碳不锈钢 Ultra-low carbon stainless steel		> 5.0	<5.000			

阀座分析 Valve seat analysis

部件名称 Part name	材料名称 Material name	适应尺寸 Meet size	PH值 Value	氯含量 Chlorine (ppm)	适用温度 Applicable temperature	材质优点 Material advantage	应用介质 Application medium
阀座(阀衬) Valve seat (valve lining)	CSM弹性胶 Flexible plastic	DN40~1200	> 0	<150.000	<35~150℃	耐磨、耐腐蚀 Wear and corrosion resistance	石灰石浆液、石膏浆液、 洗涤浆液、Gypsum浆液、 工艺水、废水等。 Limestone, gypsum slurry, washed slurry, Gypsum slurry, process water and wastewater.
	EPDN 三元乙丙橡胶		> 2.5				

阀门金属材质、非金属材质、耐腐蚀耐温推荐表
Valve metal materials, non-metallic materials, corrosion resistant temperature recommended table

材料 Material	适用温度(℃) Suitable temperature	介质及适用程度 Media and the applicability											特征 Feature		
		淡水 Fresh water	海水 Sea water	强碱 Alkali	弱碱 Weak base	强酸 Strong acid	弱酸 Weak acid	醇 Alcohol	空气 Air	蒸汽 Steam	油 Oil	食物 Food			
阀座 Seat	NBR	-23℃~93℃	A	A	B	A	D	B	C	A	D	A	B	抗油 Resistant oil	
	EPDM	-46℃~135℃	A	A	A	A	C	A	B	A	A	C	A	抗老化 Anti-aging	
	NR	-20℃~85℃	A	A	A	A	C	B	C	A	B	B	B	高弹性 High elasticity	
	CR	-29℃~99℃	A	B	A	A	D	C	C	A	D	D	B	耐磨、抗老化 Wear-resistant, anti-aging	
	SI	-55℃~180℃	A	B	D	B	D	B	B	A	A	C	C	抗高温 Resistant to high temperatures	
	FPM	-23℃~200℃	A	A	C	A	C	A	C	A	A	A	A	A	防腐、抗高温 Anti-corrosion, anti-high temperature
	PTFE	-20℃~180℃	A	A	A	A	A	A	A	A	A	A	A	A	防腐所有化学介质 Anticorrosive all chemical media
阀板 Disc	电镀球铁 Plating ductile iron	-30℃~350℃	B	C	D	C	D	C	A	B	B	A	C	抗热 Thermal	
	PA	-30℃~100℃	A	A	A	A	D	A	C	A	D	A	A	防腐、抗碱性 Anti-corrosion, anti-alkaline	
	PCR	-30℃~140℃	A	A	A	A	A	A	A	A	C	A	A	防腐、抗酸 Corrosion, acid-fast	
	PTFE	-20℃~180℃	A	A	A	A	A	A	A	A	A	A	A	防腐、所有化学介质 Corrosion, all chemicals	
	PFA	-20℃~180℃	A	A	A	A	B	A	A	A	A	A	A	防腐、抗高温 Anti-corrosion, anti-high temperature	
	不锈钢 Stainless steel	-252℃~316℃	A	C	C	B	C	B	A	A	A	A	A	A	防腐、抗高温 Anti-corrosion, anti-high temperature
	铝青铜 Aluminum bronze	-212℃~232℃	A	C	C	C	D	C	A	A	A	A	C	抗热、抗通常温度 Heat resistance, resistance usual temperature	
钛 Titanium	-196℃~550℃	A	A	A	A	C	B	A	A	A	A	B	防腐、抗高温 Anti-corrosion, anti-high temperature		

注: A-非常适用, B-适用, C-有限适用, D-不适用。 Note: A-Very suitable, B-Suitable, C-Limited application, D- No suitable

特点 Features

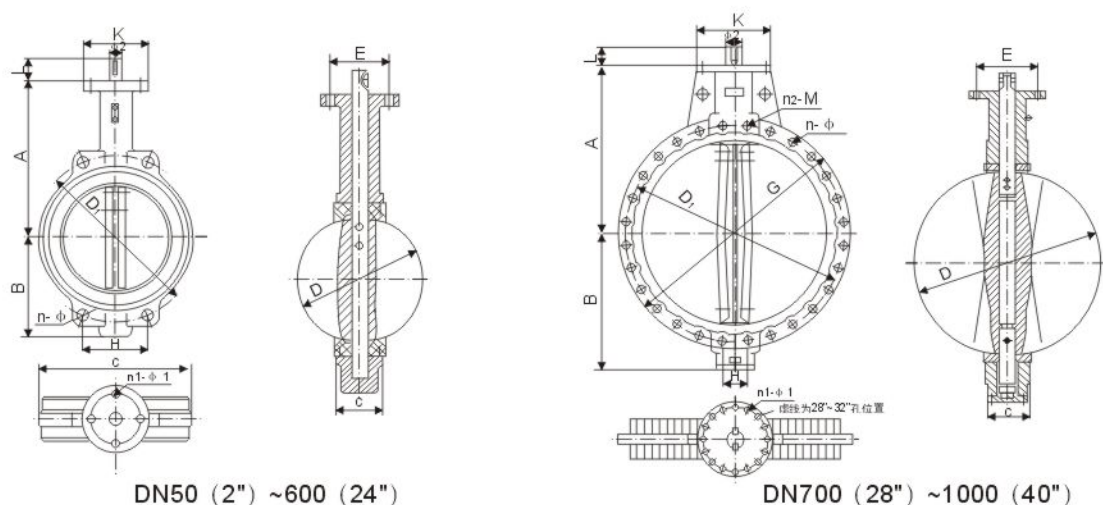
- 1、小型轻便，容易拆装及维修，并可在任意位置安装。
 - 2、结构简单，紧凑，90°回转启闭迅速。
 - 3、操作扭矩小，省力轻巧。
 - 4、流量特性趋于直线，调节性能好。
 - 5、启闭试验次数多达数万次，寿命长。
 - 6、达到完全密封，气体试验泄漏为零。
 - 7、选择不同零部件材质，可适用多种介质。
1. Small in size and light in weight. Easy installation and maintenance. It can be mounted wherever needed.
 2. Simple and compact construction, quick 90 degrees on-off operation.
 3. Minimized operating torque, energy saving.
 4. Flow curve tending to straight line. Excellent regulation performance.
 5. Long service life. Standing the test of tens of thousands opening/closing operations.
 6. Bubbles-tight sealing with no leakage under the pressure test.
 7. Wide selection of materials, applicable for various medium.


D71X
D371X
性能规范 Technical data

公称口径 DN(mm) Nominal diameter		50 (2") ~1000 (40")	50 (2") ~800 (32")
公称压力 PN(MPa) Nominal pressure		1.0	1.6
试验压力 Testing pressure	壳体 Shell	1.5	2.4
	密封 Sealing	1.1	1.76
适用温度 °C Working temperature		-15~+150	
适用介质 Suitable mediums		淡水、污水、海水、空气、蒸气、食品、药品、各种油类、酸类、碱类、盐类等 Fresh water, sewage, sea water, air, steam, food, medicine, oils, acids, etc.	

主要零部件材料 Material of main parts

阀体 Body		阀板 Disc		转轴 Stem	衬套 Bushing	阀座 Seat				
材料名称 Name	代号 Code	材料名称 Name	代号 Code	材料名称 Name	材料名称 Name	材料名称 Name	代号 Code	适用温度 °C Working temp		
灰铸铁 Cast iron	Z	电镀球墨 铸铁 Plated ductile iron	B1	不锈钢 Stainless steel	润滑青铜 Lubricized bronze	天然胶 NR	X1	-20~+85°C		
球墨铸铁 Ductile iron	Q	铝青铜 Aluminum bronze	B2			海帕伦 Hypalon	X2	-23~+121°C		
铝青铜 Aluminum bronze	T	ZG1Cr18Ni9Ti 不锈钢 Stainless steel	B3			乙丙橡胶 EPDM	X3	-23~+121°C		
ZG1Cr13Ni9Ti 不锈钢 Stainless steel	P	钛钢 Titanium steel	B4			氯丁橡胶 Neoprene	X4	-7~+93°C		
CF8M不锈钢 Stainless steel	R	CF8M不锈钢 Stainless steel	B5			丁腈橡胶 NBR	X5	-23~+100°C		
碳钢 Carbon steel	C	碳钢 Carbon steel	B6	碳钢 Carbon steel	聚四氟乙烯 PTFE	耐磨橡胶 Wear-resistant rubber	X6	-10~+100°C		
						氟橡胶 VITON	X7	-23~+200°C		
						耐热乙丙橡胶 Heat-resistant rubber	X9	-23~+135°C		
		CF8不锈钢 Stainless steel	B7					聚四氟乙烯 PTFE	F4	+10~+150°C


"A"型蝶阀主要尺寸表和重量 Main dimensions and weight of type "A" butterfly valve

DN		A	B	C	D	L	H	D1	n-φ	K	E	n1-φ1	φ2	G	n2-M	重量 Weight (kg)
mm	inch															
50	2"	161	80	42	52.9	32	84.84	120	4-φ23	77	57.15	4-φ6.7	12.6	118	-	2.5
65	2.5"	175	89	44.7	64.5	32	96.2	136.2	4-φ26.5	77	57.15	4-φ6.7	12.6	137	-	3.2
80	3"	181	95	45.2	78.8	32	61.23	160	8-φ18	77	57.15	4-φ6.7	12.6	143	-	3.6
100	4"	200	114	52.1	104	32	70.80	185	4-φ24.5	92	69.85	4-φ10.3	15.77	156	-	4.9
125	5"	213	127	54.4	123.3	32	82.28	215	4-φ23	92	69.85	4-φ10.3	18.92	190	-	7
150	6"	226	139	55.8	155.6	32	91.08	238	4-φ25	92	69.85	4-φ10.3	18.92	212	-	7.8
200	8"	260	175	60.6	202.5	45	<u>112.89</u> 76.35	295	<u>4-φ25</u> 4-φ23	115	88.9	4-φ14.3	22.1	268	-	13.2
250	10"	292	203	65.6	250.5	45	92.40	357	4-φ29	115	88.9	4-φ14.3	28.45	325	-	19.2
300	12"	337	242	76.9	301.6	45	105.34	407	4-φ29	140	107.95	4-φ14.3	31.6	403	-	32.5
350	14"	368	267	76.5	333.3	45	91.11	467	4-φ30	140	107.95	4-φ14.3	31.6	436	-	41.3
400	16"	400	309	86.5	389.6	<u>51.2</u> 72	<u>100.47</u> 102.42	<u>515</u> 525	<u>4-φ26</u> 4-φ30	197	158.75	4-φ20.6	33.15	488	-	61
450	18"	422	328	105.6	440.51	<u>51.2</u> 72	<u>88.39</u> 91.51	<u>565</u> 585	<u>4-φ26</u> 4-φ30	197	158.75	4-φ20.6	38	539	-	79
500	20"	480	361	131.8	491.6	<u>64.2</u> 82	<u>96.99</u> 101.68	<u>620</u> 650	<u>4-φ26</u> 4-φ33	197	158.75	4-φ20.6	41.15	593	-	128
600	24"	562	459	152	592.5	<u>70.2</u> 82	<u>113.42</u> 120.46	<u>725</u> 770	<u>20-φ30</u> 20-φ36	276	215.9	4-φ22.2	50.65	816	-	188
700	28"	624	520	163	695	<u>66</u> 82	109.65	840	<u>24-φ30</u> 20-φ36	300	254	8-φ18	<u>55</u> 63.35	895	4-M33	284
800	32"	672	591	188	794.7	<u>66</u> 82	124	950	<u>24-φ33</u> 24-φ39	300	254	8-φ18	<u>55</u> 63.35	1015	-	368
900	36"	720	656	203	864.7	118	117.57	1050	24-φ33	300	254	8-φ18	75	1115	4-M30	713
1000	40"	800	721	216	965	142	129.89	1160	24-φ36	300	254	8-φ18	85	1230	4-M33	864

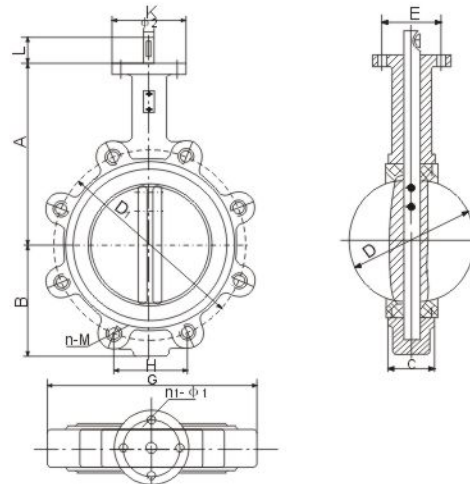
注Note:

DN50 (2") ~800 (32") "A" 型蝶阀分别适用于PN1.0/PN1.6MPa二种压力级, 表中每格有两个尺寸的分别表示PN1.0/PN1.6MPa二种压力级连接尺寸。与阀门连接的管法兰连接尺寸参照法兰连接尺寸表。蝶阀上法兰可适用于手动、蜗轮蜗杆传动、电动、气动等。

表中DN50 (2") ~500 (20") 中D1和n-φ尺寸为蝶阀本身安装定位尺寸, 其中DN50(2")~350(14")的D1和n-φ尺寸包容GB9112-88, DIN 2501(德国), BS4504(英国), ISO2084, ISO2531(国际标准), BS10-E(英国), ANSI1125(美国)等法兰连接标准。DN400 (16")~500(20")包容GB9112-88, DIN2501, ISO2084, BS4504法兰连接标准。

DN50 (2") ~ 800 (32") Type "A" butterfly valves are suitable for the pressure of PN1.0MPa and PN1.6MPa grade separately. Two dimensions in one column show the connection dimensions of PN1.0/PN1.6MPa pressure grade. For the connection dimensions of pipe flanges mounted to the valves, please refer to the Connection Dimensions of Flanges Table. The upper flanges of the valves are suitable all types of valves fitted with electric, wormgear, manual, pneumatic and actuators.

The dimensions D1 and n-φ of DN50 (2") ~500 (20") listed in above table show the installation dimensions of butterfly valve. Of them the dimensions D1 and n-φ of DN50 (2") ~350 (14") contain the standard of GB9112-88, DIN2501 (Germany), BS4504(UK) ISO2084, ISO2531 (International standard) BS10-E (UK) ANSI1125 (USA) for flange connection and DN400 (16")~500 (20") contain the standard of GB9112-88, DIN2501, ISO2084 and Bs4504.


LTD71X

DN50 (2") ~600 (24")
"LT"型蝶阀主要尺寸表和重量 Main dimensions and weight of type "LT" butterfly valve

DN		A	B	C	D	L	H	D1	n-φ	K	E	n1-φ1	φ2	G	重量 Weight (kg)
mm	inch														
50	2"	161	80	42	52.9	32	88.38	125	4-M16	77	57.15	4-6.7	12.6	118	3.8
65	2.5"	175	89	44.7	64.5	32	102.54	145	4-M16	77	57.15	4-6.7	12.6	137	4.2
80	3"	181	95	45.2	78.8	32	61.23	160	8-M16	77	57.15	4-6.7	12.6	178	4.7
100	4"	200	114	52.1	104	32	68.88	180	8-M16	92	69.85	4-10.3	15.77	206	9.0
125	5"	213	127	54.4	123.3	32	80.36	210	8-M16	92	69.85	4-10.3	18.92	238	10.9
150	6"	226	139	55.8	155.6	32	91.84	240	8-M20	92	69.85	4-10.3	18.92	266	14.2
200	8"	260	175	60.6	202.5	45	112.89 76.35	295	8-M20 12-M24	115	88.9	4-14.3	22.1	329	18.2
250	10"	292	203	65.6	250.5	45	90.59 91.88	350 355	12-M20 12-M24	115	88.9	4-14.3	28.45	393	26.8
300	12"	337	242	76.9	301.6	45	103.52 106.12	400 410	12-M20 12-M24	140	107.95	4-14.3	31.6	462	40
350	14"	368	267	76.5	333.3	45	89.74 91.69	460 470	16-M20 16-M24	140	107.95	4-14.3	31.6	515	56
400	16"	400	309	86.5	389.6	51.2 72	100.48 102.42	515 525	16-M24 16-M27	197	158.75	4-20.6	33.15	579	96
450	18"	422	328	105.6	440.51	51.2 72	88.38 91.51	565 585	20-M24 20-M27	197	158.75	4-20.6	38	627	122
500	20"	480	361	131.8	491.6	64.2 82	96.99 101.68	620 650	20-M24 20-M30	197	156.25	4-20.6	41.15	696	202
600	24"	562	459	152	592.5	70.2 82	113.42 120.46	725 770	20-M27 20-M33	276	215.9	4-22.2	50.65	821	270

注Note:

DN50 (2") ~600 (24") "LT" 型蝶阀分别适用于 PN1.0/PN1.6MPa 二种压力级, 表中每格有两个尺寸的分别表示 PN1.0/PN1.6MPa 二种压力级连接尺寸。与阀门连接的管法兰连接尺寸参照法兰连接尺寸表。蝶阀上法兰可适用于手动、蜗轮蜗杆传动、电动、气动等传动装置。

"LT" 型蝶阀的结构、性能、零件的材质与 "A" 型均相同, 区别在于 "A" 型可通过双头螺柱 (或加长六角螺栓) 对夹连接在两管法兰之间 (即对夹式) 。"LT" 型除通过两普通六角螺栓连接在两管路之间外, 还可以安装在管端 (即单夹式) 作为排空阀使用, 但需在订货合同中注明管端使用。

DN50(2")~600(24")Type"LT" butterfly valve are suitable for the pressure grades of PN1.0MPa and PN1.6MPa separately. Two dimensions in one column how two connection dimensions of PN1.0/PN1.6MPa pressure grade. For the connection dimensions of pipe flanges mounted to the valve. Please refer to the Connection Dimensions of flanges Table. The upper flanges of the butterfly valves accommodates all types of operators: manual, wormgear, electric and pneumatic actuators.

Difference between Type "A" and "LT": Both Type "A" and "LT" have the same construction and performances and are made of the same materials. The main difference between them is that type "A" valves are mounted between pipe flanges (wafer type) by bolts (or extended hexagon-head bolts), while type "LT" can be either mounted between two pipes by ordinary hexagon head bolts or mounted on the pipe end (lugged-type). As the valve is used at the end of pipe line, it is necessary to indicate in order.

- 以上两种形式由用户在订货合同中注明。

Above two kinds of versions are given clear indication of by user in the order contract.

- 法兰连接尺寸符合 G4216, DIN2501, BS4504, BS10-E, JISB2220, AS2129, ANSI B16.1 等标准, 须用户在合同中注明。

The flange links the size and fits the standards such as GB4216, DIN2501, BS4504, BS10-E, JISB2220, AS2129, ANSI B16.1 etc, and must give clear indication of in the contract user.

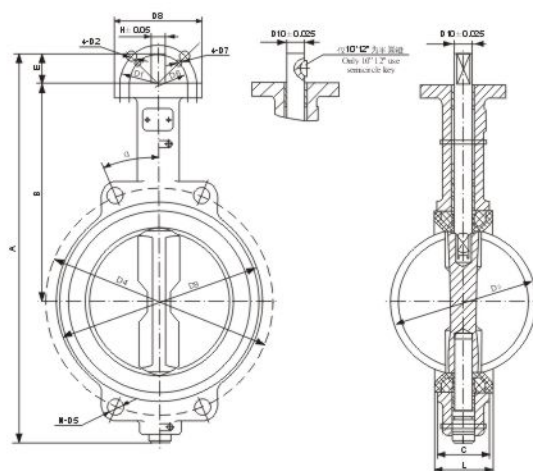
简介 Brief

无销蝶阀是我公司在对夹式蝶阀的基础上，引进国外先进的设计制造技术，开发的新产品。该产品具备了对夹式蝶阀的一切优点，而且还具有抗腐蚀性强，无销孔的优点。该产品主要适用于石油、化工、食品、医药、造纸、船舶、城市给排水、冶炼、能源等系统中作为调节和截流装置使用，它可以在管线中任意位置安装。

Slim-disc butterfly valve is developed based on the wafer butterfly valve and advanced technology introduced from foreign country. In addition to the feature of the wafer butterfly valve. It has strong corrosion resistance and no-pin. This product is suitable for throttling-off and adjusting flow, and can be installed in pipelines in the industries of petroleum processing, chemicals, food medicine, textile, paper making, hydroelectricity engineering, ship building, water supply and sewage, metallurgy, energy engineering as well as light industry, etc.

性能规范 Technical data

公称通径 DN Nominal diameter		50 (2") ~300 (12")	
公称压力 PN Nominal pressure		1.0	1.6
试验压力 Testing pressure	壳体 Shell	1.1	1.76
	密封 Sealing	1.5	2.4
适用温度 °C Working temperature		-15~+150	
适用介质 Suitable mediums		淡水、污水、海水、空气、蒸气、食品、药品、各种油类、酸类、碱类、盐类等 Fresh water, sewage, sea water, air, steam, food, medicine, oils, acids, etc.	

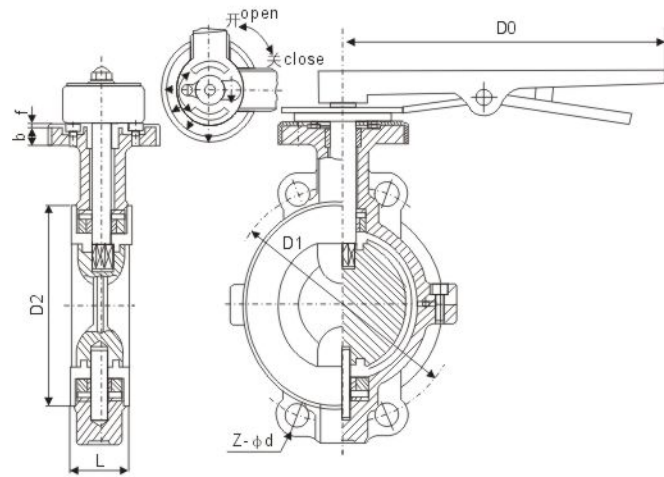

WD71X

主要尺寸表 Main dimensions

DN		A	B	C	E	L	H	α	D1	D2	D3	D4	N-D5	D6	D7	D8	D9	D10
mm	inch																	
50	2"	280	161	42.04	32	45	9.52	45°	83	11	52.6	120	4-23	70	10	102	100	12.6
65	2½"	303	175	44.68	32	47.6	9.52	45°	83	11	64.3	136.13	4-26.6	70	10	102	120	12.6
80	3"	315	181	45.21	32	49	9.52	45° 22.5°	83	11	78.8	152.4 160.0	4-24 4-18	70	10	102	127	12.6
100	4"	353	200	52.07	32	54.7	11.11	45° 22.5°	83	11	104	177.8 185.16	4-17.5 4-25.8	70	10	102	156	15.77
125	5"	379	213	54.36	32	58	12.7	22.5°	83	11	123.3	215.01	4-23	70	10	102	190	18.92
150	6"	404	226	55.75	32	58.6	12.7	22.5°	83	11	155.7	238.12	4-25	70	10	102	212	18.92
200	8"	487	260	60.58	45	63.4	15.87	15° 22.5°	127	14	202.4	296.07	4-23 4-26	102	12	152	268	22.1
250	10"	547	292	65.63	51	70	-	22.5° 15°	127	14	250.4	357	4-22 4-29	102	12	152	325	28.45
300	12"	631	337	76.9	51	70	-	15°	127	14	301.5	406.4 431.8	4-30.2 4-25.4	102	12	152	403	28.45

注Note:

"A"型侧法兰连接标准符合GB4216.4-GB4216.5-84, ANSI B16.1 125PSI, BS10D, BS10E, DIN2501 PN10, PN16, AS2129 表E标准。

Type "A" side flange connection is in compliance with the standard standard given in the GB4216.4-GB4216.5-84, ANSI B16.1 125PSI, BS10D, BS10E, DIN2501 PN10, PN16, table E of AS2129.


D71F

简介 Brief

D71F全衬氟对夹式蝶阀，采用对分两片式阀体组合，阀座与阀体内衬一体化，阀门工作时只有全塑阀座与衬塑蝶板与介质接触，产品可承受“除熔融碱金属和元素氟”外的任何介质腐蚀，其D71F阀杆与蝶板(锻)为一体，表面均匀包覆一层FEP。阀体通道内表面光滑，流体阻力小CV值高，流通能力强，扭矩适中，采用四级密封结构并在密封面外配以耐温抗老化的SI橡胶的弹性衬垫 阀座完全达到介质的零泄漏。

D71F fluorine butterfly clip on, using two chip on the valve combination, the valve seat and valve liner valve work integration, only full plastic seat and lining plastic disc contact with the media, the product can withstand any corrosion in molten alkali metal and fluorine elements", the stem and disc forging (D71F) as a whole, the surface is uniformly coated with a layer of FEP. The channel of the valve body inner surface smooth, fluid resistance of high CV value, strong circulation, moderate torque, the zero leakage of four seal structure and elastic rubber gasket seat with SI in high temperature aging on the outside sealing surface can reach the medium.

主要尺寸表和重量 Main dimensions and weight

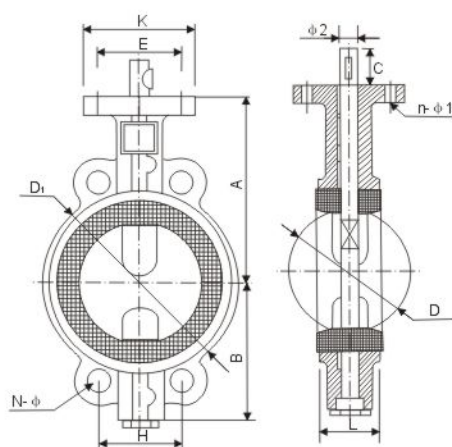
PN (MPa)	DN (mm)	NPS (inch)	L	D	D1	D2	f	b	Z-φd	D0	H	重量(kg) Weight
1.6	40	1 1/2"	33	145	110	85	3	18	4-φ18	200	145	4
	50	2"	43	160	125	100	3	20	4-φ18	200	150	5
	65	2 1/2"	46	180	145	120	3	20	4-φ18	250	160	7
	80	3"	46	195	160	135	3	22	8-φ18	250	170	10
	100	4"	52	215	180	155	3	24	8-φ18	300	185	14
	125	5"	56	245	210	185	3	26	8-φ18	300	210	22
	150	6"	56	280	240	210	3	28	8-φ23	200*	230	32
	200	8"	60	335	295	265	3	30	12-φ23	240*	285	66
	250	10"	68	405	355	320	3	32	12-φ25	240*	325	80
	300	12"	78	460	410	375	4	34	12-φ25	280*	360	94
	350	14"	78	520	470	435	4	38	16-φ25	280*	430	125
	400	16"	102	580	525	485	4	40	16-φ30	320*	475	150
	450	18"	114	640	585	545	4	44	20-φ30	320*	525	172
	500	20"	127	705	650	608	4	46	20-φ34	320*	565	225
	600	24"	154	840	770	718	5	54	20-φ41	360*	620	290
	700	28"	165	910	840	788	5	54	24-φ41	360*	686	330
800	32"	190	1020	950	898	5	54	24-φ41	380*	815	425	
900	36"	203	1120	1050	998	5	54	28-φ41	400*	1010	495	
1000	40"	216	1255	1170	1110	5	60	28-φ48	400*	1185	710	

注：法兰尺寸D, D1, D2, Z-φd, f, b 数值是与蝶阀连接的标准法兰尺寸，简图中尺寸代号仅是其中一部分。

Note: Flange size D, D1, D2, Z-φd, f, b values are connected with the standard flange size butterfly, sketch in code size is only part of it.

特点 Features

- 1、小型轻便，容易拆装及维修，并可在任意位置安装。
 - 2、结构简单，紧凑，90°回转启闭迅速。
 - 3、操作扭矩小，省力轻巧。
 - 4、流量特性趋于直线，调节性能好。
 - 5、启闭试验次数多达数万次，寿命长。
 - 6、达到完全密封，气体试验泄漏为零。
 - 7、选择不同零部件材质，可适用多种介质。
 - 8、转轴与阀板采用无销连接，性能更加可靠。
 - 9、阀板衬胶、金属不接触介质，防腐性好。
 - 10、适用介质：淡水、海水、各种气体、油品、耐酸、碱、盐等有机化学物。
1. Small in size and light in weight. Easy installation and maintenance. It can be mounted wherever needed.
 2. Simple and compact construction, quick 90° degrees on-off operation.
 3. Minimized operating torque, energy saving.
 4. Flow curve tending to straight line. Excellent regulation performance.
 5. Long service life. Standing the test of tens of thousands opening, closing operations.
 6. Bubbles-tight sealing with no leakage under the pressure test.
 7. Wide selection of materials, applicable for various medium.
 8. Axle and valve's broad is linked by no line gum, function is more reliable.
 9. Valve's broad line gum, steel aren't contact with medium, against corrosiveness is good.
 10. Suitable mediums: water, sea water, different kinds of gasses, oil product, acidproof, alkali, salt grade organic chemistry thing.


WD71X

主要尺寸表和重量 Main dimensions and weight

DN		A	B	L	D	C	H	D1	N-φ	K	E	n-φ1	φ2	重量 Weight (kg)
mm	inch													
40	1 1/2"	130	73	41	52.7	28	77.78	110	4-φ18	77	57	4-φ7	12.7	3.8
50	2"	130	73	41	52.7	28	88.38	125	4-φ18	77	57	4-φ7	12.7	3.8
65	2 1/2"	142	80	43	64.4	28	<u>120.13</u> <u>113.13</u>	145	4-φ18	77	57	4-φ7	12.7	4.2
80	3"	155	96	44.5	78.8	28	61.23	160	4-φ18	77	57	4-φ7	12.7	4.7
100	4"	170	123	50	104.2	28	68.88	180	8-φ18	92	69	4-φ10.5	15.8	9.0
125	5"	173	125	54	123.3	29	80.36	210	8-φ18	92	69	4-φ10.5	19.05	10.9
150	6"	204	140	54	157	29	<u>91.84</u> <u>112.89</u>	240	8-φ18	92	69	4-φ10.5	19.05	14.2
200	8"	239	173	60	202.5	32	76.35	295	<u>8-φ22</u> <u>8-φ23</u>	114	89	4-φ14.3	22.22	18.2
250	10"	275	200	66	250.5	40	<u>90.59</u> <u>91.88</u>	<u>350</u> <u>355</u>	12-φ23	115	89	4-φ14.3	28.6	26.8
300	12"	320	230	75.5	301.6	40	<u>103.52</u> <u>106.12</u>	<u>400</u> <u>410</u>	<u>12-φ23</u> <u>12-φ26</u>	140	108	4-φ14.3	31.8	40
350	14"	368	267	76.5	333.3	40	<u>89.74</u> <u>91.69</u>	<u>460</u> <u>470</u>	<u>16-φ23</u> <u>16-φ26</u>	140	108	4-φ14.3	31.8	56
400	16"	400	309	86.5	389.6	<u>51.2</u> <u>72</u>	<u>100.48</u> <u>102.42</u>	<u>515</u> <u>525</u>	<u>16-φ23</u> <u>16-φ26</u>	197	159	4-φ20.5	33.3	96
450	18"	422	328	105.6	440.51	<u>51.2</u> <u>72</u>	<u>88.38</u> <u>91.51</u>	<u>565</u> <u>585</u>	<u>16-φ26</u> <u>16-φ30</u>	197	159	4-φ20.5	38	122
500	20"	480	361	131.8	491.6	<u>64.2</u> <u>82</u>	<u>96.99</u> <u>101.68</u>	<u>620</u> <u>650</u>	<u>20-φ26</u> <u>20-φ33</u>	197	159	4-φ20.5	41.5	202
600	24"	562	459	152	592.5	<u>70.2</u> <u>82</u>	<u>113.42</u> <u>120.46</u>	<u>725</u> <u>770</u>	<u>20-φ30</u> <u>20-φ36</u>	276	215.9	4-φ22.2	50.65	270

注 Notes:

DN40~DN600mm全衬胶无销对夹蝶阀，分别适用于PN1.0~1.6MPa二种压力等级。可根据用户需求选用手动、蜗轮传动、电动、气动等连接尺寸。

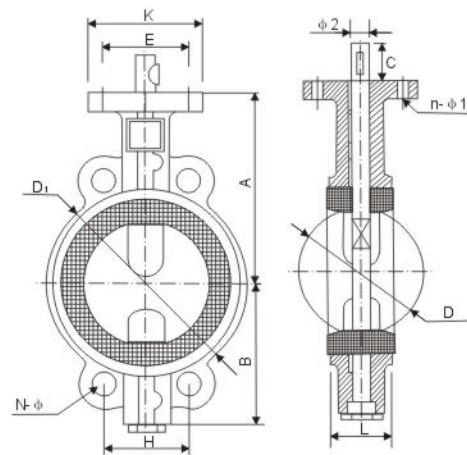
DN40~DN600mm not line gum wafer butterfly valve, separately adopt to PN1.0~1.6MPa two pressure grade. Can be choosed handwork worm gear transmission, motor-driven, pneumatic line measurement and so on.

特点 Features

- 1、小型轻便，容易拆装及维修，并可在任意位置安装。
- 2、结构简单，紧凑，90°回转启闭迅速。
- 3、操作扭矩小，省力轻巧。
- 4、优异的减磨、自润滑性、操作力矩比普通蝶阀降低40%以上。
- 5、耐磨好(尼龙耐磨是铜的7倍)，可延长使用寿命。
- 6、无毒、无味、抗菌符合绿色环保要求。
- 7、耐盐、碱、弱酸侵蚀，适应性广。
- 8、无销连接技术，保证介质与金属完全隔离可靠性高。
- 9、产品价格远低于不锈钢阀门，明显降低工程造价。
- 10、适用介质：淡水、海水、各种气体、油品、碱、盐、有机化合物及弱酸等。


WD71F

1. Small in size and light in weight. Easy installation and maintenance. It can be mounted wherever needed.
2. Simple and compact construction, quick 90 degrees on-off operation.
3. Minimized operating torque, energy saving.
4. The excellent antifriction, lubricate oneself, doing moment of force is the ordinary butterfly valve lower 40%.
5. Wear-resisting is good, (nylon wear-resisting is 7 times of copper) can lengthen one's life.
6. Innocuity, no flavour, against fungus according with the require of green environmental.
7. Salt-resisting, soda-resisting, weakacid-resisting, it's adaptability is wide.
8. The technology of no line gum linking ensure the reliable what medium keep apart metal.
9. The product's price is most poor than stainless steel, clear reduce the cost of engineering.
10. Be suitable of medium: fresh water, sea water, all kinds of gas, oil, soda, salt, organism and weak acid.


主要尺寸表和重量 Main dimensions and weight

DN		A	B	L	D	C	H	D1	N-φ	K	E	n-φ1	φ2	重量 Weight (kg)
mm	inch													
40	1.5"	130	73	41	52.7	28	77.8	110	4-φ18	77	57	4-φ7	12.7	3.8
50	2"	130	73	41	52.7	28	88.38	125	4-φ18	77	57	4-φ7	12.7	3.8
65	2.5"	142	80	43	64.4	28	120.54 113.13	145	4-φ18	77	57	4-φ7	12.7	4.2
80	3"	155	96	44.5	78.8	28	61.23	160	4-φ18	77	57	4-φ7	12.7	4.7
100	4"	170	123	50	104.2	28	68.88	180	8-φ18	92	69	4-φ10.5	15.8	9.0
125	5"	173	125	54	123.3	29	80.36	210	8-φ18	92	69	4-φ10.5	19.05	10.9
150	6"	204	140	54	157	29	91.84 112.89	240	8-φ18	92	69.85	4-φ10.5	19.05	14.2
200	8"	239	173	60	202.5	32	76.35	295	8-φ22 8-φ23	114	89	4-φ14.3	22.22	18.2
250	10"	275	200	66	250.5	40	90.59 91.88	350 355	12-φ23	115	89	4-φ14.3	28.6	26.8
300	12"	320	230	75.5	301.6	40	103.52 106.12	400 410	12-φ23 12-φ26	140	108	4-φ14.3	31.8	40
350	14"	368	267	76.5	333.3	40	89.74 91.69	460 470	16-φ23 16-φ26	140	108	4-φ14.3	31.8	56
400	16"	400	309	86.5	389.6	51.2 72	100.48 102.42	515 525	16-φ23 16-φ26	197	159	4-φ20.5	33.3	96
450	18"	422	328	105.6	440.51	51.2 72	88.38 91.51	565 585	16-φ26 16-φ30	197	159	4-φ20.5	38	122
500	20"	480	361	131.8	491.6	64.2 82	96.99 101.68	620 650	20-φ26 20-φ33	197	159	4-φ20.5	41.5	202
600	24"	562	459	152	592.5	70.2 82	113.42 120.46	725 770	20-φ30 20-φ36	276	216	4-φ22.2	50.65	270

注 Notes:

DN40~DN600mm全衬四氟尼龙覆层无销蝶阀，分别适用于PN1.0~1.6MPa二种压力等级。可根据用户需求选用手动、蜗轮传动、电动、气动等连接尺寸。

DN40~DN600mm PTFE lining nylon overlying strata not line gum butterfly valve, separately adopt to PN1.0~1.6MPa two pressure grade. Can be chosed handwork worm gear transmission, motor-driven, pneumatic line measurement and so on.

简介 Brief

本蝶阀适用于石油、化工、食品、医药、造纸、水电、船舶、给排水、冶炼、能源等系统管路上。可在多种腐蚀性、非腐蚀性的气体、液体、半流体以及固体粉末管线和容器上作为调节和截流设备使用。特别广泛适用于高层建筑消防系统及其它需要显示阀门开关状态的管线系统上。

This butterfly valve is suitable on system such as petroleum, chemical industry, foodstuff, medicine, papemaking, water and electricity, shipping, plumbing, the smelting and sources of energy etc the pipe route. Can regard on gas, liquid, semifluid as well as solid powder pipes and power lines and the container of many kinds of corrosiveness and non-corrosiveness adjusts and dams a river the equipment use. Especially extensively being suitable in high layer of building fire protection system reaches other to show in the pipes and power lines system of valve switch state.

性能规范 Technical data

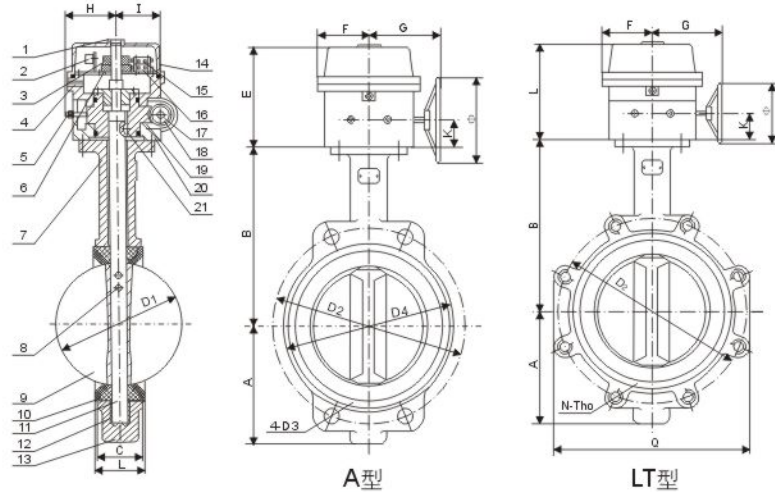
公称通径 DN(mm) Nominal diameter	50 (2") ~250 (10")		
公称压力 PN(MPa) Nominal pressure	1.0	1.6	
试验压力 Testing pressure	壳体 Shell	1.5	2.4
	密封 Sealing	1.1	1.76
适用温度 °C Working temperature	-15~+150		
适用介质 Suitable mediums	淡水、污水、海水、空气、蒸气、食品、药品等 Fresh water, sewage, sea water, air, steam, food, medicine, etc.		
微动开关容量 Microswitch capacity	AC 220V 1A DC 30V 0.5A		

特点 Features

- 1、小型轻便，容易拆装及维修，并可在任意位置安装。
 - 2、结构简单，紧凑，90°回转启闭迅速。
 - 3、操作扭矩小，省力轻巧。
 - 4、流量特性趋于直线，调节性能好。
 - 5、启闭试验次数多达数万次，寿命长。
 - 6、达到完全密封，气体试验泄漏为零。
 - 7、选择不同零部件材质，可适用多种介质。
 - 8、凡使用闸阀、截止阀、旋塞、胶管阀及隔膜阀的管路，特别在高层建筑消防及需显示阀门开关状态的管线系统上，均可用该阀替换。
1. Small in size and light in weight. Easy installation and maintenance. It can be mounted wherever needed.
 2. Simple and compact construction, quick 90 degrees on-off operation.
 3. Minimized operating torque, energy saving.
 4. Flow curve tending to straight line. Excellent regulation performance.
 5. Long service life. Standing the test of tens of thousands opening/closing operations.
 6. Bubbles-tight sealing with no leakage under the pressure test.
 7. Wide selection of materials, applicable for various medium.
 8. Gate valve, globe valve, cock, glue pipe valve and diaphragm valve altogether, especially reaching and need show in the pipes and power lines system of valve switch state at high layer of building fire protection system, all available this valve is replaced.

工作原理 The work principle

- 1、本信号蝶阀由蜗轮蜗杆传动装置驱动轴及蝶板旋转实现启闭和控制流量。
 - 2、旋转蜗轮蜗杆传动装置手轮，使蝶板达到启闭及调节流量的目的，手轮顺时针方向旋转为阀门关闭。
 - 3、蜗轮蜗杆传动装置箱体内部设置微动开关有两种型式：
 - (1) 在传动装置箱体内设有开向、关向两个微动开关，分别在阀门全开和关闭时动作，接通控制室“阀开”“阀关”指示灯电源，使之准确显示阀门开关状态。
 - (2) 在传动装置箱体内只设关向微动开关(蝶板全关闭位置为0°)。当蝶板由0~40°位置时微动开关动作，输出阀门关闭信号，40~90°位置时另一对常闭触点可输出阀门打开信号。可调整压触微动开关的凸轮，显示蝶板所处的不同位置。
1. This signal butterfly valve is by the pot wheel worm-drive device drive turning axle and the butterfly board revolving realizes opening and close and controls the volume of flow.
 2. Revolving the worm gear worm-drive device handwheel, making butterfly board achieve the purpose opening and close and adjusts the volume of flow, that the handwheel clockwise revolves closes down for the valve.
 3. The worm gear worm-drive device chest is set up the microswitch inside the body and is had two kinds of versions:
 - (1) At the gearing chest has out inside the body to and the pass to two microswitches. Two switches move respectively at the valve standard-sized sheet with when cutting out, the pilot lamp power supply in the connection control room "valve leaves" "valve pass", makes accurately shows the valve switch state.
 - (2) In the gearing chest body. The signal is closed down by the export valve to the microswitch action when the butterfly board is by 0~40° seat, and another can be send out the valve and opening the signal to often closing the contact during 40~90° seat. Can adjust the cam that the pressure was touched the microswitch, and show the different seats of butterfly board place.


XD371X


- 1、开度指示 Degree of opening instruction 2、接线端子 Wiring electric terminal 3、开向凸轮 Opening cam 4、出线口 Out of line mouth
 5、限位螺钉 Spacing screw 6、关向凸轮 Closing cam 7、“口”型圈 "mouth" mould circle 8、圆锥销 Pins 9、蝶板 Butterfly board
 10、阀座密封圈 The valve seat sealing-circle 11、转轴 Turning axle 12、轴套 Axle sleeve 13、阀体 Valve body 14、箱罩 Chest cover
 15、开向微动开关 Opening microswitch 16、关向微动开关 Closing microswitch 17、蜗杆轴 The worm spool 18、蜗杆 Worm
 19、蜗轮 Worm gear 20、箱体 Chest body 21、半圆键 Semicircle key

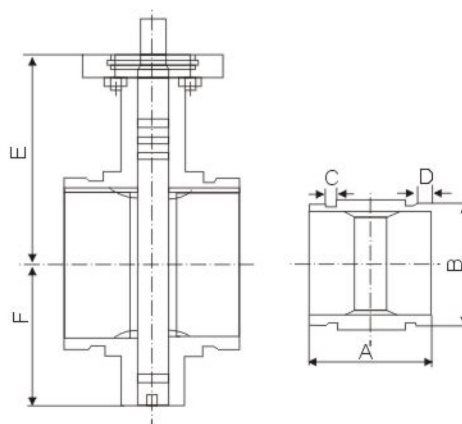
主要尺寸表和重量 Main dimensions and weight

DN		A	B	C	D1	D2	D3	D4	E	F	G	H	I	K	L	φ	α°	重量 Weight (kg)
mm	inch																	
50	2"	80	161	42	52.9	120	23	100	150	60	103	75	41	35	45	150	45	8
65	2.5"	89	175	44.7	64.5	136.2	26.5	120	150	60	103	75	41	35	47.6	150	45	8.7
80	3"	95	181	45.2	78.8	160	18	127	150	60	103	75	41	35	49	150	22.5	9.1
100	4"	114	200	52.1	104	185	24.5	156	150	60	103	75	41	35	54.7	150	22.5	10.4
125	5"	127	213	54.4	123.3	215	23	190	150	60	103	75	41	35	58	150	22.5	12.5
150	6"	139	226	55.8	155.6	238	25	212	150	60	103	75	41	35	58.6	150	22.5	13.3
200	8"	175	260	60.6	202.5	295	25/23	268	150	60	127	85	63	40	63.4	200	$\frac{22.5}{15}$	22.2
250	10"	203	292	65.6	250.5	357	29	325	150	60	127	85	63	40	70	200	15	28.2

注 Notes: 3"另有4孔符合JB79-59标准, Pg=10kgf/cm², D2=160, D3=18, α=45°
 3" have that 4 holes in addition fit the JB78-59 standards. Pg=10kgf/cm², D2=160, D3=18, α=45°

DN		A	B	C	D1	D2	N	Th0	Q	E	F	G	H	I	K	L	φ	重量 Weight (kg)
mm	inch																	
50	2"	80	161	42	52.9	125	4	M16	118	150	60	103	75	41	35	45	150	9.3
65	2.5"	89	175	44.7	64.5	145	4	M16	137	150	60	103	75	41	35	47.6	150	9.7
80	3"	95	181	45.2	78.8	160	8	M16	178	150	60	103	75	41	35	49	150	10.2
100	4"	114	200	52.1	104	180	8	M16	206	150	60	103	75	41	35	54.7	150	14.5
125	5"	127	213	54.4	123.3	210	8	M16	238	150	60	103	75	41	35	58	150	16.4
150	6"	139	226	55.8	155.6	240	8	M20	266	150	60	103	75	41	35	58.6	150	19.7
200	8"	175	260	60.6	202.5	295	$\frac{8}{12}$	M20	329	150	60	127	85	63	40	63.4	200	27.2
250	10"	203	292	65.6	250.5	$\frac{350}{355}$	12	$\frac{M20}{M24}$	393	150	60	127	85	63	40	70	200	35.8


D81X

D381X

简介 Brief

沟槽式蝶阀具有安装快速、简易、安全、可靠、不受安装场地限制、便于管道与阀门的维修保养，有隔振隔音与一定的角度范围内有克服管道连接不同轴而产生仿差，解决温差所产生热胀冷缩等优点。

广泛应用于输送流体管道的给排水、消防、空调、燃气、石油、化工、水处理、市政、造船等管道工程作为控制流体作用。

Grooved butterfly valve has the advantages of rapid installation, simple, safe, reliable, easy to install without space restrictions, pipeline and valve maintenance, vibration and sound isolation and a certain angle range has overcome the pipeline connecting different axis caused limitation, solve the temperature generated the advantages of thermal expansion and contraction. Widely used in water supply and drainage, fire, air conditioning, gas, oil, chemical, water treatment, municipal, shipbuilding and other pipeline projects as a control fluid.

性能规范 Technical data

公称压力(MPa) Nominal pressure	PN16	设计标准 Design standard	GB 5135.6-2003
强度实验压力(MPa) Strength test pressure	6.4	试验标准 Test standard	GB 5135.6-2003
密封实验压力(MPa) Seal test pressure	3.2	适用温度 Applicable temperature	-10~80℃
适用介质 Applicable medium	水、油、气及非腐蚀性介质 Water, oil, gas, non corrosive media		

主要零部件材料 Material of main parts

编号 No.	零件名称 Part name	材料 Material	编号 No.	零件名称 Part name	材料 Material
1	阀体 Valve body	球墨铸铁 Ductile iron	5	胶圈 Rubbering	橡胶 Rubber
2	蝶板 Butterfly disc	球墨铸铁 Ductile iron	6	定位盘 Positioning disc	不锈钢 Stainless steel
3	圆锥销 Conical pin	不锈钢 Stainless steel	7	手柄 Handle	碳钢 Carbon steel
4	阀杆 Valve stem	马氏体不锈钢、碳钢 Martensitic stainless steel, carbon steel			

主要尺寸表 Main dimensions

DN		A	B	C	D	E	F
mm	inch						
50	2"	92	60	8	16	100	53
65	2 1/2"	102	76	8	16	108	61
80	3"	102	89	8	16	114	68
100	4"	116	114	10	16	136	85
125	5"	125	141	10	16	162	99
150	6"	125	165	10	16	174	111
200	8"	138	219	11	19	204	145
250	10"	159	273	13	19	230	190
300	12"	166	324	13	19	270	230

用途 Use

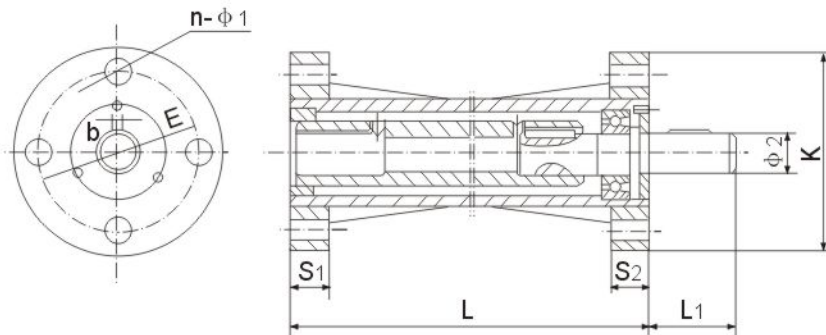
加长机构主要适用于地下管道阀门或不易接近的阀门用于加长传动装置使用。
 Extend spindle for underground pipes or difficult to close the valve valve gear for extended use.

特点 Features

1. 结构紧凑，体积小，可有效传递扭矩。
1. The structure of compact, small size, can effectively transmit torque.
2. 设计合理、装拆容易、便于维修。
2. The design of rational, assembly and disassembly easy, easy maintenance.

性能规范 Technical data

公称通径DN(mm) Nominal diameter	50(2")~800(32")
公称压力PN(MPa) Nominal pressure	1.6
加长压力(MPa) Extended pressure	0~10000


D371X

主要尺寸表 Main dimensions

DN		K	E	φ2	L	L1	S1	S2	b	n-φ1	键长
mm	inch										
50	2"	77	57.15	12.7	0-10000	32	15	15	3	4-φ6.7	16
65	2½"	77	57.15	12.7	0-10000	32	15	15	3	4-φ6.7	16
80	3"	77	57.15	12.7	0-10000	32	15	15	3	4-φ6.7	16
100	4"	92	69.85	15.8	0-10000	32	15	15	5	4-φ10.3	19
125	5"	92	69.85	19.05	0-10000	32	15	15	5	4-φ10.3	19
150	6"	92	69.85	19.05	0-10000	32	15	15	5	4-φ10.3	19
200	8"	115	88.9	22.2	0-10000	45	16	16	5	4-φ14.3	19
250	10"	115	88.9	28.6	0-10000	45	16	16	8	4-φ14.3	28
300	12"	140	107.95	31.8	0-10000	45	18	18	8	4-φ14.3	28
350	14"	140	107.95	31.8	0-10000	45	18	18	8	4-φ14.3	28
400	16"	197	158.75	33.34	0-10000	51	19	19	10	4-φ20.6	50
450	18"	197	158.75	38	0-10000	51	19	19	10	4-φ20.6	50
500	20"	197	158.75	41.15	0-10000	64	19	19	10	4-φ20.6	50
600	24"	276	215.9	50.65	0-10000	70	20	20	16	4-φ22.2	63
700	28"	308	254	55	0-10000	66	23	23	16	8-φ18	63
800	32"	308	254	55	0-10000	66	23	23	16	8-φ18	63

简介 Brief

我厂生产的防结露蝶阀采用了高性能顶盘材料，能有效地防止阀体部分的温差，隔离了管道内介质的传递，达到了执行器和连接法兰表面无结露。高性能的材料有很多出色的优点：如低吸水性、抗腐蚀性、绝热隔冷性能等，是普通材质蝶阀的4倍。适用于暖通、中央空调上下水成套设备、广泛应用于：水、气、油、化工、冶炼、能源、造船、电力、石油、水处理、建筑等各行业。

Our anti-condensation butterfly valve high performance top plate material, and can effectively prevent the body part of the temperature difference, isolation medium inside the tubes pass to the actuator and connect the flange surface condensation. The high-performance materials has many outstanding advantages: such as low water absorption, corrosion resistance, thermal insulation at cold performance is 4 times the ordinary materials butterfly valve. For equipment in the HVAC, central air conditioning up and down the water, lack of widely used in various sectors: water, gas, oil, chemical industry, metallurgy, energy, shipbuilding, electric power, petroleum, water treatment, construction.

特点 Features

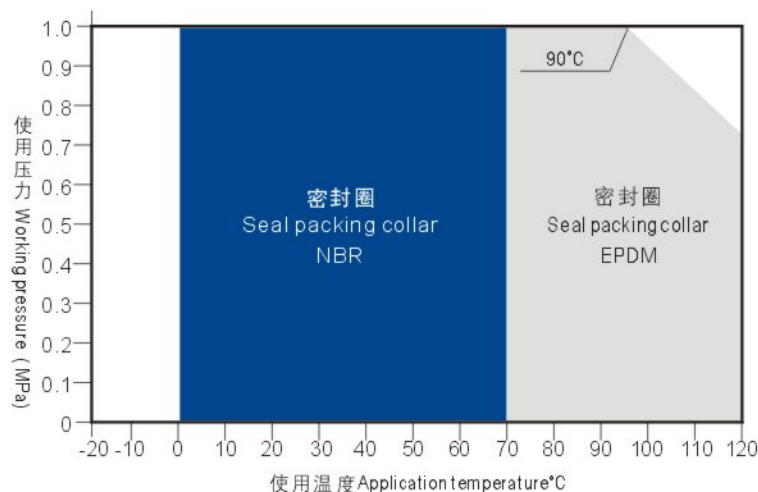
阀板是按一个完整的球形加工而成，密封面的每一部分都是球面的一部分，即使是阀板的上、下顶端处的轴向密封面处也不例外，这样的密封面在密封时，尽管有接触，却是相当平滑的，所以力矩减小了，密封性能改善了，特别是轴向密封处的摩擦减小了，采用这一技术的阀座寿命增加了三倍。阀板和阀环以同一球面加工，阀板无摩擦平稳地旋转。

The valve board is becomes according to a complete sphere processing, the packing surface each part all is a spherical surface part, even if is valve board on, under the peak axial packing surface place is not exceptional, such packing surface when seal, although has the contact, actually is quite smooth, therefore the moment of force reduced, the sealing property improved, specially the axial seal place friction reduced, used this technical the valve seat life to increase three times. The valve board and the valve ring by the identical spherical surface processing, the valve board friction steadily have not revolved.

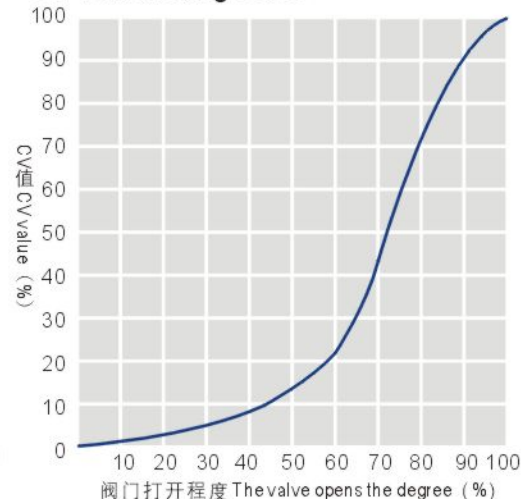
标准参数表 Standard parameter list

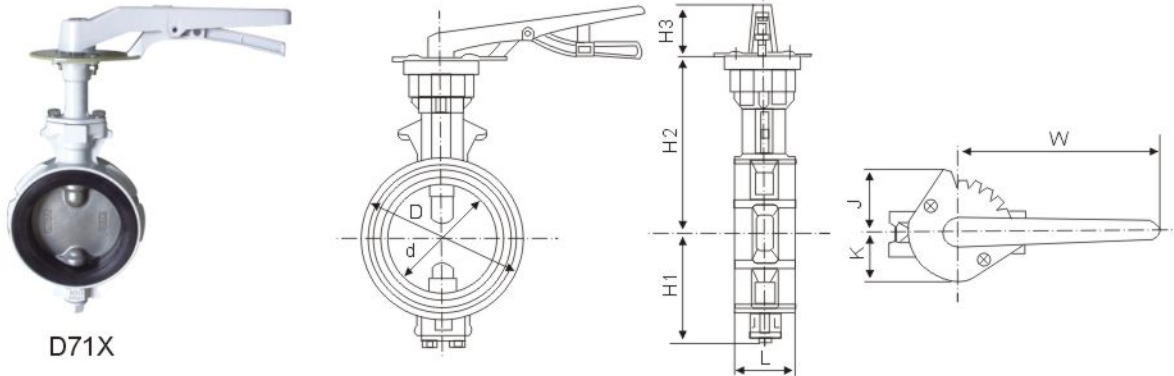
类型 Type	DF	结构长度 Structural length	JIS GB API
阀门公称通径 Valve nominal diameter	40mm~300mm	顶部法兰标准 Crown flange standard	国际标准 ISO 5211 GB code standard ISO 5211
适用法兰规格 Suitable flange specification	JIS ANSI GB	标准材质 Standard material quality	阀体: 铝合金 Valve body: Aluminum alloy
最大工作压力 Biggest working pressure	1.0MPa, 1.6MPa		阀板: 不锈钢 Valve board: Stainless steel
使用温度范围 Application temperature scope	-45~135℃ EPDM, -12~82℃ NBR		密封圈: EPDM (NBR) Seal packing collar: EPDM (NBR)
泄漏试验压力 Divulges the test pressure	1.1MPa, 1.76MPa	喷涂规格 Spurts spreads the specification	聚酯粉体涂料 Polyester powder body coating
阀体试验压力 Valve body test pressure	1.5MPa, 2.4MPa		
驱动形式 Actuation form	手柄、蜗轮、气动、电动 Handle, Worm, Pneumatic, Electric		

压力、温度参数 Pressure, temperature parameter

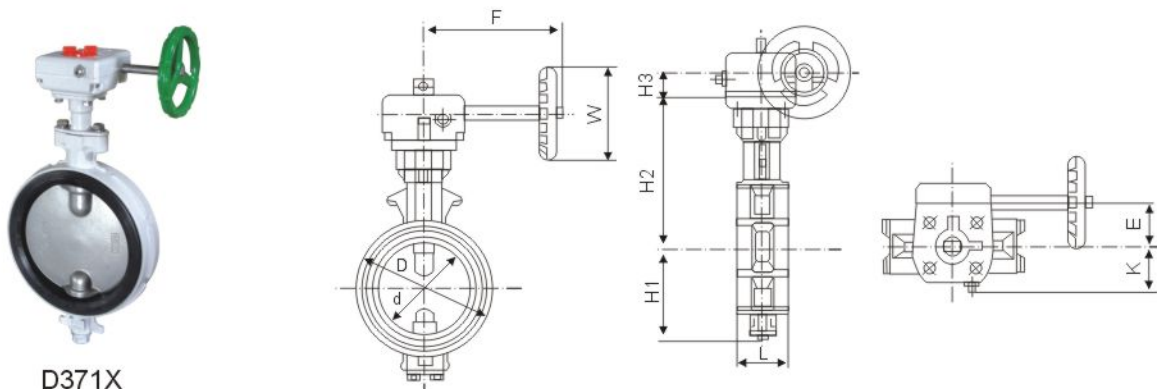


CV值、流量特性曲线 CV value, rating curve




D71X
主要尺寸表和重量 Main dimensions and weight

DN		d	L	D	H1	H2	H3	K	J	W	重量 (kg) Weight
mm	inch										
40	1 1/2"	45	35	80	61	132	49	45	67	160	1.4
50	2"	56	43	90	68	138	49	45	67	160	1.7
65	2 1/2"	69	46	115	79	151	49	45	67	160	2.1
80	3"	84	46	126	86	156	60	45	67	190	2.3
100	4"	104	52	148	103	167	60	45	67	190	2.8
125	5"	130	56	181	118	191	71	63	85	270	4.8
150	6"	153.5	56	211	135	202	71	63	85	270	6
200	8"	199	60	256	177	227	-	-	-	-	-
250	10"	253	68	322	215	280	-	-	-	-	-
300	12"	302	78	367	253	312	-	-	-	-	-


D371X
主要尺寸表和重量 Main dimensions and weight

DN		d	L	D	H1	H2	H3	E	F	K	W	重量 (kg) Weight
mm	inch											
40	1 1/2"	45	35	80	61	132	24	28	83	35	70	2
50	2"	56	43	90	68	138	24	28	83	35	70	2.3
65	2 1/2"	69	46	115	79	151	24	28	83	35	70	2.7
80	3"	84	46	126	86	156	35.5	46	145	45	100	2.9
100	4"	104	52	148	103	167	35.5	46	145	45	100	3.4
125	5"	130	56	181	118	191	36	53	160	51	125	5.8
150	6"	153.5	56	211	135	202	36	53	160	51	125	7.4
200	8"	199	60	256	177	227	36	71	208	65	200	9.6
250	10"	253	68	322	215	280	38.5	71	293	65	200	21.5
300	12"	302	78	367	253	312	38.5	71	293	65	200	31

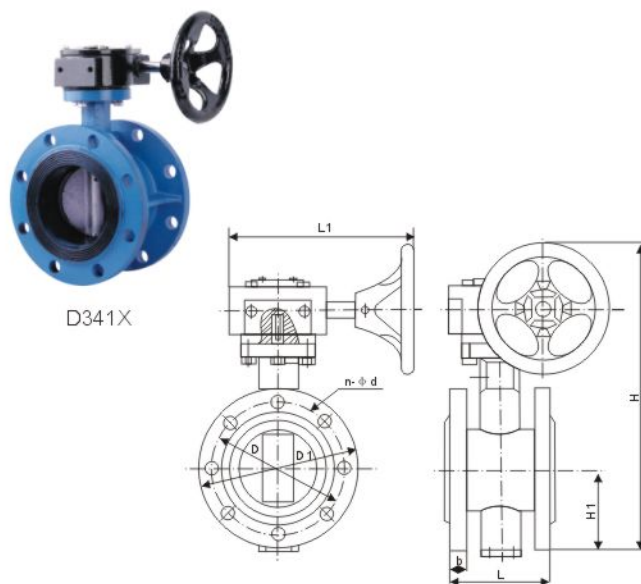
用途 Introduction

本公司生产的蜗轮传动法兰蝶阀，广泛应用于公称压力： \leq PN1.6MPa、适用温度： \leq 200℃的石油、化工、食品、医药、冶金、船舶、造纸、工业环保、给排水、高层建筑管道上，可在多种腐蚀性、非腐蚀性的气体、液体、浆流体及固体粉末管线和容器作启闭或调节介质流量之用。

The company's worm gear drive flange butterfly valve is widely used in the nominal pressure: \leq PN1.6MPa, application temperature: \leq 200℃ oil, chemical, food, medicine, metallurgy, shipbuilding, paper, industrial environmental protection, water supply and drainage, high-rise building the pipeline, in a variety of corrosive, non-corrosive gases, liquids, liquid and solid powder loading pipelines and containers for hoisting or adjust the flow of the medium used.

性能规范 Technical data

公称通径 DN(mm) Nominal diameter	DN50~1000
公称压力 PN(MPa) Nominal pressure	1.0~1.6
适用温度 °C Working temperature	-23~+121
适用介质 Suitable mediums	淡水、污水、海水、气体等 Fresh water, sewage, sea water, gas etc.


主要零部件材质 Material of main parts

零件名称 Part name	材料名称 Material name
阀体 Valve body	灰铸铁、球墨铸铁、不锈钢 Cast iron, ductile iron, stainless steel
阀板 Valve disc	球墨铸铁、不锈钢、铝合金 Ductile iron, Stainless steel, aluminium alloy
阀轴 Valve stem	碳钢、不锈钢 Carbon steel, stainless steel
阀座 Valve seat	橡胶 Rubber
密封 Seal	O型圈 O Type rang

主要尺寸表

DN		L	L1	D		D1	H	H1	b	n-φd	
mm	inch			PN1.0MPa	PN1.6MPa					PN1.0MPa	PN1.6MPa
50	2"	108	180	125	125	150	326	83	20	4-φ18	4-φ18
65	2½"	112	180	145	145	165	344	93	20	4-φ18	4-φ18
80	3"	114	180	160	160	200	363	100	22	4-φ18	8-φ18
100	4"	127	180	180	180	220	396	114	22	8-φ18	8-φ18
125	5"	140	180	210	210	250	421	125	24	8-φ18	8-φ18
150	6"	140	180	240	240	280	453	143	24	8-φ23	8-φ23
200	8"	152	270	295	295	335	578	170	26	8-φ23	12-φ23
250	10"	165	270	350	355	405	638	198	26	12-φ23	12-φ28
300	12"	178	380	400	410	455	731	223	32	12-φ23	12-φ28
350	14"	190	380	460	470	525	783	270	36	16-φ23	16-φ28
400	16"	216	450	515	525	580	888	300	38	16-φ28	16-φ31
450	18"	222	480	565	585	640	958	340	40	20-φ28	20-φ31
500	20"	229	480	620	650	705	1005	355	42	20-φ28	20-φ34
600	24"	267	480	725	770	825	1128	410	48	20-φ30	20-φ36
700	28"	292	640	840	840	920	1476	478	53	24-φ30	24-φ36
800	32"	318	640	950	950	1020	1533	525	58	24-φ33	24-φ39
900	36"	330	750	1050	1050	1120	1655	585	65	28-φ33	28-φ39
1000	40"	410	850	1160	1170	1340	1765	640	76	28-φ36	28-φ42
1200	48"	470	850	1380	1390	1560	1995	755	85	32-φ39	32-φ48
1400	56"	530	1000	1590	1590	1760	2310	910	103	36-φ42	36-φ48
1600	64"	600	1000	1820	1820	1970	2595	1030	123	40-φ48	40-φ56
1800	72"	697	1100	2020	2020	2180	2810	1140	135	44-φ48	44-φ56
2000	80"	760	1100	2230	2230	2345	3100	1250	145	48-φ48	48-φ62

简介 Brief

本蝶阀适用于温度 $\leq 80^{\circ}\text{C}$ ，用于石油、化工、食品、医药、轻纺、造纸、电力、给排水、气体管路上，作调节流量和截流介质的作用。具有补偿管道热胀冷缩的功能。

This butterfly valve is suitable to temperature $\leq 80^{\circ}\text{C}$, is used on petroleum, chemical industry foodstuff medicine gently the spinning and papermaking, power, plumbing and gas pipe route, and does the effect adjusted the volume of flow and dams a river the medium. Possess the bloated cold function that contracts of compensation pipeline heat.

特点 Features

- 1、设计新颖、合理、结构独特、重量轻、操作方便、启闭迅速。
- 2、本伸缩蝶阀既能起到调节流量和截流作用，又能补偿管道温差所产生的热胀冷缩功能。同时也便于安装和拆卸，为一阀多用产品。

1. The design is new and original and reasonable and the structure is unique and is light in weight and operates makes things convenient for and it is rapid case to close.
2. This stretch butterfly valve can act to adjust the volume of flow with damming a river the effect, to compensate that the pipeline difference in temperature is given rise to again hot expands to cool contracts the function, and but also being easy to at the same time install and dismanteles, uses the product for one valve more.

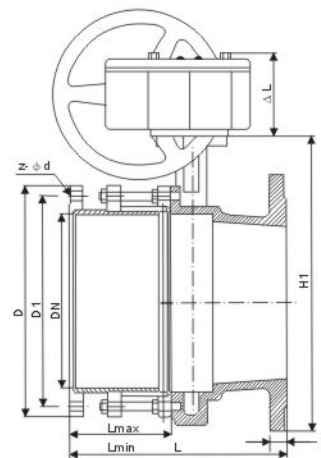
安装注意事项 Installation notes

- 1、本蝶阀安装前必须清洗内腔杂物。
- 2、本阀可在一定范围内伸缩，因此安装前必须松开伸缩部位的密封垫压盖，然后将伸缩节调节到所需位置锁紧管道螺栓后，再锁紧伸缩密封压盖，本阀不能超范围使用。

1. This butterfly valve must rinse the cavity odds and ends before the installation.
2. These valve approve in the field flex, hence fasten must loosen pars contractilis steric seal gland, then should telescopic joint regulate to required position keeper conduit bolt post, anew keeper flex gland, these valve be incapable of exceed scope use up on.



SD341X



主要零部件材料 Material of main parts

序号	零件名称 Part name	材料名称 Meterial name
1	阀体 Valve body	铸铁、球墨铸铁、铸钢、不锈钢 Cast iron, ductile iron, cast steel and stainless steel
2	阀板 Valve disc	球墨铸铁、铜合金、不锈钢 Ductile iron, copper allol and stainless steel
3	阀杆 Valve stem	2Cr13、45号钢 2Cr13, No.45 steel
4	阀座 Seat	耐磨橡胶、丁晴橡胶等 The fine rubber of wear-resisting rubber and NBR etc.
5	密封 Seal	丁晴橡胶O型垫等 The O mould pad of NBR

主要尺寸表 Main dimensions

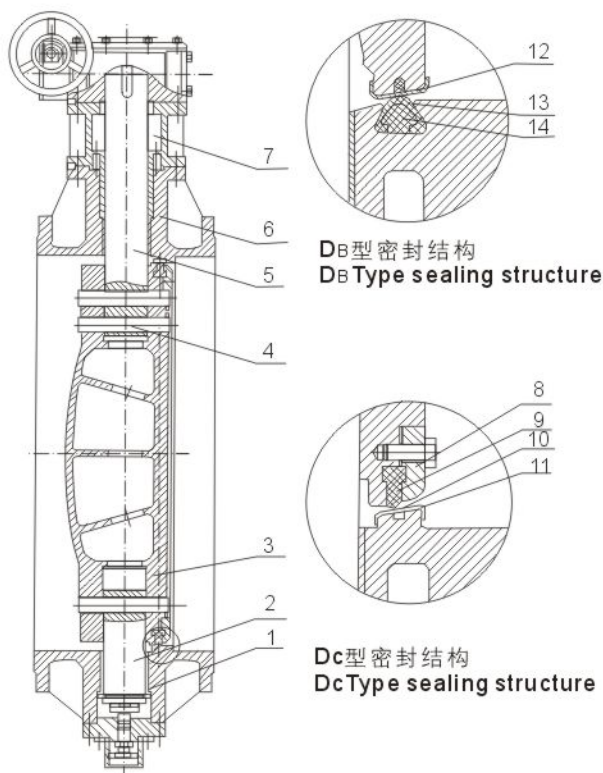
DN (mm)	最短 Lmin Shortest	安装标准 L Install standard	最长 Lmax Longest	伸缩量 ΔL Stretching capacity	H1	H2	D	D1	z- ϕ d	b
50	180	200	220	40 60	241	70	165	125	4- ϕ 18	21
65	190	210	230		264	70	180	145	4- ϕ 18	23
80	210	230	250		276	70	210	160	8- ϕ 18	23
100	237	257	277		314	70	238	180	8- ϕ 18	27
125	255	275	295		340	70	250	210	8- ϕ 18	27
150	280	300	320		365	70	290	240	8- ϕ 22	28
200	338	358	378		435	80	345	295	8- ϕ 22	29
250	350	380	410		495	80	405	350	12- ϕ 22	30
300	390	420	450		580	85	460	400	12- ϕ 22	30
350	420	450	480		635	85	505	460	16- ϕ 22	32
400	450	480	510		709	185	565	515	16- ϕ 26	32
450	480	510	540		750	185	625	565	20- ϕ 26	32
500	510	540	570		841	190	670	620	20- ϕ 26	34
600	570	600	630		1021	190	780	725	20- ϕ 30	36
700	630	660	690		1144	240	895	840	24- ϕ 30	40
800	690	720	750		1263	240	1015	950	24- ϕ 33	44

特点 Features

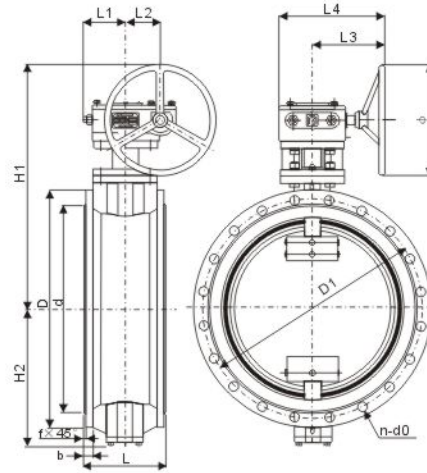
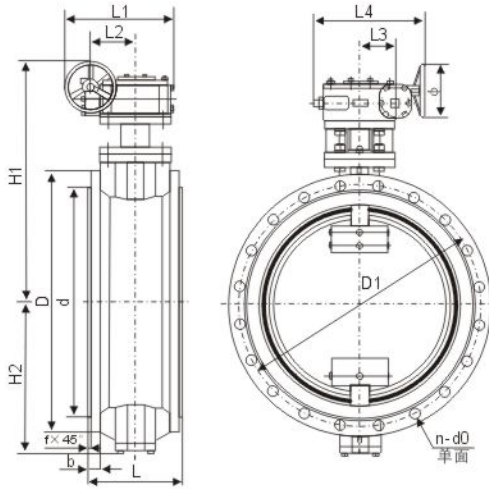
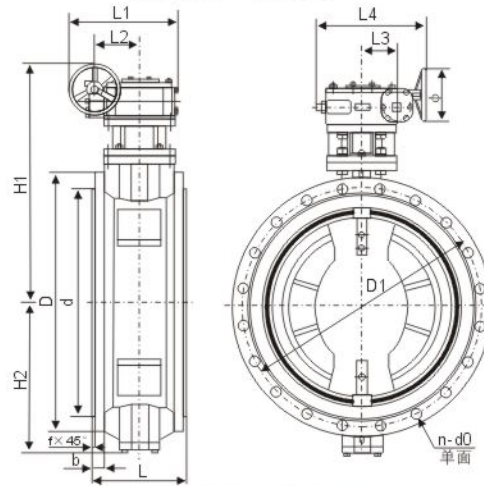
- 1、结构简单紧凑、重量轻, 90° 旋转, 启闭灵活迅速。
 - 2、采用偏心结构, 减少密封圈的摩擦, 延长阀门使用寿命。
 - 3、密封结构设计合理, 达到安全密封, 泄漏为零, 能适应较恶劣工况。
 - 4、更换阀板密封圈、O型圈、阀板、转轴等材质, 可适用多种介质和不同温度。
 - 5、阀体具有地脚支撑, 可实现阀门的立式或卧式安装。
 - 6、装拆容易, 便于维修。
- 1, Simple and compact structure ,light weight,90° rotation,quick and flexible opening and closing.
 - 2, Ecentric structure allows reduced friction with seal ring and extended service life.
 - 3, Sound seal design gives a full sealing without any leakage,thus ensuring a reliable application in adverse working condition.
 - 4, By changing disc seal ring,O ring,disc,shaft and the like,the product can be used in many different media and temperature conditions.
 - 5, The valve body is provided with foundation support,so it can be installed either vertically or horizontally.
 - 6, Easy to mount and dismantle thus convenient for servicing.

性能规范 Technical data

公称通径 Nominal diameter DN(mm)		100~1200
公称压力 Nominal pressure PN(MPa)		1.6
试验压力 Testing pressure	壳体 Shell	2.4
	密封 Sealing	1.76
适用温度 °C Suitable temperature		-10 ~ 80
适用介质 Suitable medium		淡水、污水、海水、空气 Portable water , sewage, sea water , air and etc.


主要零部件材料 Material of main parts

序号 No.	部件 Part	材质 Material
1	轴套 Bushing	ZCuZn38Mn2Pb2,钢背F4
2	下转轴 Bottom shaft	2Cr13
3	阀板 Disc	QT450-10
4	圆锥销 Taper pin	2Cr13
5	上转轴 Top shaft	2Cr13
6	阀体 Body	HT200,HT250,QT450-10
7	填料 Packing	丁腈橡胶NBR
8	压环 Retainer	QT450-10,Q235-A
9	阀板密封圈 Disc sealing ring	丁腈橡胶NBR
10	阀体钢环 Steel body ring	316SS
11	密封圈 Sealing ring	丁腈橡胶NBR
12	阀板钢环 Steel disc ring	0Cr18Ni9
13	填充物 Stuffing	环氧树脂 Epoxy resin
14	阀体密封圈 Body sealing ring	丁腈橡胶NBR


D343X

DN100~400mm

DN450~500mm

DN600~1200mm
主要尺寸表和重量 Main dimensions and weight

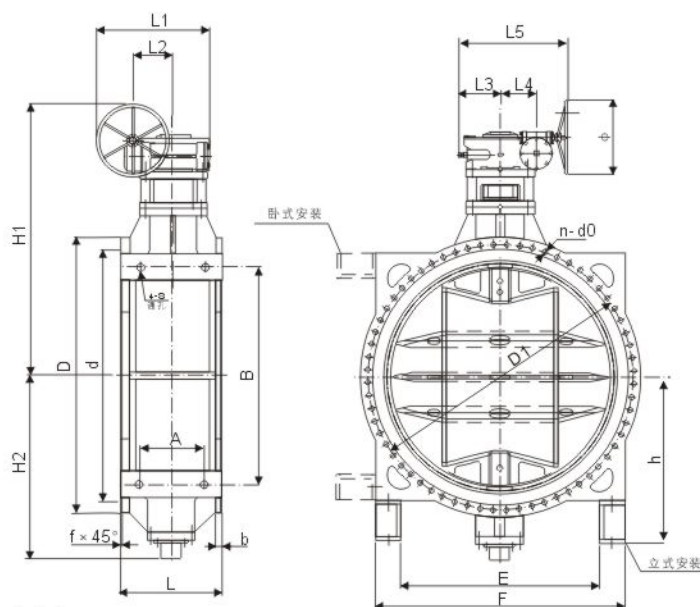
DN (mm)	传动装置 Gear operator	L	D	D1	d	n	d0	b	f	H1	H2	L1	L2	L3	L4	φ	重量(kg) Weight
100	XJ24	127	220	180	156	8	19	19	3	310	109	52	45	158	210	150	19
150	XJ24	140	285	240	211	8	23	19	3	440	143	52	45	158	210	150	37
200	XJ30	152	340	295	266	8	23	20	3	510	182	77	63	238	315	300	51
250	XJ30	165	395	350	319	12	23	22	3	565	219	77	63	238	315	300	68
300	4022	178	445	400	370	12	23	24.5	4	630	244	95	72	167	242	300	93
350	4023	190	505	460	429	16	23	24.5	4	715	283	110	91	188	275	400	122
400	4023	216	565	515	480	16	28	24.5	4	750	312	110	91	188	275	400	152
450	4024	222	615	565	530	20	28	25.5	4	820	344	473	147	109	420	400	182
500	4024	229	670	620	582	20	28	26.5	4	845	381	473	147	109	420	400	230
600	4025	267	780/755	725/705	682/667	20	31/26	30	5	950	451	533	179	138	476	400	388
700	4025	292	895/860	840/810	794/772	24	31/26	32.5	5	1010	526	533	179	138	476	400	480
800	4026	318	1015/975	950/920	901/878	24	34/31	35	5	1140	581	655	217	170	577	500	661
900	4026	330	1115/1075	1050/1020	1001/978	28/24	34/31	37.5	5	1197	643	655	217	170	577	500	813
1000	4026	410	1230/1175	1160/1120	1112/1078	28	37/31	40	5	1277	722	655	217	170	577	500	1018
1200	4027	470	1455/1405	1380/1340	1328/1295	32	40/34	45	5	1511	840	748	262	202	664	500	1501

注：表中有两个数据，分别表示PN1.0MPa和PN0.6MPa两种不同压力级的尺寸。

Note: there are two data in the table, respectively, PN1.0MPa and PN0.6MPa, respectively, the size of two different pressure levels.

性能规范 Technical data

公称通径DN(mm) Nominal diameter		1400~2000	2200~3000
公称压力PN(MPa) Nominal pressure		1.0	0.6
试验压力 Testing pressure	壳体 Shell	1.5	0.9
	密封 Sealing	1.1	0.66
适用温度 °C Suitable temperature		-10~80	
适用介质 Suitable medium		淡水、污水、海水、空气 Portable water,sewage,sea water,air and etc.	


D342X

主要尺寸表和重量 Main dimensions and weight

PN (MPa)	DN (mm)	传动装置 Gear operator	D	D1	d	b	f	n-d0	L	H1	H2	L1	L2	L3	L4	L5	φ	A	4-s	B	E	F	h	重量(kg) Weight
1.0	1400	4028	1675	1590	1530	46	5	36-43	530	1750	1150	884	334	305	238	790	500	310	33	1500	1360	1590	960	2895
	1600	4028	1915	1820	1750	49	5	40-49	600	1870	1305	884	334	305	238	790	500	340	33	1600	1460	1700	1050	3655
	1800	4028.5	2115	2020	1950	52	5	44-49	670	2125	1425	977	357.5	323	281	855	600	450	36	1900	1740	1990	1200	5210
	2000	4029	2325	2230	2150	55	5	48-49	760	2280	1580	1059	397.5	345	307.5	903	600	480	36	2000	1850	2100	1323	6721
	2200	4029.5	2550	2440	2370	58	6	52-56	580	2520	1710	1222	436	437.5	365.5	1075	800	400	36	2030	1830	2150	1410	7658
	2400	40210	2760	2650	2570	62	6	56-56	750	2760	1880	1303	476	480	410.5	1191	800	490	45	2310	2120	2460	1470	10350
	2600	40211	2960	2850	2780	66	6	60-56	900	3120	2010	1744	605	612	521	2024	1000	650	45	2400	2210	2540	1650	13708

PN (MPa)	DN (mm)	传动装置 Gear operator	D	D1	d	b	f	n-d0	L	H1	H2	L1	L2	L3	L4	L5	φ	A	4-s	B	E	F	h	重量(kg) Weight
0.6	1400	4027	1630	1560	1510	38	5	36-37	530	1695	1150	748	262	259	202	664	500	310	33	1500	1360	1590	960	2623
	1600	4028	1830	1760	1710	40	5	40-37	600	1870	1305	884	334	305	238	790	500	340	33	1600	1460	1700	1050	3559
	1800	4028	2045	1970	1918	42	5	44-40	670	2015	1425	884	334	305	238	790	500	450	36	1860	1700	1960	1180	4615
	2000	4028.5	2265	2180	2125	45	5	48-43	760	2235	1580	977	357.5	323	281	855	600	480	36	1960	1810	2060	1303	6162
	2200	4029	2475	2390	2335	48	6	52-43	580	2380	1710	1059	397.5	345	307.5	903	600	400	36	1970	1770	2090	1380	6735
	2400	4029.5	2685	2600	2545	52	6	56-43	750	2720	1880	1222	436	437.5	365.5	1075	800	490	45	2310	2120	2460	1470	9586
	2600	4029.5	2905	2810	2750	54	6	60-49	900	2870	2010	1222	436	437.5	365.5	1075	800	650	45	2400	2210	2540	1650	12387
	2800	40210	3115	3020	2960	56	6	64-49	1000	3035	2050	1303	476	480	410.5	1191	800	860	45	2540	2300	2700	1760	14238
	3000	40211	3315	3220	3160	60	6	68-49	1000	-	2300	1744	605	612	521	2024	1000	860	45	2650	2520	2920	1840	-

简介 Brief

本蝶阀适用于石油、化工、冶金、给排水、工业环保等下水道及工艺流程配置中，作双向启闭或调节介质流量之用(安装时采用立式安装，手轮向上)。

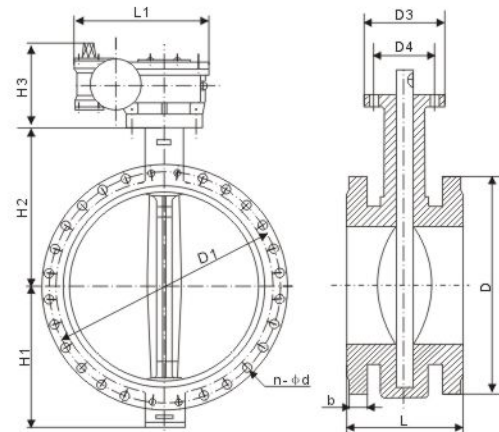
This butterfly valve is suitable for the installation of oil, chemical, metallurgy, water supply and drainage, industrial environment protection and other process flow and process flow.

性能规范 Technical data

公称压力PN(MPa) Nominal pressure	1.0	1.6
密封试验(MPa) Seal test	1.1	1.76
强度试验(MPa) Strength test	1.5	2.4
适用介质 Suitable mediums	水、污水、海水、酸碱类 Water,sewage,sea water,acid and alkali	
适用温度℃ Working temperature	-21~150	


DSD341X
主要零部件材料 Material of main parts

零件名称 Part name	材料 Material
阀体 Valve body	铸铁、球墨铸铁、铸钢、不锈钢 Cast iron, nodular cast iron, cast steel, stainless steel
阀板 Valve disc	球铁镀镍、不锈钢覆尼龙、聚四氟乙烯 Ductile iron nickel plated, stainless steel, PTFE
阀座 Valve seat	丁腈橡胶、乙丙橡胶、海水专用、氟橡胶、四氟 NBR,EPDM,sea water,VITON,PTFE
阀杆 Valve stem	不锈钢、45#镀镍 Stainless steel,45#nickel plated
填料 Packing	丁腈橡胶、乙丙橡胶、氯丁橡胶、四氟橡胶、油性盘根 NBR,EPDM,Neoprene,PTFE,Oily packing


主要尺寸表 Main dimensions

DN (mm)	L	L1	D		D1		D3	D4	H1	H2	H3	b	n-φd	
			1.0	1.6	1.0	1.6							1.0	1.6
50	108	160	165	165	125	125	77	57	83	130	60	18	4-φ18	4-φ18
65	112	160	185	185	145	145	77	57	93	140	60	18	4-φ18	4-φ18
80	114	160	200	200	160	160	77	57	100	150	60	20	8-φ18	8-φ18
100	127	160	220	220	180	180	92	70	110	165	60	20	8-φ18	8-φ18
125	140	160	250	250	210	210	92	70	123	180	60	22	8-φ18	8-φ18
150	140	160	285	285	240	240	92	70	143	200	60	22	8-φ22	8-φ22
200	152	210	340	340	295	295	115	89	171	230	72	24	8-φ22	12-φ22
250	165	210	390	405	350	355	115	89	203	270	72	24	12-φ22	12-φ26
300	178	210	440	460	400	410	140	108	230	320	75	26	12-φ22	12-φ26
350	190	210	500	520	460	470	140	108	260	350	75	26	16-φ22	16-φ26
400	216	320	565	580	515	525	197	159	300	390	126	28	16-φ26	16-φ30
450	222	320	615	640	565	585	197	159	335	428	126	30	20-φ26	20-φ30
500	229	320	670	715	620	650	197	159	373	450	126	32	20-φ26	20-φ33
600	267	340	780	840	725	770	276	216	430	520	127	34	20-φ30	20-φ36
700	292	380	895	910	840	840	300	254	470	600	167	36	24-φ30	24-φ36
800	318	380	1015	1025	950	950	300	254	523	662	167	36	24-φ30	24-φ39
900	330	400	1115	1125	1050	1050	300	254	589	710	193	40	28-φ33	28-φ39
1000	410	400	1230	1255	1160	1170	300	254	656	780	193	42	28-φ36	28-φ42

简介 Brief

软密封偏心结构伸缩型法兰蝶阀是集法兰蝶阀、伸缩节于一体的新颖结构，以其良好的使用性能而深受用户的信赖。本产品主要适用于水厂、电厂、钢厂、石油化工、食品医药、轻纺、造纸等系统给排水用，可作为老管道改造、维修和配套阀门的换代，尤其适用于水管路中作为调节和截流设备使用。

Soft sealing eccentric structure telescopic flange butterfly valve is a set of flange butterfly valve, expansion joint in one of the novel structure, with its good performance and trusted by the user. This product is mainly used in waterworks, power plants, steel mills, oil and chemical industry, medicine, food, textile, paper and other system used for water supply and drainage, as the transformation of the old pipeline, maintenance and supporting the valve replacement, especially in water as a regulator and the use of closure devices.

特点 Features

- 1、设计合理，结构紧凑，90°旋转，启闭灵活。
- 2、采用偏心结构，密封副之间自动建立密封比压，减少密封面的摩擦，延长阀门使用寿命。
- 3、密封结构无机械连接，能适应较恶劣的工况。完全密封，泄露为零。阀座抗冲刷能力强。
- 4、伸缩部位密封性能可靠，安装拆卸方便。
- 5、能适应一定量的管路错位和倾斜，管路连接不需焊接。

- 1, Reasonable design, compact structure, 90° rotation, opening and closing flexible.
- 2, The use of eccentric structure, the seal between the automatic seal, reducing the friction of the sealing surface, to extend the life of the valve.
- 3, Sealing structure without mechanical connection, can adapt to the harsh conditions. Completely sealed, leaked to zero. Strong anti flush valve seat.
- 4, Sealing performance is reliable, easy to install and remove.
- 5, Can adapt to a certain amount of pipeline dislocation and tilt, pipeline connection does not need to weld.

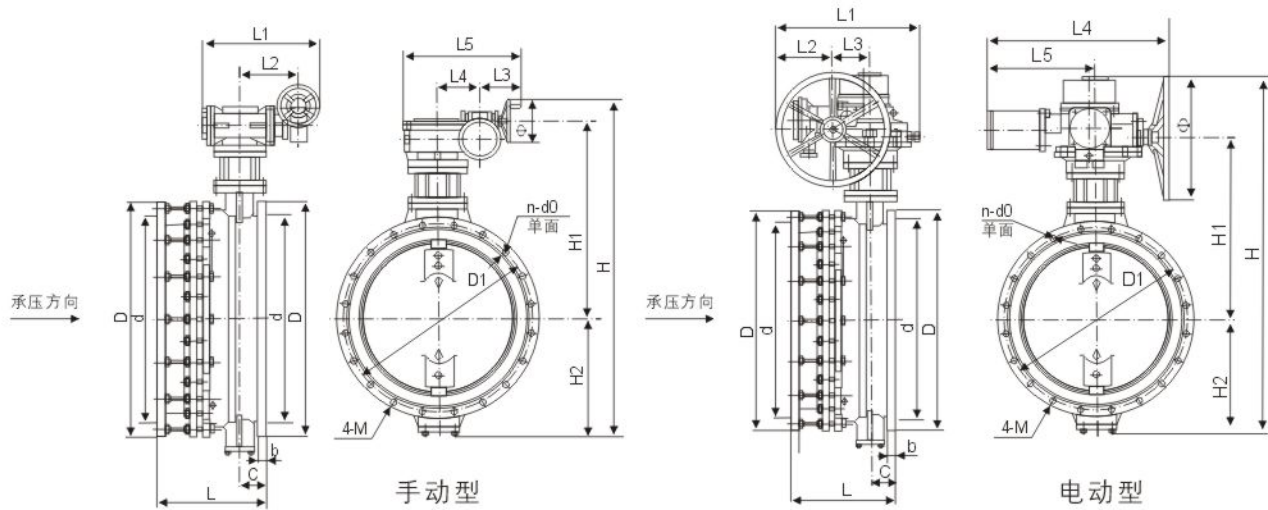

SD343X

性能规范 Technical data

公称通径 DN(mm) Nominal diameter		300~2000
公称压力 PN(MPa) Nominal pressure		1.0
试验压力 Testing pressure	壳体 Shell	1.5
	密封 Sealing	1.1
适用温度 °C Working temperature		-15~+120
适用介质 Suitable mediums		饮用水、污水、海水等 Drinking water, sewage, sea water, etc.

主要零部件材料 Material of main parts

零件名称 Part name	材料 Material
阀体 Valve body	球墨铸铁、灰铸铁 Ductile iron, grey cast iron
阀板 Valve disc	球墨铸铁 Ductile iron
转轴 Shaft	不锈钢 Stainless steel
轴套 Axle sleeve	铸铜、钢背F4 Cast copper, steel back F4
阀板密封圈 Valve plate seal ring	各种橡胶 All kinds of rubber
填料 Packing	各种橡胶 All kinds of rubber


SD343X主要尺寸表 Main dimensions

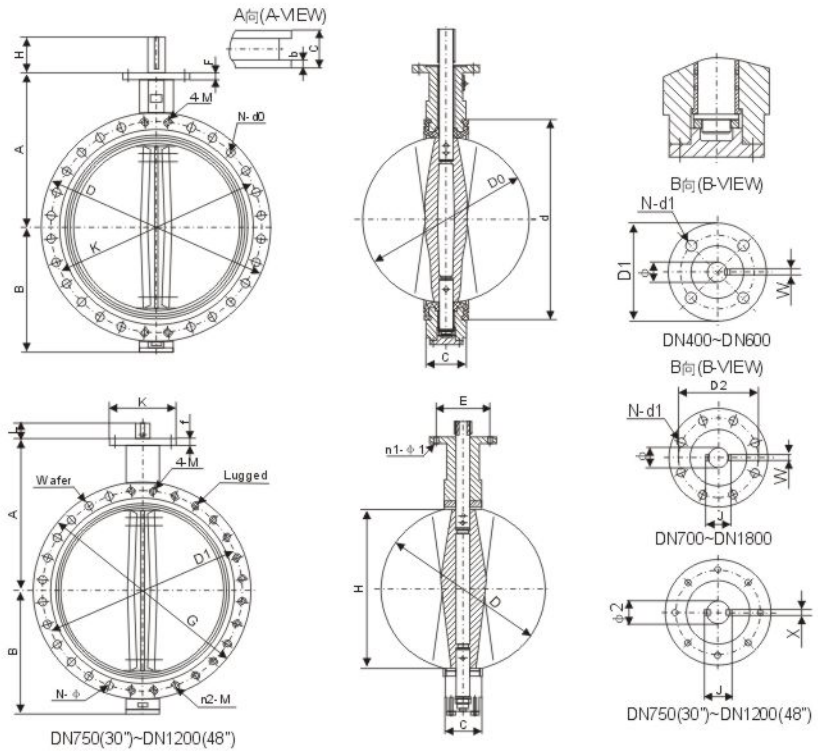
DN (mm)	手动装置	D	D1	d	b	C	L			n-d0	4-M	H	H1	H2	L1	L2	L3	L4	L5	φ	重量(kg) Weight
							L0	Lmax	Lmin												
300	3D-30/250	445	400	370	28	57	282	302	252	8-23	M20	959	542	267	449	178	254	104	473	300	148
350	3D-30/250	505	460	429	30	64	301	321	271	12-23	M20	1048	583	315	449	178	254	104	473	300	188
400	3D-30/250	565	515	480	32	70	313	333	283	12-28	M24	1120	620	350	449	178	254	104	473	300	237
450	3D-30/250	615	565	530	32	76	334	354	304	16-28	M24	1190	667	373	449	178	254	104	473	300	268
500	3D-30/400	670	620	582	34	76	346	366	316	16-28	M24	1280	702	428	486	196	254	130	528	300	289
600	3D-60/800	780	725	682	36	89	398	418	368	16-31	M27	1409	759	450	627	244	245	162	596	400	480
700	3D-60/800	895	840	794	40	115	425	445	395	20-31	M27	1613	885	528	627	244	245	162	596	400	615
800	3D-120/1500	1015	950	901	44	120	455	475	425	20-34	M30	1736	1013	573	635	270	295	196	711	300	818
900	3D-120/1500	1115	1050	1001	46	120	485	505	455	24-34	M30	1860	1071	639	635	270	295	196	711	300	956
1000	3D-120/1500	1230	1160	1112	50	150	495	515	465	24-37	M33	2107	1234	723	955	455	296	295	807	300	1277
1200	3D-120/1500	1455	1380	1328	56	175	542	562	512	28-40	M36	2326	1343	833	955	455	296	295	807	300	1764
1400	3D-200/4000	1675	1590	1530	62	195	612	632	582	32-43	M39	2996	1668	1078	1270	598	387	414	1089	500	4280
1600	3D-200/4000	1915	1820	1750	68	220	640	660	610	36-49	M45	3246	1778	1218	1270	598	387	414	1089	500	4953
1800	3D-200/12000	2115	2020	1950	70	245	710	730	680	40-49	M45	3720	2044	1426	1625	745	387	602	1399	500	7416
2000	3D-600/12000	2325	2230	2150	74	270	775	795	745	44-49	M45	3851	2115	1486	1630	750	417	602	1430	500	9372

SD943X主要尺寸表 Main dimensions

DN (mm)	电动装置	D	D1	d	b	C	L			n-d0	4-M	H	H1	H2	L1	L2	L3	L4	L5	φ	重量(kg) Weight
							L0	Lmax	Lmin												
300	802.250-1	445	400	370	28	57	282	302	252	8-23	M20	1008	531	267	473	148	140	625	365	500	181
350	802.250-1	505	460	429	30	64	301	321	271	12-23	M20	1097	572	315	473	148	140	625	365	500	221
400	802.250-1	565	515	480	32	70	313	333	283	12-28	M24	1169	609	350	473	148	140	625	365	500	270
450	802.250-1	615	565	530	32	76	334	354	304	16-28	M24	1219	636	373	473	148	140	625	365	500	301
500	802.500-0.5	670	620	582	34	76	346	366	316	16-28	M24	1318	680	428	473	148	140	625	365	500	307
600	802.500-0.5	780	725	682	36	89	398	418	368	16-31	M27	1380	720	450	473	148	140	625	365	500	446
700	802.1000-0.2	895	840	794	40	115	425	445	395	20-31	M27	1839	829	528	590	148	140	696	230	500	691
800	ZA36024-3D1500	1015	950	901	44	120	455	475	425	20-34	M30	1663	942	573	740	215	196	1028	612	305	910
900	ZA36024-3D1500	1115	1050	1001	46	120	485	505	455	24-34	M30	1787	1000	639	740	215	196	1028	612	305	1048
1000	ZA36024-3D1500	1230	1160	1112	50	150	495	515	465	24-37	M33	1983	1108	723	970	310	295	1123	612	305	1355
1200	ZA312024-3D2500	1455	1380	1328	56	175	542	562	512	28-40	M36	2202	1217	833	970	310	295	1123	612	305	1842
1400	ZA416024-3D4000	1675	1590	1530	62	195	612	632	582	32-43	M39	2861	1472	1078	1224	422	414	1452	750	457	4345
1600	ZA416024-3D4000	1915	1820	1750	68	220	640	660	610	36-49	M45	3111	1582	1218	1224	422	414	1452	750	457	4992
1800	ZA424024-3D12000	2115	2020	1950	70	245	710	730	680	40-49	M45	3585	1848	1426	1640	630	602	1762	750	457	7360
2000	ZA424024-3D12000	2325	2230	2150	74	270	775	795	745	44-49	M45	3672	1875	1486	1995	630	602	1762	750	457	9050



D341X


国标主要尺寸表 (PN16) GB Main dimensions (PN16)

DN (mm)	A	B	H	D0	C	D	K	d	N-d0
400	360	320	60	390	102	580	525	460	12-31
450	400	360	60	441	114	640	585	496	16-31
500	455	390	75	492	127	715	650	560	16-34
600	520	450	75	593	154	840	770	658	16-37
700	580	505	75	695	165	910	840	773	20-37
800	670	560	75	795	190	1025	950	872	20-41
900	705	630	110	865	203	1125	1050	987	24-41
1000	780	670	135	965	216	1255	1170	1073	24-44
1100	840	740	135	1065	251	1355	1270	1203	28-44
1200	910	790	150	1160	254	1485	1390	1302	28-50
1300	990	910	150	1260	279	1585	1490	1395	28-50
1400	1017	993	200	1359	279	1685	1590	1495	28-50
1500	1080	1040	200	1457	318	1820	1710	1638	28-57
1600	1150	1132	200	1556	318	1930	1820	1696	32-57
1800	1280	1270	280	1775	356	2130	2020	1893	36-57
2000	1390	1350	280	1955	406	2345	2230	2105	40-62

4-M	b	D1	D2	N-d1	F	φ	W	J	重量(kg) Weight
4-M27	24.5	175	140	4-18	22	37.95	10	41.0	102
4-M27	25.5	175	140	4-18	22	42.86	12	45.9	141
4-M30	26.5	175	140	4-18	22	45.72	14	49.2	158
4-M33	30.0	210	165	4-22	22	53.98	16	58.0	232
4-M33	32.5	300	254	8-18	30	63.35	18	71.4	308
4-M36	35.0	300	254	8-18	30	70.00	20	79.0	420
4-M36	37.5	300	254	8-18	34	80.00	22	90.0	550
4-M39	40.0	300	254	8-18	34	90.00	25	100.0	895
4-M39	43.0	350	298	8-22	34	95.00	25	105.0	1170
4-M45	45.0	350	298	8-22	34	105.00	28	117.0	1350
8-M45	45.5	415	356	8-33	40	120.00	32	134.0	2350
8-M45	46.0	415	356	8-33	40	120.00	32	134.0	2650
8-M52	47.5	415	356	8-33	40	140.00	36	156.0	2920
8-M52	49.0	475	406	8-40	50	140.00	36	156.0	3140
8-M52	52.0	475	406	12-40	55	160.00	40	178.0	4890
8-M56	55.0	560	483	12-40	55	180.00	45	200.0	7120

美标主要尺寸表 (CWP=200PSI) API Main dimensions (CWP=200PSI)

DN (inch)	A	B	H	D0	C	D	K	d	N-d0
16"	360	320	60	390	102	597	539.7	460	12-28.7
18"	400	360	60	441	114	635	577.8	496	12-31.8
20"	455	390	75	492	127	699	635.0	560	16-31.8
22"	500	420	75	544	151	749	692.1	610	16-35.1
24"	520	450	75	592	154	813	749.3	658	16-35.1
26"	550	480	75	644	165	870	806.4	722	20-35.1
28"	580	505	75	695	165	927	863.6	773	24-35.1
30"	580	530	75	744	167	984	914.4	832	24-35.1
32"	670	560	75	795	190	1061	977.9	872	24-41.1
36"	705	630	110	865	203	1168	1085.8	987	28-41.1
40"	780	670	135	965	216	1289	1200.2	1073	32-41.1
42"	810	710	135	1030	251	1346	1257.3	1152	32-41.1
44"	840	740	135	1065	251	1403	1314.4	1203	36-41.1
48"	910	790	150	1160	276	1511	1422.4	1302	40-41.1
54"	1030	940	150	1310	381	1683	1593.8	1476	36-47.6
60"	180	1040	200	1457	390	1854	1758.9	1638	44-47.6
66"	1150	1132	200	1610	457	2032	1930.4	1802	44-47.6
72"	1280	1270	280	1775	457	2197	2095.5	1893	52-47.6

4-M	b	D1	D2	N-d1	F	φ	W	J	重量(kg) Weight
4-1	36.6	175	140	4-18	22	37.95	10	41.0	122
4-11/8	39.6	175	140	4-18	22	42.86	12	45.9	169
4-11/8	42.7	175	140	4-18	22	45.72	14	49.2	190
4-11/4	46.0	175	140	4-22	22	45.72	14	49.2	248
4-11/4	47.8	210	165	4-22	22	53.98	16	58.0	280
4-11/4	50.8	300	254	8-18	30	53.98	16	58.0	338
4-11/4	52.3	300	254	8-18	30	63.35	18	71.4	368
4-11/4	54.1	300	254	8-18	30	63.35	18	71.4	428
4-11/2	57.2	300	254	8-18	30	70.00	20	79.0	505
4-11/2	60.5	300	254	8-18	34	80.00	22	90.0	660
4-11/2	63.5	300	254	8-18	34	90.00	25	100.0	1070
4-11/2	66.8	300	254	8-18	34	95.00	25	105.0	1275
4-11/2	66.8	350	298	8-22	34	95.00	25	105.0	1400
4-11/2	69.9	350	298	8-22	34	105.00	28	117.0	1600
8-13/4	76.2	415	356	8-33	40	120.00	32	134.0	3000
8-13/4	79.5	415	356	8-33	40	140.00	36	156.0	3500
8-13/4	85.8	475	406	8-40	50	140.00	36	156.0	4000
8-13/4	88.9	475	406	12-40	55	160.00	40	178.0	5625

美标主要尺寸表 (PN1.0MPa 150PSI) API Main dimensions (PN1.0MPa 150PSI)

DN		A	B	C	D	L	H	D1	N-φ	K	E
mm	inch										
750	30"	660	560	167	744	66	726	914.4	24-35	300	254
900	36"	720	656	203	864.7	118	841	1085.8	28-41.3	300	254
1050	42"	858	777	251	1030	150	999	1257.3	32-41.3	300	254
1200	48"	941	864	276	1160	150	1127	1422.4	40-41.3	350	298

4-M	φ2	G	n2-M	n1-φ1	f	J	X	重量(kg) Weight
4-11/4-7UNC-2B	63.35	984	24-11/4-7UNC-2B	8-18	28	71.35	18	480
4-11/2-6UNC-2B	75	1168	28-11/2-6UNC-2B	8-18	34	84	20	728
4-11/2-6UNC-2B	95	1346	32-11/2-6UNC-2B	8-18	35	105	25	976
4-11/2-6UNC-2B	105	1511	40-11/2-6UNC-2B	8-22	35	117	28	1374

简介 Brief

我公司引进能够国外先进技术的基础上，采用精密的三偏心多层次金属硬密封结构，被广泛用于介质温度 $\leq 425^{\circ}\text{C}$ 的冶金、电力、石油化工、以及给排水和市政建设等工业管道上，作调节流量和截断流体使用。阀座与碟板密封面均采用不同硬度和不锈钢制作，具有良好的耐腐蚀性，使用寿命长，本阀均由双向密封功能，产品符合国家GB/T13927阀门压力试验标准。

Company introduction to on the basis of foreign advanced technology, the precision of the three eccentric multi-level metal hard seal structure, is widely used in medium temperature $\leq 425^{\circ}\text{C}$ of the metallurgy, electric power, petrochemical, and to the drainage and municipal construction and other industrial pipeline, adjust the flow and load flow. Valve seat and disc sealing surface are made of different hardness and stainless steel, with good corrosion resistance, long service life, the valve is a two-way sealing function, the product conforms to the national GB/T13927 valve pressure test standards.

特点 Features

- 1、本阀采用三偏心密封结构，阀座与蝶板几乎无磨损，具有越观越紧的密封功能。
 - 2、密封圈选用不锈钢制作，具有金属硬密封和弹性密封的双重优点，无论在低温和高温的情况下，均具有优良的密封性能，具有耐腐蚀、使用寿命长等特点。
 - 3、碟板密封面采用堆焊钴基硬质合金，密封面耐磨损，使用寿命长。
 - 4、大规格蝶板采用桁架结构，强度高，过流面积大，流阻小。
 - 5、本阀具有双向密封功能，安装时不受介质流向的限制，也不受空间位置的影响，可在任何方向安装。
 - 6、驱动装置可以多工位（旋转 90° 或 180° ）安装，便于用户使用。
1. The valve uses three eccentric sealing structure, the valve seat and disc almost no wear, with the more closely the sealing function.
 2. Sealing ring selection of stainless steel production, with a metal hard sealing and flexible sealing double advantages, both in the case of low temperature and high temperature, have excellent sealing performance, with corrosion resistance, long life and so on.
 3. The disc sealing surface using cobalt based alloy welding, sealing surface wear resistance, long service life.
 4. Large format disc using lattice structure, high strength, large flow area, flow resistance is small.
 5. The valve has a two-way sealing function, the installation is not restricted by the direction of the media, nor by the impact of spatial position, can be installed in any direction.
 6. The driving device can be multi station (rotating 90° or 180°) to install, easy to use.

执行标准 Implementation of standards

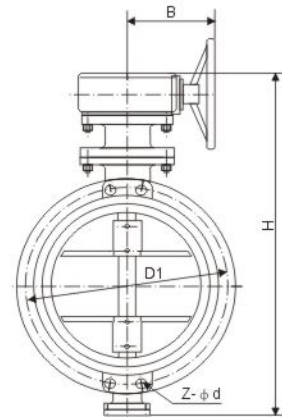
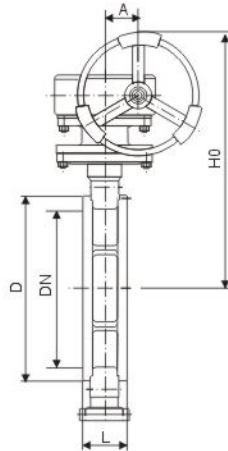
制造标准 Manufacturer standard	JB/T 8527
法兰标准 Flange standard	GB 9113
结构长度标准 Structure length standard	GB12221
检验标准 Inspection standard	GB/T 13927

性能规范 Technical data

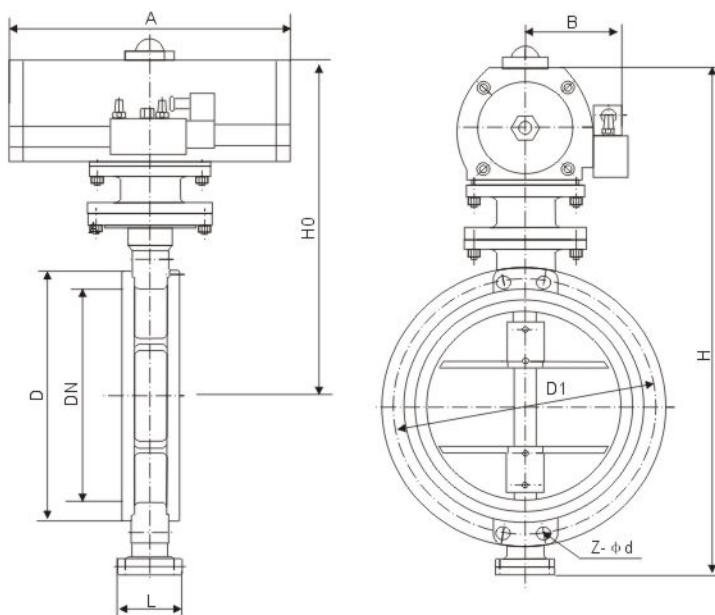
公称压力PN(MPa) Nominal pressure	1.0	1.6
密封试验(MPa) Seal test	1.1	1.76
强度试验(MPa) Strength test	1.5	2.4
适用温度 $^{\circ}\text{C}$ Working temperature	碳钢 Carbon steel: $-29\sim 425^{\circ}\text{C}$ 、不锈钢 Stainless steel: $-40\sim 650^{\circ}\text{C}$	
适用介质 Suitable mediums	水、空气、天然气、油品及弱腐蚀性流体 Water, air, natural gas, oil and weak corrosive fluids	

主要零部件材料 Material of main parts

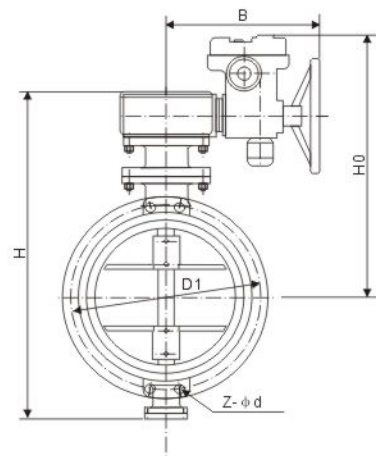
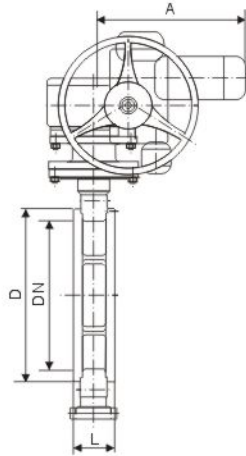
零件名称 Part name	材料 Material
阀体 Valve body	WCB, QT450-10, Q235, 合金钢、不锈钢等 Alloy steel, stainless steel, etc.
阀轴 Valve stem	合金钢、不锈钢 Alloy steel, stainless steel
密封圈 Seal ring	不锈钢复合多层次 Stainless steel composite multi-level
填料 Packing	柔性石墨或盘根 Flexible graphite or stuffing
阀座 Valve seat	不锈钢、钴基硬质合金 Stainless steel, cobalt based hard alloy
阀杆 Valve stem	不锈钢 Stainless steel


D373H

主要尺寸表和重量 Main dimensions and weight

PN (MPa)	DN (mm)	L	D	D1	Z-φd	H	H0	A	B	重量 (kg) Weight
1.0	150	70	211	240	8-φ22	385	230	66	150	64
	200	71	266	295	8-φ22	471	297	85	170	94
	250	76	319	350	12-φ22	533	327	85	170	108
	300	83	370	400	12-φ22	606	364	106	205	137
	350	92	429	460	16-φ22	694	404	106	205	156
	400	102	480	515	16-φ26	757	444	130	240	191
	450	114	530	565	20-φ26	814	472	155	240	246
	500	127	582	620	20-φ26	902	522	169	306	358
	600	154	682	725	20-φ30	1048	590	198	324	512
	700	165	794	840	24-φ30	1277	810	220	335	548
	800	190	901	950	24-φ33	1385	844	241	356	654
	900	203	1001	1050	28-φ33	1490	890	241	356	697
	1000	216	1112	1160	28-φ36	1620	950	241	356	1320
	1200	254	1328	1380	32-φ39	2191	1340	35	785	1425
	1400	390	1530	1590	36-φ42	2326	1450	35	785	1943
	1600	440	1750	1820	40-φ48	2685	1590	35	785	2854
1800	490	1950	2020	44-φ48	2924	1710	60	865	3639	
2000	540	2150	2230	48-φ48	3186	1854	60	865	4982	
1.6	150	70	211	240	8-φ22	385	230	66	150	66
	200	71	266	295	12-φ22	471	297	85	170	90
	250	76	319	355	12-φ26	533	327	85	170	116
	300	83	370	410	12-φ26	606	364	106	205	145
	350	92	429	470	16-φ26	694	404	106	205	167
	400	102	480	525	16-φ30	757	444	130	240	202
	450	114	548	585	20-φ30	814	472	155	240	257
	500	127	609	650	20-φ33	902	522	169	306	381
	600	154	720	770	20-φ36	1048	590	198	324	659
	700	165	794	840	24-φ30	1277	810	220	335	918
	800	190	901	950	24-φ39	1385	844	241	356	1205
	900	203	1001	1050	28-φ39	1490	890	241	356	1526
	1000	216	1112	1170	28-φ42	1620	950	241	356	1998
	1200	254	1328	1390	32-φ48	2191	1340	35	785	2120
	1400	390	1530	1590	36-φ48	2326	1450	35	785	2344
	1600	440	1750	1820	40-φ55	2685	1590	35	785	3466
1800	490	1950	2020	44-φ55	2924	1710	60	865	4348	
2000	540	2150	2230	48-φ60	3186	1854	60	865	5915	


D673H

主要尺寸表和重量 Main dimensions and weight

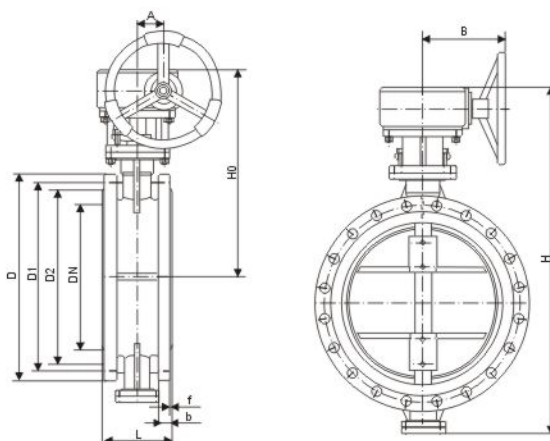
PN (MPa)	DN (mm)	L	D	D1	Z-φd	H	H0	A	B	重量 (kg) Weight
1.0	150	70	211	240	8-φ22	400	245	185	298	88
	200	71	266	295	8-φ22	486	302	402	419	93
	250	76	319	350	12-φ22	548	342	402	419	115
	300	83	370	400	12-φ22	621	379	470	437	155
	350	92	429	460	16-φ22	702	419	470	437	190
	400	102	480	515	16-φ26	775	460	490	461	216
	450	114	530	565	20-φ26	833	488	515	477	275
	500	127	582	620	20-φ26	920	530	531	493	340
	600	154	682	725	20-φ30	1048	590	1380	318	433
	700	165	794	840	24-φ30	1277	810	1380	318	616
	800	190	901	950	24-φ33	1385	844	1860	350	767
	900	203	1001	1050	28-φ33	1490	890	1860	350	808
	1000	216	1112	1160	28-φ36	1620	950	1860	350	1445
1.6	1200	254	1328	1380	32-φ39	2200	1180	685	358	1568
	1400	390	1530	1590	36-φ42	2340	1330	685	358	2209
	150	70	211	240	8-φ22	400	245	185	298	98
	200	71	266	295	12-φ22	486	302	402	419	102
	250	76	319	355	12-φ26	548	342	402	419	126
	300	83	370	410	12-φ26	621	379	470	437	170
	350	92	429	470	16-φ26	702	419	470	437	208
	400	102	480	525	16-φ30	775	460	490	461	245
	450	114	548	585	20-φ30	833	488	515	477	310
	500	127	609	650	20-φ33	920	530	531	456	358
	600	154	720	770	20-φ36	1066	608	603	517	560
	700	165	794	840	24-φ30	1295	828	603	517	990
	800	190	901	950	24-φ39	1405	862	697	545	1355
900	203	1001	1050	28-φ39	1510	908	697	617	1712	
1000	216	1112	1170	28-φ42	1820	970	697	617	2247	


D973H

主要尺寸表和重量 Main dimensions and weight

PN (MPa)	DN (mm)	L	D	D1	Z-φd	H	H0	A	B	重量 (kg) Weight
1.0	150	70	211	240	8-φ22	400	245	185	298	88
	200	71	266	295	8-φ22	486	302	402	419	93
	250	76	319	350	12-φ22	548	342	402	419	115
	300	83	370	400	12-φ22	621	397	470	437	155
	350	92	429	460	16-φ22	702	419	470	437	180
	400	102	480	515	16-φ26	775	460	490	461	216
	450	114	530	565	20-φ26	833	488	515	477	175
	500	127	582	620	20-φ26	920	530	531	493	340
	600	154	682	725	20-φ30	1066	608	603	517	433
	700	165	794	840	24-φ30	1295	828	603	517	616
	800	190	901	950	24-φ33	1405	862	697	545	767
	900	203	1001	1050	28-φ33	1510	908	697	617	808
	1000	216	1112	1160	28-φ36	1820	970	697	617	1445
	1200	254	1328	1380	32-φ39	2200	1180	685	358	1568
	1400	390	1530	1590	36-φ42	2340	1330	685	358	2209
	1600	440	1750	1820	40-φ48	2710	1456	250	1065	3120
1800	490	1950	2020	44-φ48	2950	1600	250	1065	4082	
2000	540	2150	2230	48-φ48	3250	1774	300	1175	5785	
1.6	150	70	211	240	8-φ22	400	245	185	298	98
	200	71	266	295	12-φ22	486	302	402	419	102
	250	76	319	355	12-φ26	548	342	402	419	126
	300	83	370	410	12-φ26	621	397	470	437	170
	350	92	429	470	16-φ26	702	419	470	437	208
	400	102	480	525	16-φ30	775	460	490	461	245
	450	114	548	585	20-φ30	833	488	515	477	310
	500	127	609	650	20-φ33	920	530	531	493	358
	600	154	720	770	20-φ36	1066	608	603	517	560
	700	165	794	840	24-φ30	1295	828	603	517	990
	800	190	901	950	24-φ39	1405	862	697	545	1355
	900	203	1001	1050	28-φ39	1510	908	697	617	1712
	1000	216	1112	1170	28-φ42	1820	970	697	617	2247
	1200	254	1328	1390	32-φ48	2200	1180	685	358	3056
	1400	390	1530	1590	36-φ48	2340	1330	685	358	3465
	1600	440	1750	1820	40-φ55	2710	1456	250	1065	4833
1800	490	1950	2020	44-φ55	2950	1600	250	1065	5590	
2000	540	2150	2230	48-φ60	3250	1774	300	1175	7650	

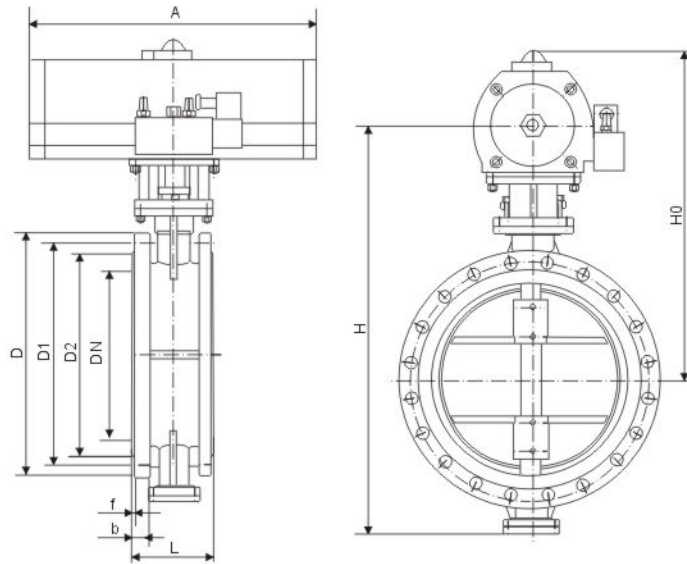


D343H

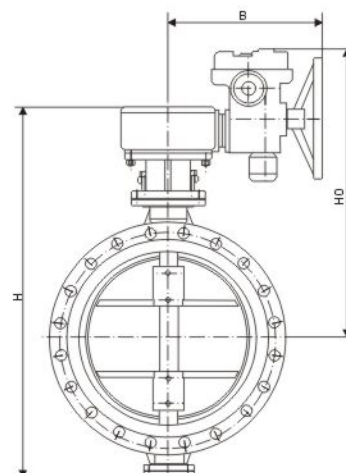
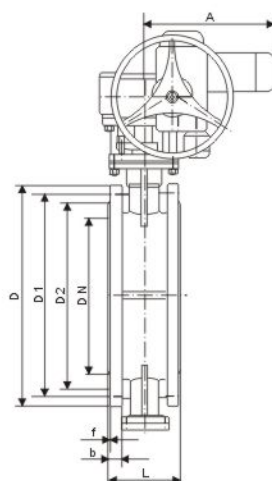


主要尺寸表和重量 Main dimensions and weight

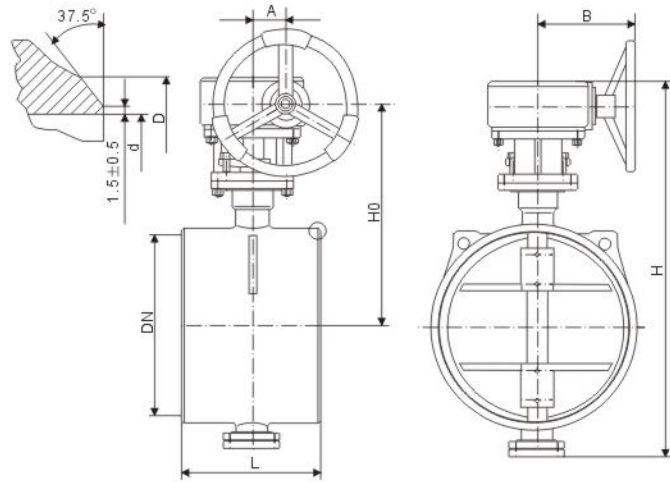
PN (MPa)	DN (mm)	L	D	D1	D2	Z-φd	b	f	H	H0	A	B	重量 (kg) Weight
1.0	150	140	285	240	211	8-φ22	24	2	385	230	66	150	48
	200	152	340	295	266	8-φ22	24	2	471	297	85	170	92
	250	165	395	350	319	12-φ22	26	2	533	327	85	170	116
	300	178	445	400	370	12-φ22	26	2	606	364	106	205	151
	350	190	505	460	429	16-φ22	26	2	694	404	106	205	186
	400	216	565	515	480	16-φ26	26	2	757	444	130	240	216
	450	222	615	565	530	20-φ26	28	2	814	472	155	240	276
	500	229	670	620	582	20-φ26	28	2	902	522	169	306	350
	600	267	780	725	582	20-φ30	30	5	1048	590	198	324	553
	700	292	895	840	794	24-φ30	30	5	1277	810	220	335	814
	800	318	1015	950	901	24-φ33	32	5	1385	844	241	356	965
	900	330	1115	1050	1001	28-φ33	34	5	1490	890	241	356	1023
	1000	410	1230	1160	1112	28-φ36	34	5	1985	1228	241	356	1906
	1200	470	1455	1380	1328	32-φ39	38	5	2191	1340	35	785	2085
	1400	530	1675	1590	1530	36-φ42	42	5	2326	1450	35	785	2890
	1600	600	1915	1820	1750	40-φ48	46	5	2685	1590	35	785	4220
1800	670	2115	2020	1950	44-φ48	50	5	2924	1710	60	865	5315	
2000	760	2325	2230	2150	48-φ48	54	5	3186	1854	60	865	7330	
1.6	150	140	285	240	211	8-φ22	24	2	385	230	66	150	53
	200	152	340	295	266	8-φ22	24	2	471	297	85	170	96
	250	165	395	350	319	12-φ22	26	2	533	327	85	170	127
	300	178	445	400	370	12-φ22	32	2	606	364	106	205	163
	350	190	505	460	429	16-φ22	34	2	694	404	106	205	204
	400	216	565	515	480	16-φ26	36	2	757	444	130	240	231
	450	222	615	565	530	20-φ26	38	2	814	472	155	240	290
	500	229	670	620	582	20-φ26	42	2	902	522	169	306	368
	600	267	780	725	582	20-φ30	44	5	1048	590	198	324	552
	700	292	895	840	794	24-φ30	46	5	1277	810	220	335	985
	800	318	1015	950	901	24-φ33	48	5	1385	844	241	356	1294
	900	330	1115	1050	1001	28-φ33	34	5	1490	890	241	356	1678
	1000	410	1230	1160	1112	28-φ36	38	5	2010	1245	241	356	2230
	1200	470	1455	1380	1328	32-φ39	42	5	2220	1360	35	785	2465
	1400	530	1675	1590	1530	36-φ42	44	5	3437	1456	35	785	3412
	1600	600	1915	1820	1750	40-φ48	46	5	2756	1650	35	785	5130
1800	670	2115	2020	1950	44-φ48	48	5	2985	1760	60	865	6920	
2000	760	2325	2230	2150	48-φ48	50	5	3245	1900	60	865	8652	


D643H

主要尺寸表和重量 Main dimensions and weight

PN (MPa)	DN (mm)	L	D	D1	D2	Z-φd	b	f	H	H0	A	B	重量 (kg) Weight
1.0	150	140	285	240	211	8-φ22	24	2	400	245	185	298	50
	200	152	340	295	266	8-φ22	24	2	486	302	402	419	94
	250	165	395	350	319	12-φ22	26	2	548	342	402	419	118
	300	178	445	400	370	12-φ22	26	2	621	397	470	437	153
	350	190	505	460	429	16-φ22	26	2	702	419	470	437	188
	400	216	565	515	480	16-φ26	26	2	775	460	490	461	218
	450	222	615	565	530	20-φ26	28	2	833	488	515	477	297
	500	229	670	620	582	20-φ26	28	2	920	530	531	493	354
	600	267	780	725	682	20-φ30	34	2	1066	608	603	517	557
	700	292	895	840	794	24-φ30	34	5	1295	828	603	517	817
	800	318	1015	950	901	24-φ33	36	5	1405	862	697	545	970
	900	330	1115	1050	1001	28-φ33	38	5	1510	908	697	617	1031
	1000	410	1230	1160	1112	28-φ36	38	5	1820	970	697	617	1915
	1200	470	1455	1380	1328	32-φ39	38	5	2200	1180	685	358	2094
1400	530	1675	1590	1530	36-φ42	42	5	2340	1330	685	358	2910	
1.6	150	140	285	240	211	8-φ22	24	2	400	245	185	298	98
	200	152	340	295	266	8-φ22	24	2	486	302	402	419	108
	250	165	395	350	319	12-φ22	26	2	548	342	402	419	136
	300	178	445	400	370	12-φ22	32	2	621	379	470	437	183
	350	190	505	460	429	16-φ22	34	2	702	419	470	437	227
	400	216	580	525	480	16-φ26	36	2	775	460	490	461	265
	450	222	640	585	548	20-φ26	38	2	833	488	515	477	356
	500	229	715	650	609	20-φ26	42	2	920	530	531	493	409
	600	267	840	770	720	20-φ30	44	2	1066	608	603	517	608
	700	292	910	840	794	24-φ30	46	5	1295	828	603	517	1090
	800	318	1025	950	901	24-φ33	48	5	1405	862	697	545	1481
	900	330	1125	1050	1001	28-φ33	34	5	1510	908	697	617	1880
	1000	410	1255	1170	1112	28-φ36	38	5	1820	970	697	617	2469
	1200	470	1485	1380	1328	32-φ39	42	5	2211	1180	685	358	3367
1400	530	1685	1590	1530	36-φ42	44	5	2340	1330	685	358	4052	


D943H

主要尺寸表和重量 Main dimensions and weight

PN (MPa)	DN (mm)	L	D	D1	D2	Z- ϕ d	b	f	H	H0	A	B	重量 (kg) Weight
1.0	150	140	285	240	211	8- ϕ 22	24	2	400	245	185	298	50
	200	152	340	295	266	8- ϕ 22	24	2	486	302	402	419	94
	250	165	395	350	319	12- ϕ 22	26	2	548	342	402	419	118
	300	178	445	400	370	12- ϕ 22	26	2	621	379	470	437	153
	350	190	505	460	429	16- ϕ 22	26	2	702	419	470	437	188
	400	216	565	515	480	16- ϕ 26	26	2	775	460	490	461	218
	450	222	615	565	530	20- ϕ 26	28	2	833	488	515	477	297
	500	229	670	620	582	20- ϕ 26	28	2	920	530	531	493	354
	600	267	780	725	682	20- ϕ 30	30	2	1066	608	603	517	557
	700	292	895	840	794	24- ϕ 30	30	5	1295	828	603	517	817
	800	318	1015	950	901	24- ϕ 33	32	5	1405	862	697	545	970
	900	330	1115	1050	1001	28- ϕ 33	34	5	1510	908	697	617	1031
	1000	410	1230	1160	1112	28- ϕ 36	34	5	1820	970	697	617	1915
	1200	470	1455	1380	1328	32- ϕ 39	38	5	2200	1180	685	358	2094
	1400	530	1675	1590	1530	36- ϕ 42	42	5	2340	1330	685	358	2910
	1600	600	1915	1820	1750	40- ϕ 48	46	5	2710	1456	250	1065	4228
1800	670	2115	2020	1950	44- ϕ 48	50	5	2950	1600	250	1065	5328	
2000	760	2325	2230	2150	48- ϕ 48	54	5	3250	1774	300	1175	7341	
1.6	150	140	285	240	211	8- ϕ 22	24	2	400	245	185	298	98
	200	152	340	295	266	8- ϕ 22	24	2	486	302	402	419	108
	250	165	405	355	319	12- ϕ 22	26	2	548	342	402	419	136
	300	178	460	410	370	12- ϕ 22	32	2	621	379	470	437	183
	350	190	520	470	429	16- ϕ 22	34	2	702	419	470	437	227
	400	216	580	525	480	16- ϕ 26	36	2	775	460	490	461	265
	450	222	640	585	548	20- ϕ 26	38	2	833	480	515	477	356
	500	229	715	650	609	20- ϕ 26	42	2	920	530	531	493	409
	600	267	840	770	720	20- ϕ 30	44	2	1066	608	603	517	608
	700	292	910	1380	794	24- ϕ 30	46	5	1295	828	603	517	1090
	800	318	1025	840	901	24- ϕ 33	48	5	1405	862	697	545	1481
	900	330	1125	1590	1001	28- ϕ 33	34	5	1510	908	697	617	1880
	1000	410	1255	950	1112	28- ϕ 36	38	5	1820	970	697	617	2469
	1200	470	1485	1820	1328	32- ϕ 39	42	5	2200	1180	685	358	3367
	1400	530	1685	1050	1530	36- ϕ 42	44	5	2340	1330	685	358	4052
	1600	600	1930	2020	1750	40- ϕ 48	46	5	2710	1456	250	1065	5923
1800	670	2130	1170	1950	44- ϕ 48	48	5	2950	1600	250	1065	6598	
2000	760	2345	2230	2150	48- ϕ 48	50	5	3250	1774	300	1175	8993	


D363H

主要尺寸表和重量 Main dimensions and weight

PN (MPa)	DN (mm)	L	d	D	H	H0	A	B	重量 (kg) Weight
1.0	150	210	146	161	385	230	66	150	40
	200	230	202	222	471	297	85	170	78
	250	250	254	278	533	327	85	170	98
	300	270	303	330	606	364	106	205	130
	350	290	351	382	694	404	106	205	161
	400	310	398	432	757	444	130	240	190
	450	330	450	484	814	472	155	240	232
	500	350	501	535	902	522	169	306	326
	600	390	602	636	1180	606	198	324	460
	700	430	692	726	1460	738	220	335	670
	800	470	792	826	1588	801	241	356	810
	900	510	892	926	1856	989	241	356	850
	1000	550	992	1028	1990	1053	241	356	1620
	1200	630	1192	1228	2190	1162	35	785	1768
	1400	710	1392	1428	2306	1310	35	785	2420
	1600	790	1592	1628	2680	1436	35	785	3540
1.6	150	210	146	161	385	230	66	150	40
	200	230	202	222	471	297	85	170	78
	250	250	254	278	533	327	85	170	98
	300	270	303	330	606	364	106	205	130
	350	290	351	382	694	404	106	205	161
	400	310	398	432	757	444	130	240	190
	450	330	450	484	814	472	155	240	232
	500	350	501	535	902	522	169	306	326
	600	390	602	636	1180	606	198	324	460
	700	430	692	726	1460	738	220	335	670
	800	470	792	826	1588	801	241	356	810
	900	510	892	926	1856	989	241	356	850
	1000	550	992	1028	1990	1053	241	356	1620
	1200	630	1192	1228	2190	1162	35	785	1768
	1400	710	1392	1428	2306	1310	35	785	2420
	1600	790	1592	1628	2680	1436	35	785	3540
1800	870	1792	1828	2917	1579	60	865	4540	
2000	950	1992	2028	3174	1723	60	865	6220	