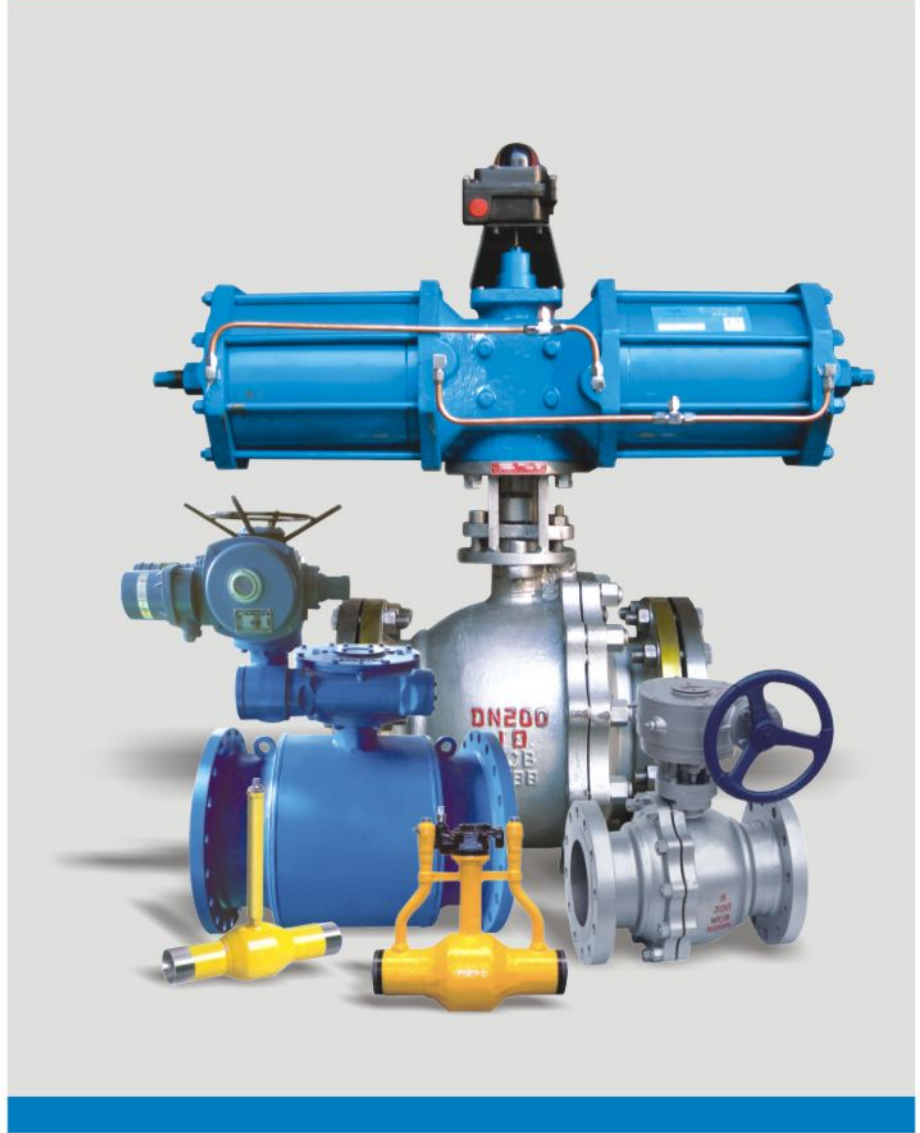


球阀系列



BALL VALVE SERIES



简介 Brief

法兰球阀具有体积小、重量轻、启闭迅速、阻力小、零泄漏、安装方便等特点，选用不同的材质，可分别适用于水、蒸汽、油品、液化气、天然气、煤气、硝酸、醋酸、尿素等多种介质，作截断或接通管路用。

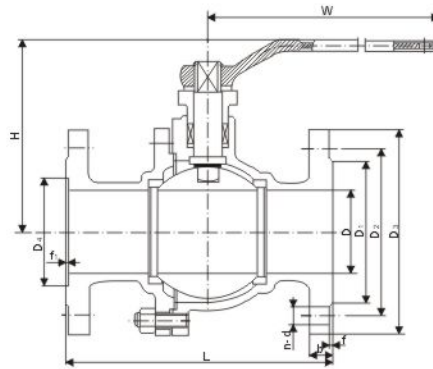
Flange ball valve has the advantages of small volume, light weight, rapid opening and closing, small resistance, zero leakage, convenient installation, use different materials, can be separately applied to water, steam, oil, liquefied petroleum gas, natural gas, coal gas, nitric acid, acetic acid, urea and other media, are cut off or connected to the pipeline.

主要零部件材料 Material of main parts

零件名称 Part name	材料 Material	零件名称 Part name	材料 Material
阀体 Body	WCB,CF8,CF8M	阀杆 Stem	2Cr13,304,316
阀座 Seat	聚四氟乙烯 PTFE	填料 Packing	聚四氟乙烯 PTFE
球体 Ball	WCB,CF8,CF8M	填料压盖 Packing gland	WCB,CF8,CF8M
密封垫 Sealing gasket	聚四氟乙烯 PTFE	手柄 Handle	不锈钢 Stainless steel

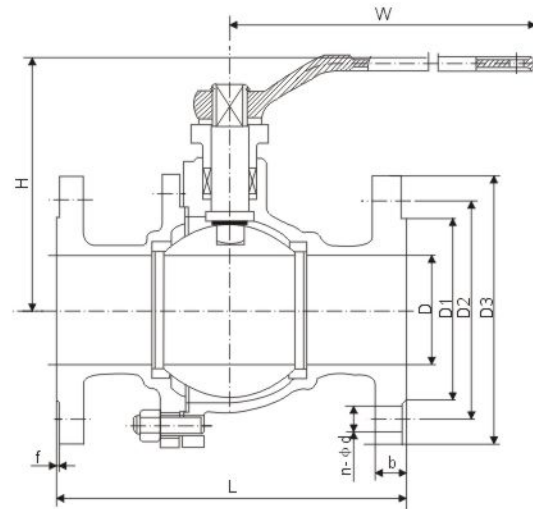


Q41F



主要尺寸表 Main dimensions

PN (MPa)	DN (mm)	D	D1	D2	D3	f	b	n-φd	L	H	W
1.6	15	13	45	65	95	2	14	4-φ14	130	75	130
	20	19	55	75	105	2	14	4-φ14	140	84	170
	25	25	65	85	115	2	14	4-φ14	150	90	170
	32	32	78	100	135	2	16	4-φ18	165	107	200
	40	38	85	110	145	3	16	4-φ18	180	127	250
	50	51	100	125	160	3	16	4-φ18	200	140	250
	65	64	120	145	180	3	18	4-φ18	220	164	350
	80	76	135	160	195	3	20	8-φ18	250	177	350
	100	102	155	180	215	3	20	8-φ18	280	206	420
	125	127	185	210	245	3	22	8-φ18	320	292	700
	150	152	210	240	280	3	24	8-φ23	360	320	1000
200	203	265	295	335	3	26	12-φ23	400	365	1300	
250	254	320	355	405	3	30	12-φ25	533	420	1800	
2.5	15	13	45	65	95	2	14	4-φ14	130	75	130
	20	19	55	75	105	2	14	4-φ14	140	84	170
	25	25	65	85	115	2	14	4-φ14	150	90	170
	32	32	78	100	135	2	16	4-φ18	165	107	200
	40	38	85	110	145	3	16	4-φ18	180	127	250
	50	51	100	125	160	3	20	4-φ18	200	140	250
	65	64	120	145	180	3	22	8-φ18	220	164	350
	80	76	135	160	195	3	22	8-φ18	250	177	350
	100	102	160	190	230	3	24	8-φ23	280	206	420
	125	127	188	220	270	3	28	8-φ25	320	292	700
	150	152	218	250	300	3	30	8-φ25	360	320	1000
	200	203	278	310	360	3	34	12-φ25	400	365	1300
	250	254	332	370	425	3	36	12-φ30	533	420	1800


Q41F

主要尺寸表 Main dimensions

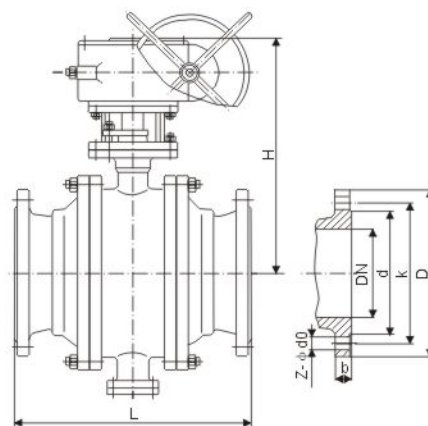
Class (Lb)	DN (inch)	D	D1	D2	D3	f	b	n-φd	L	H	W
150	1/2"	13	35	60.5	89	1.6	12	4-φ15	108	75	130
	3/4"	19	43	70	98	1.6	12	4-φ15	117	84	170
	1"	25	51	79.5	108	1.6	12	4-φ15	127	90	170
	1 1/4"	32	64	89	117	1.6	13	4-φ15	140	107	200
	1 1/2"	38	73	98.5	127	1.6	15	4-φ15	165	127	250
	2"	51	92	120.5	152	1.6	15.9	4-φ19	178	140	250
	2 1/2"	64	105	139.5	178	1.6	17.5	4-φ19	190	164	350
	3"	76	127	152.5	190	1.6	19.1	4-φ19	203	177	350
	4"	102	157	190.5	229	1.6	23.9	8-φ19	229	206	420
	5"	127	186	216	254	1.6	23.9	8-φ22	356	292	700
	6"	152	216	241.5	279	1.6	25.4	8-φ22	394	320	1000
8"	203	270	298.5	343	1.6	28.6	8-φ22	457	365	1300	
300	1/2"	13	35	66.5	95	1.6	15	4-φ19	140	75	130
	3/4"	19	43	82.5	117	1.6	16	4-φ19	152	84	170
	1"	25	51	89	124	1.6	18	4-φ19	165	90	170
	1 1/4"	32	64	98.5	133	1.6	19	4-φ19	178	107	200
	1 1/2"	38	73	114.5	156	1.6	21	4-φ22	190	127	250
	2"	51	92	127	165	1.6	22.3	8-φ19	216	140	250
	2 1/2"	64	105	149	190	1.6	25.4	8-φ22	241	164	350
	3"	76	127	168	210	1.6	28.6	8-φ22	283	177	350
	4"	102	157	200	254	1.6	31.8	8-φ22	305	206	420
	5"	127	186	235	279	1.6	35	8-φ22	381	292	700
	6"	152	216	270	318	1.6	36.6	12-φ22	403	320	1000
8"	203	270	330	381	1.6	41.3	12-φ25	502	365	1300	

性能规范 Technical data

公称压力PN(MPa) Nominal pressure	壳体材料 Shell material	阀座材料 Valve seat material	适用温度 Suitable temperature	适用介质 Suitable medium
1.6 2.5	碳钢C型 Carbon steel C type	聚四氟乙烯 PTFE	≤150℃	水、蒸气、 油品等 Water, steam, oil, etc.
		对位聚苯 Counterpoint polyphenyl	≤250℃	
	铬镍钛钢P型 Cr,Ni,Ti steel P type	聚四氟乙烯 PTFE	≤150℃	硝酸类 Nitric acid
		对位聚苯 Counterpoint polyphenyl	≤200℃	
	铬镍钼钛钢R型 Cr,Ni,Mo,Ti steel R type	聚四氟乙烯 PTFE	≤150℃	醋酸类 Acetic acid
		对位聚苯 Counterpoint polyphenyl	≤200℃	


Q347F
主要零部件材料 Material for main parts

零件名称 Part name	材料 Material		
阀体、阀盖 Body,bonnet	WCB	ZG1Cr18Ni9Ti	ZG1Cr18Ni12Mo2Ti
球体 Ball	2Cr13	1Cr18Ni9Ti	1Cr18Ni12Mo2Ti
阀杆 Stem	2Cr13	1Cr18Ni9Ti	1Cr18Ni12Mo2Ti
阀座 Seat	2Cr13/PTFE	1Cr18Ni9Ti/PTFE	1Cr18Ni12Mo2Ti/PTFE
填料 Packing	PTFE	PTFE	PTFE
螺栓 Bolt	35	0Cr18Ni9	0Cr18Ni9
螺母 Nut	45	0Cr18Ni9	0Cr18Ni9

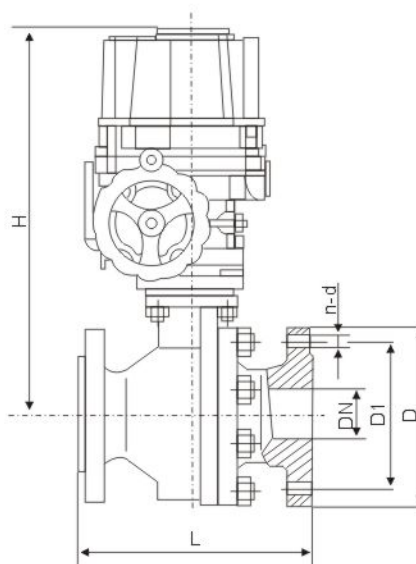

主要尺寸表 Main dimensions

PN (MPa)	DN (mm)	L	D	K	d	b	Z-φd0	H
1.6	150	394	285	240	210	24	8-φ23	470
	200	457	340	295	265	26	12-φ23	520
	250	533	405	355	320	30	12-φ25	610
	300	610	460	410	375	30	12-φ25	650
	350	686	520	470	435	34	16-φ25	740
	400	762	580	525	485	36	16-φ30	795
	450	864	640	585	545	40	20-φ30	860
	500	914	715	650	608	44	20-φ34	945
	600	1067	840	770	718	48	20-φ41	1040
	700	1245	910	840	788	50	24-φ41	1150
	800	1372	1025	950	898	52	24-φ41	1280
	900	1524	1125	1050	998	54	28-φ41	1430
	1000	1753	1255	1170	1110	56	28-φ48	1580
	1200	2032	1485	1390	1325	58	32-φ54	1810
1400	2300	1685	1590	1525	60	36-φ54	2010	

简介 Brief

QT型电动法兰球阀是我厂在借鉴和吸收国外先进技术的基础上，最新研制的换代型产品。该产品箱体采用压铸铝，外形美观，具有体积小，重量轻，高效率，高可靠性，高防护性能，低噪音等特点，可现场操作，也可远距离控制。可广泛用于石油，化工，发电厂，水处理，造纸等行业。该产品品种齐全，在普通型的基础上还另有防爆型，普通型的防护等级为IP67，特殊订货可达IP68。可生产基本型，带现场操作按钮灯盒型，整体调节型和防爆型(Exd II Bt4)。

QT flanged ball valve electric plant on the basis that I learn and absorb foreign advanced technology, based on newly developed generation products. The product box with die-cast aluminum, beautiful appearance, small size, light weight, high efficiency, high reliability, high protection performance, low noise characteristics, field operations, can also be remotely controlled. It can be widely used in petroleum, chemical, power plants, water treatment, paper and other industries. The product range, in general, based on yet another type of explosion-proof type, ordinary type of protection class IP67, special order up to IP68. Produce basic, with live action buttons light box type, the overall regulation and explosion proof (Exd II Bt4).


Q941F

**球
阀
系
列**
性能规范 Technical data

公称通径 DN Nominal diameter		15~200
公称压力 PN Nominal pressure		1.6
试验压力 Testing pressure	壳体 Shell	2.4
	密封 Sealing	1.76
适用温度℃ Working temperature		≤300
适用介质 Suitable mediums		蒸汽、水 Steam, water

主要尺寸表 Main dimensions

DN (mm)	1.6MPa					2.5MPa					4.0MPa				
	L	D	D1	H	n-d	L	D	D1	H	n-d	L	D	D1	H	n-d
15	130	95	65	291	4-14	130	95	65	291	4-14	130	95	65	291	4-14
20	140	105	75	296	4-14	140	105	75	296	4-14	140	105	75	296	4-14
25	150	115	85	309	4-14	150	115	85	309	4-14	150	115	85	309	4-14
32	165	135	100	316	4-18	165	135	100	316	4-18	180	135	100	316	4-18
40	180	145	110	324	4-18	180	145	110	324	4-18	200	145	110	324	4-18
50	200	160	125	333	4-18	200	160	125	333	4-18	220	160	125	333	4-18
65	220	180	145	355	4-18	220	180	145	355	8-18	250	180	145	355	8-18
80	250	195	160	421	8-18	250	195	160	421	8-18	280	195	160	421	8-18
100	280	215	180	452	8-18	280	230	190	452	8-23	320	230	190	452	8-23
125	320	245	210	500	8-18	320	270	220	500	8-25	400	270	220	500	8-25
150	360	280	240	551	8-23	360	300	250	551	8-25	400	300	250	551	8-25
200	400	335	295	602	12-23	400	360	310	602	12-25	502	375	320	602	12-30

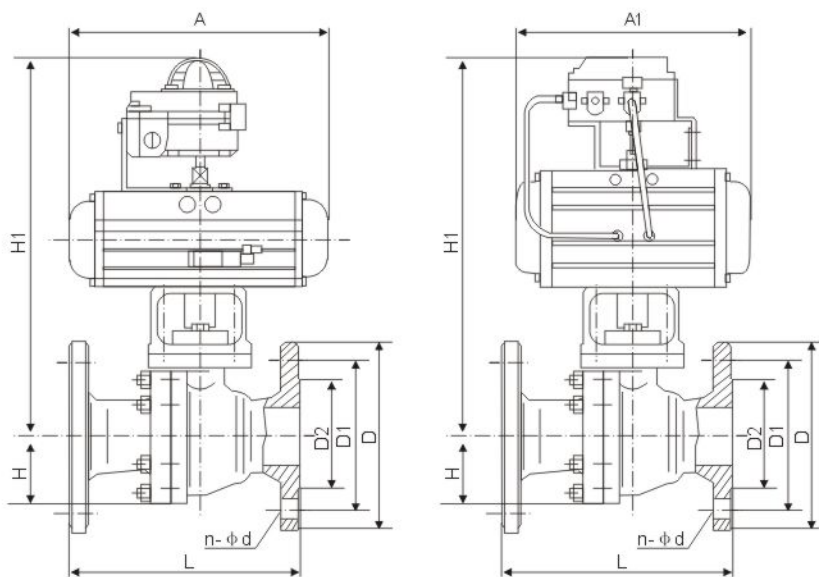
简介 Brief

气动法兰球阀采用活塞式气动执行器及球阀组成。可配以阀门定位器输入控制信号(4~20mADC或1~5VDC)气源即可控制运转。亦可配行程限位开关、电磁阀、减压阀及0.4~0.7MPa气源可实现开关操作,并送出二对无源触点信号指示阀门的开关。具有结构紧凑、体积小、运行可靠、流阻系数低、密封性好、维修容易、安装方便、适应性强等优点。特别适合于介质是粘稠、含颗粒、纤维性质的场合。广泛应用于石油、化工、教学设备、轻工、高压设备、制药、造纸等工业自动化控制系统中,作远距离集中控制或就地控制。

Pneumatic flange ball valve actuator and ball valve with piston type gas. With the valve positioner input control signal (4~20mADC or 1~5VDC) air to control operation. Can also be equipped with a travel limit switch, solenoid valve, pressure relief valve and the 0.4~0.7MPa gas source switching operation can be realized, and send out the switch two on passive contact signal indicating valve. Has the advantages of compact structure, small volume, reliable operation, low coefficient of flow resistance, good sealing performance, easy to repair, convenient installation, strong adaptability etc. Particularly suitable for medium thick, containing particles, the properties of fiber. Widely used in petroleum, chemical engineering, automatic control, teaching equipment, light industry equipment, pharmaceutical, paper and other industrial system, for centralized remote control or local control.

主要零部件材料 Material of main parts

零件名称 Part name	材料名称 Material name
阀体 Body	WCB,CF8,CF8M,CF3M
阀座 Seat	PTFE,PPL,304,316
球体 Ball	2Cr13,304,316
阀杆 Stem	2Cr13,304,316
密封填料 Seal packing	PTFE、柔性石墨 Flexible graphite
填料压盖 Packing gland	WCB,CF8,CF8M,CF3M


Q641F

主要尺寸表 Main dimensions

DN (mm)	15	20	25	32	40	50	65	80	100	125	150	200	250	300
L	130	140	150	165	180	200	220	250	280	320	360	400	630	750
H	44.5	49	55	65	65	75	90	95	115	127	140	172.5	310	350
D	95	105	115	140	150	165	185	200	220	250	285	340	405	460
D1	65	75	85	100	110	125	145	160	180	210	240	295	355	410
D2	46	56	65	76	84	99	118	132	156	184	211	266	319	370
n-φd	4-φ14	4-φ14	4-φ14	4-φ18	4-φ18	4-φ18	4-φ18	8-φ18	8-φ18	8-φ18	8-φ22	12-φ22	12-φ26	12-φ26
H1	根据所配执行机构而定 According to the distribution of actuator fixed													
A、A1	根据阀门所需力矩而定,配置机型不同,外形尺寸也不相同 According to the required torque valve set, different configuration models, size is not the same													

产品特点 Product features

- 1、全焊接球阀是由英国欧洛克阀门有限公司授权生产和销售的，是采用英国欧洛克阀门有限公司先进技术进行生产的。
 - 2、全焊接球阀在欧美国家各领域所使用非常广泛。其卓越的品质和高性能的稳定性的普通铸钢球阀所无法达到的，其使用寿命远远大于铸钢球阀、全焊接球阀广泛应用于城市燃气、城市供热、石油化工、造船、钢铁、调压站、发电厂等各类管道设备上。
 - 3、全焊接球阀能长期可靠运行使用，不需要维护，安装简便，特别是DN300以下，使阀门的安装变得更为便捷，不仅降低了工程施工的成本，也节省了时间。
- 1, All-welded ball valve by the British Mandate in Europe Locke Valve Co., Ltd. production and sales, is used in Europe, UK Valve Co., Locke advanced technology of production.
 - 2, All-welded ball valve in the United States and Europe is widely used in various fields. Its superior quality and high performance stability is beyond the reach of ordinary steel ball valve, and its life is far greater than steel ball valve, fully welded ball valve is widely used in city gas, urban heating, petrochemical, shipbuilding, steel, regulator station on all kinds of pipeline equipment, power plants and so on.
 - 3, All-welded ball valve using a long-term reliable operation, no maintenance, easy to install, especially DN300 below the valve installation becomes more convenient, not only reduces the cost of construction, but also saves time.

阀体水压检测 Body pressure detection

ANSI B 16.34 Section 7.1

Valve size NPS	检测压力 Test pressure	Test time sce
DN50以下	1.5 times the 100° F	15秒
DN65-200	Rating of ANST Class	60秒
DN250以上	Max. operating pressure	180秒

检测压力要比阀门的最大使用压力高1.5倍以上(100F)
 Detect pressure than the maximum working pressure valve 1.5 times higher (100F)

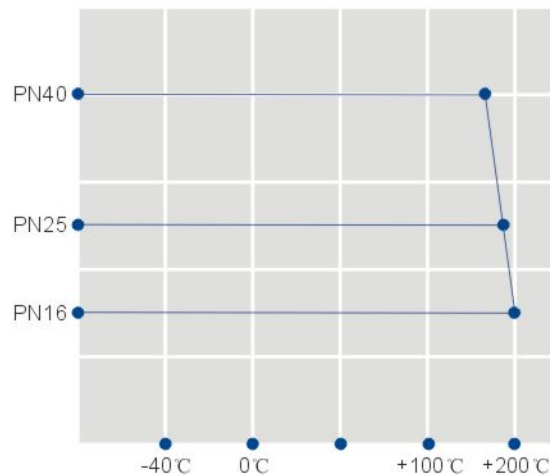
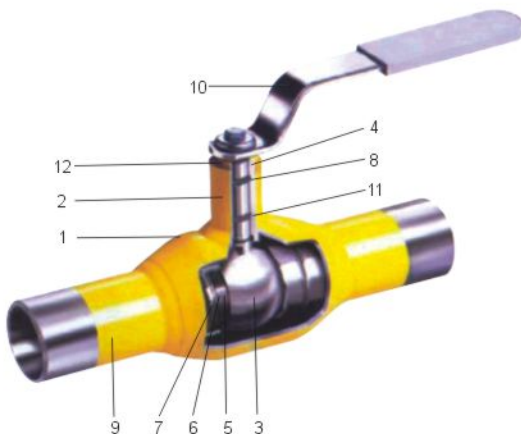
- 1、密封水压检测：密封水压检测要超过阀门使用压力等级的1.1倍的水压力，请参照表所示，在不同的型号都有规定的不同的时间内，加压后密封是否有外漏。
- 1, Seal hydrostatic test: The pressure should be more 1.1 times than working pressure by seal hydrastatic test.

ANSI B 16.34 Section 7.2

Valve size NPS	检测压力 Test pressure	Test time sce
DN50以下	1.5 times the 100° F	15秒
DN65-200	Rating of ANST Class	30秒
DN250以上	Max. operating pressure	60秒

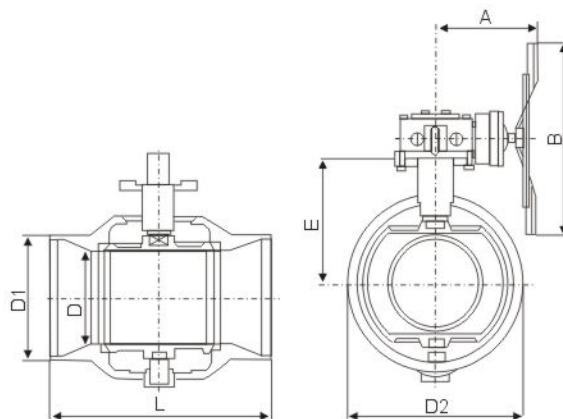
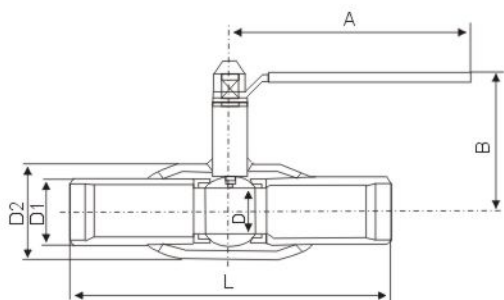
检测压力要比阀门的最大使用压力高1.5倍以上(100F)
 Detect pressure than the maximum working pressure valve 1.5 times higher (100F) 120秒

- 2、气压密封泄漏检测：气压密封泄漏检测是以80psig (6kgf/cm²) 非活性煤气或空气充分加压后关闭阀门，在阀门一侧检查阀门是否泄漏。
- 2, Seal air test: Seal air leakage test is based on 80psig (6kgf/cm²) nin-actiue gas or full filled with air, after close the valve, then check it is leakage or not by one side of the valve



主要零部件材料 Material of main parts

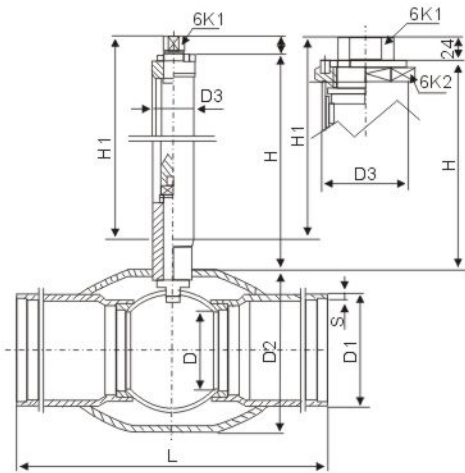
序号No.	名称Name	材料material
1	阀体 Body	ST37.8
2	阀杆轴套 Stem sleeve	ST37.8
3	球体 Ball	ASTMA182F304
4	阀杆 Stem	ASTM A182F6a
5	阀座 Seat	Reinforced PTFE+C
6	金属垫圈 Metal washers	ASTM A182F6a
7	弹簧 Spring	50CrVA
8	"O"型圈 "O"ring	FPM
9	接管 End piece	ST37.8
10	手柄 Handle	Galvanizes steel
11	"O"型圈 "O"ring	FPM
12	压套 Press kit	A182-F304

标准全焊接球阀
Standard all-welded ball valve
水平齿轮传动式焊接球阀
Horizontal welding gear ball valve

主要尺寸表 Main dimensions

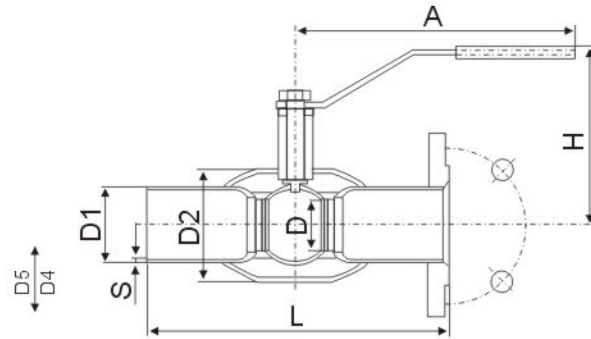
DN (mm)	A	B	L	D	D1	D2
15	129	64	210	15	21.3	42
20	129	64	230	15	26.7	42
25	159	76	230	20	33.4	48
32	159	85	260	25	42.2	60
40	230	95	300	32	48.3	76
50	230	100	300	40	60.3	89
65	300	159	300	50	76.1	114
80	300	170	300	65	88.9	140
100	450	192	325	80	114.3	165
125	450	208	325	100	141.3	216
150	450	241	350	125	168.3	219

主要尺寸表 Main dimensions

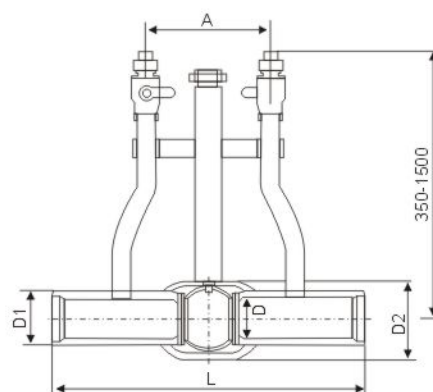
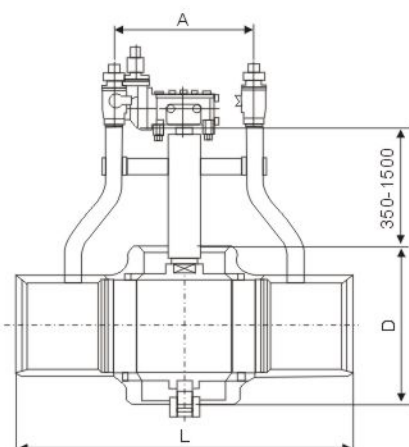
DN (mm)	A	B	L	D	D1	D2	E
200	243	400	400	150	219.1	267	315
250	236	500	560	200	273.1	356	346
300	252	500	635	250	323.9	457	402
350	331	600	650	300	355.6	508	479
400	331	600	760	337	406.4	559	479
450	331	600	842	337	457.2	559	491
500	360	700	910	387	508.0	680	540
550	360	700	1065	438	559.0	718	577
600	413	800	1092	489	609.6	812	662
650	413	800	1245	540	660.4	898	755
700	433	900	1346	591	711.2	1016	790
750	433	900	1397	635	768.0	1020	835
800	433	900	1524	686	812.8	1095	860
850	433	900	1625	737	863.6	1172	793
900	433	900	1727	781	914.4	1237	913
1000	433	900	1900	874	1016.0	1385	965
1100	550	900	2000	976	1117.6	1600	970
1200	550	900	2100	1020	1219.2	1700	975
1300	550	900	2200	1166	1320.8	1967	980
1400	550	900	2300	1262	1422.4	2100	990

埋地式热力球阀(短体型)
Buried heat ball valve (short body)

主要尺寸表 Main dimensions

DN (mm)	D	D1	D2	D3	H	6K1	6K2	L
25	20	33.7	48.3	33.7	2.6	350	19	1500
32	25	42.4	60.3	33.7	2.6	350	19	1500
40	32	48.3	76.1	33.7	2.6	350	19	1500
50	40	60.3	88.9	33.7	2.9	350	19	1500
65	50	76.1	114.3	33.7	2.9	350	19	1500
80	65	88.9	139.7	33.7	3.2	350	19	1500
100	80	114.3	168.3	42.4	3.6	350	19	1500
125	100	139.7	177.8	42.4	4.0	350	27	1500
150	125	168.3	219.1	42.4	4.5	350	27	1500
200	150	219.1	273.0	76.1	4.5	350	50	1500
250	200	273.0	355.6	88.9	5.0	350	50	1500
300	250	323.0	457.0	88.9	5.6	350	50	1800

法兰焊接球阀
Flange welding ball valve

主要尺寸表 Main dimensions

DN(mm)	D	D1	D2	S	H	A	L
15	10	21.3	33.7	2.0	100	120	235
20	15	26.9	42.4	2.3	100	120	235
25	20	33.7	48.3	2.6	105	150	235
32	25	42.4	60.3	2.6	105	150	265
40	32	48.3	76.1	2.6	125	190	265
50	40	60.3	88.9	2.9	130	190	305
65	50	76.1	114.3	2.9	180	280	305
80	65	88.9	139.7	3.2	190	280	305
100	80	114.3	168.3	3.6	220	280	335
125	100	139.7	177.8	4.0	245	420	335
150	125	168.3	219.1	4.5	265	600	360
200	150	219.1	273.0	4.5	260	900	410
250	200	273.0	355.6	5.0	334	1200	540
300	250	323.9	457.0	5.61	-	-	560

通径直埋式焊接球阀 (长体型)
Pass straight buried welded ball valve (length body)
标准径排气埋地式球阀(长体型)
Standard exhaust buried ball valve (length body)

主要尺寸表 Main dimensions

DN (mm)	A	L	D
50	300	1000	110
65	300	1000	138
80	300	1000	165
100	300	1000	165
150(H)	400	1000	200
150(G)	400	1000	300
200	400	1000	380
250	400	1000	450
300	500	1200	550
400	500	1480	670
500	600	1765	800
600	650	1800	970
650	650	1850	1050
700	700	1950	1090
750	750	2000	1180
800	800	2150	1245
850	850	2200	1360
900	900	2400	1420

主要尺寸表 Main dimensions

DN (mm)	A	D	D1	D2	L
50	300	40	60.3	89	1000
65	300	50	76.1	114	1000
80	300	65	88.9	140	1000
100	340	80	114.3	165	1000
125	400	100	141.3	216	1000
150	400	125	168.3	219	1000
200	400	150	219.1	267	1000
250	400	200	273.1	355	1000
300	500	250	323.9	457	1100
350	500	300	355.6	508	1250
400	500	337	406.4	558	1360
450	500	337	457.2	558	1440
500	600	387	508.0	660	1510
550	600	438	559.0	718	1660
600	650	489	609.6	812	1690
650	650	540	660.4	898	1840
700	700	591	711.2	1016	1940
750	700	635	768.0	1020	2000
800	800	686	812.8	1095	2120
850	800	737	863.6	1172	2220
900	800	781	914	1245	2400