

TMK Fan

With AC and EC TYPE



CB



CE



For EU, AU&NZ, Middle East, Southeast Asia and Africa

TMK Fan are designed to provide efficient and reliable operation for commercial and hydroponic grow industry. Our products are manufactured with state of the art laser, forming, spinning and welding equipment and ensure our quality control testing to ensure trouble free start-up. Our mix fans are including industry leading design features to ensure your ventilation equipment has the latest technologies available.

VERY MIX FAN HAS BEEN TEST FOR THREE DIFFERENT PLANES BEFORE PACKAGE

Typical application includes:



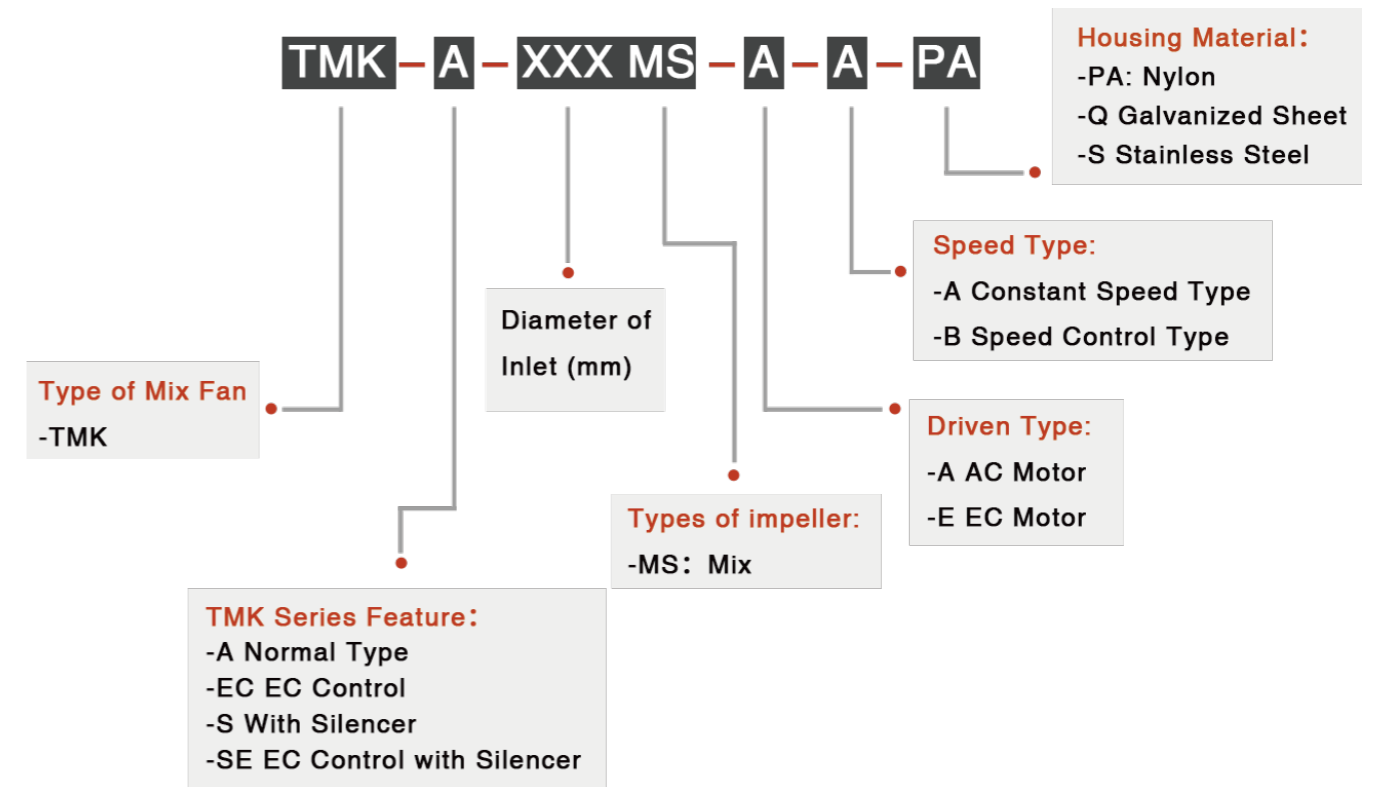
-  Stairwell Pressurization
-  Low noise Industry
-  Hydroponic Grow Farm
-  Agricultural area

Engineers In Guangzhou AoZhong Fan Equipment Co.,LTD Can Assist You In Improving The Operational Efficiency Of The Air Movement In Your System.

Main features with TMK Series

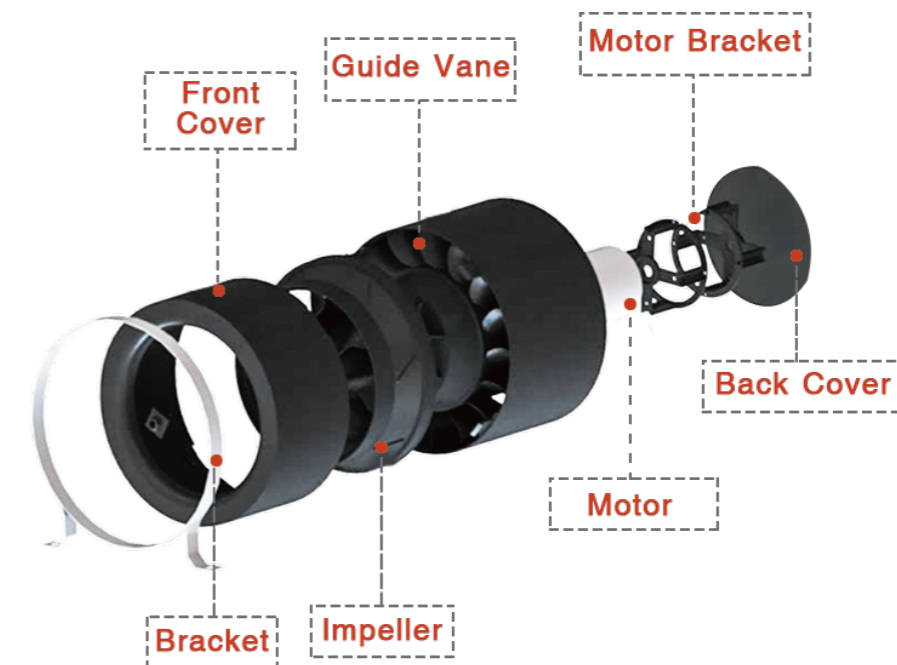
- All mold design construction. Housings are manufactured with Nylon and Steel
- Mix type of impeller with high efficiency
- The fan is compact, so it is easy to installation and repair.
- It is designed for direct connection in line with standard diameter circular ducting.
- EC type is available

Mixed Fan Model Number Code

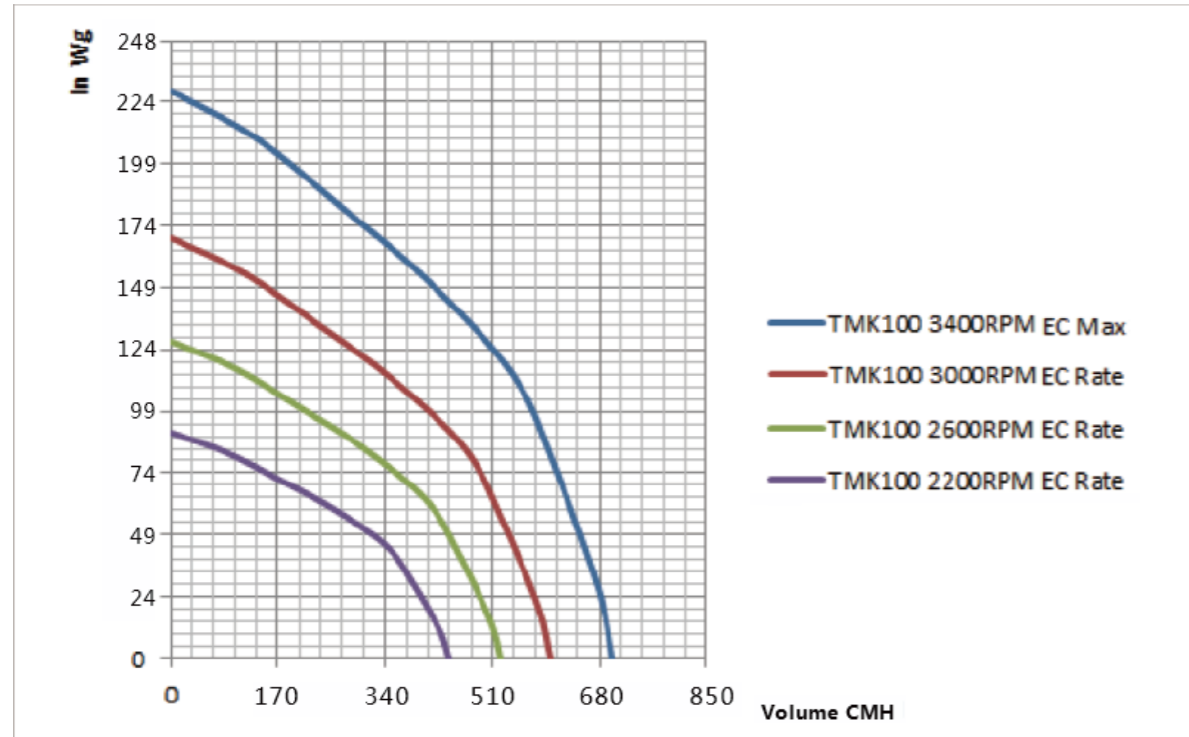
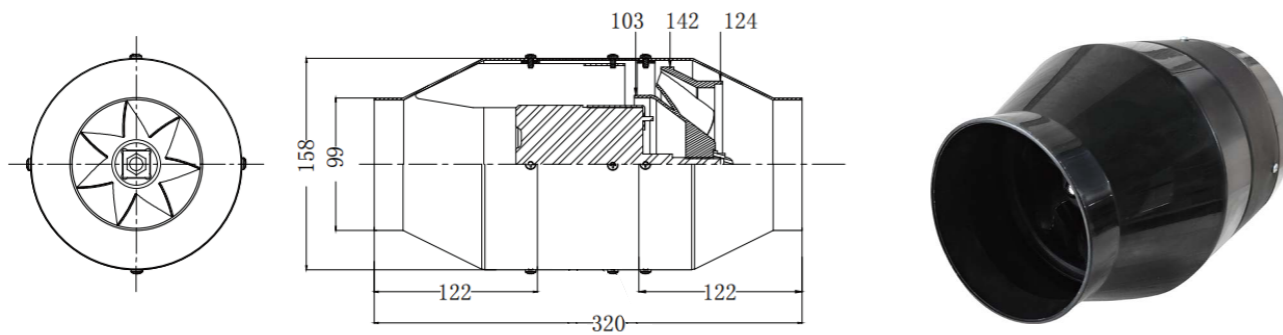


TMK Series Construction Features

Corrosion resistant; The inlet is adopted by aerodynamic shape in order to let air flow into the impeller. Air inlet and air outlet has the same dimensions, so it is easy to install. The air inlet cover and the air outlet cover are connected by screws

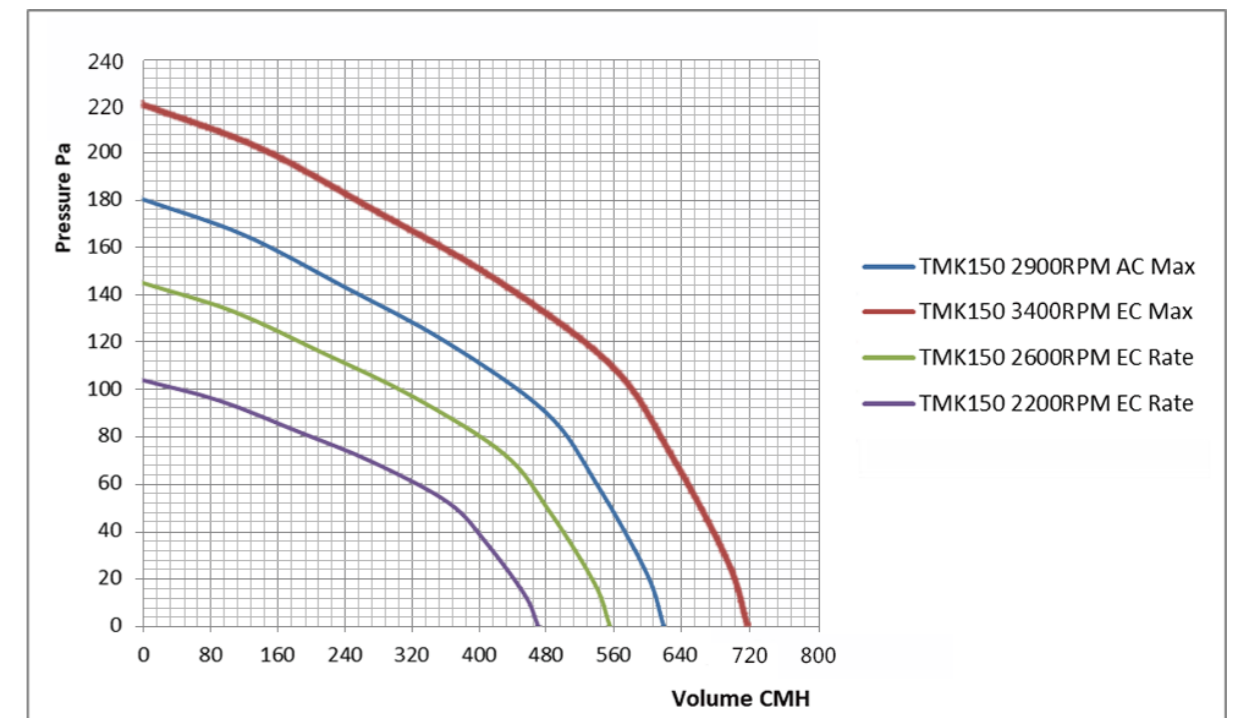
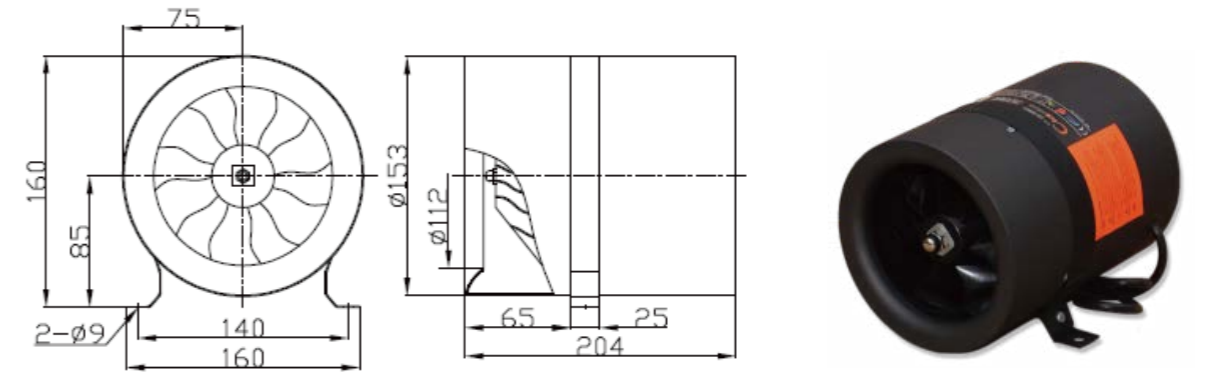


TMK100 (4") Dimension and Performance



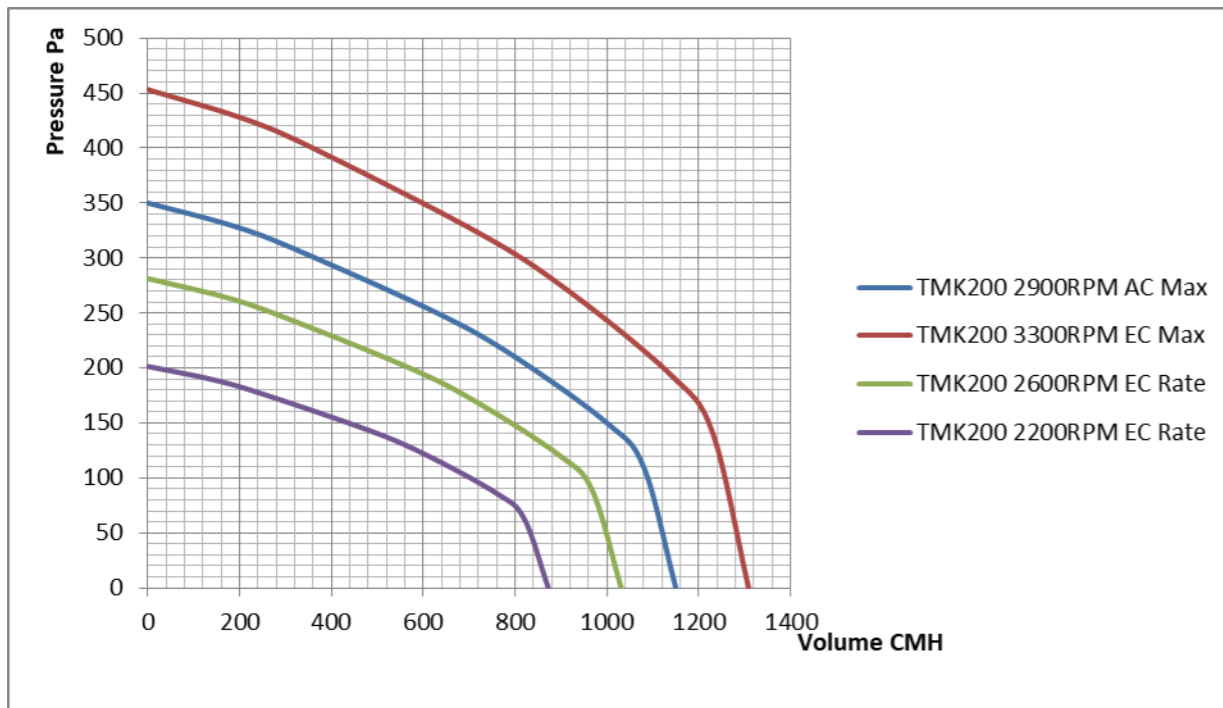
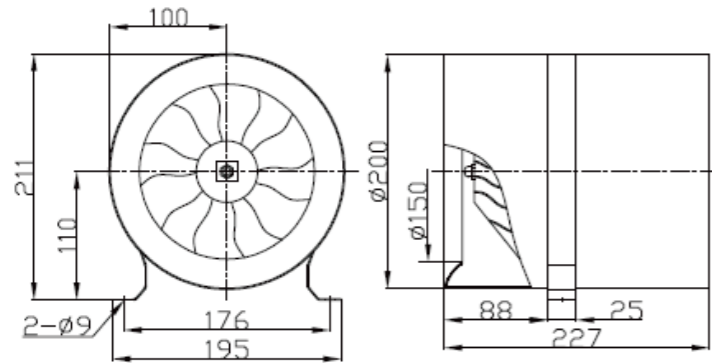
TMK100 Information	100 (4")
Voltage	EC Technology 220-240/50-60Hz
Working Power	35W
Speed	3400RPM
Noise	53dB
Working temp	60 °C
Maximum Flow Value	697CMH
Speed Control Type	PWM Control Type 0-5V

TMK150 (6") Dimension and Performance



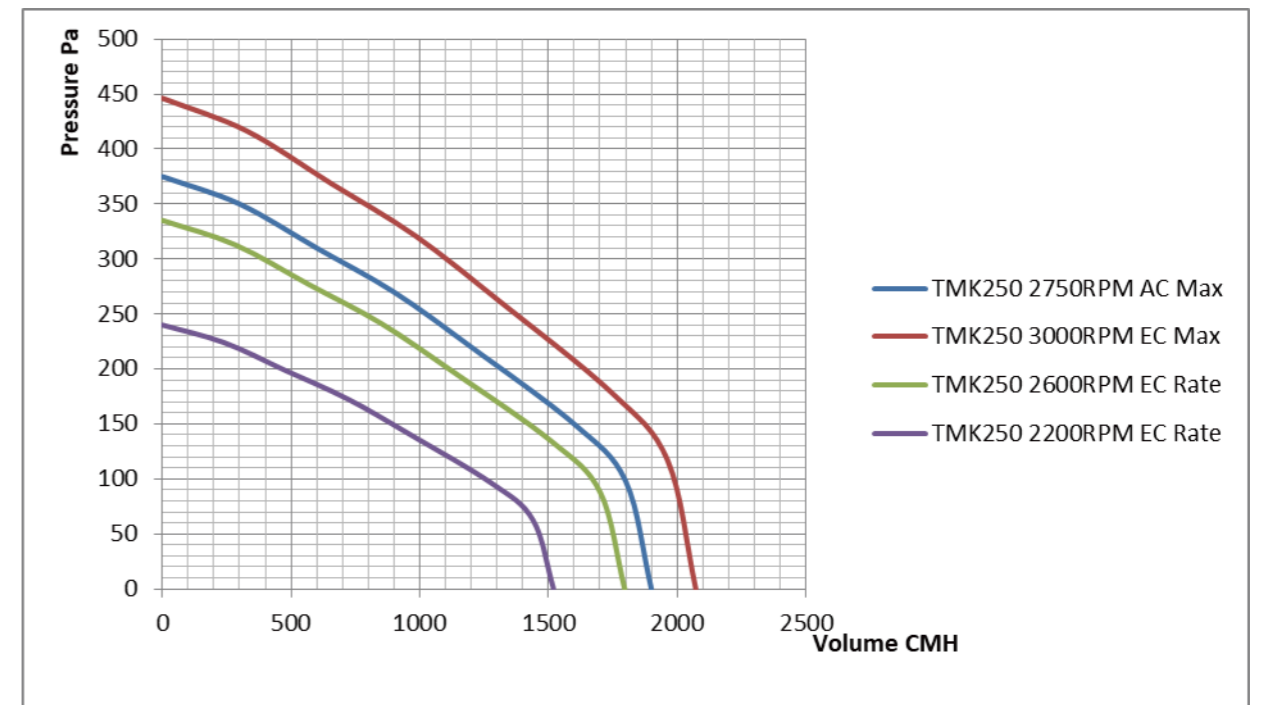
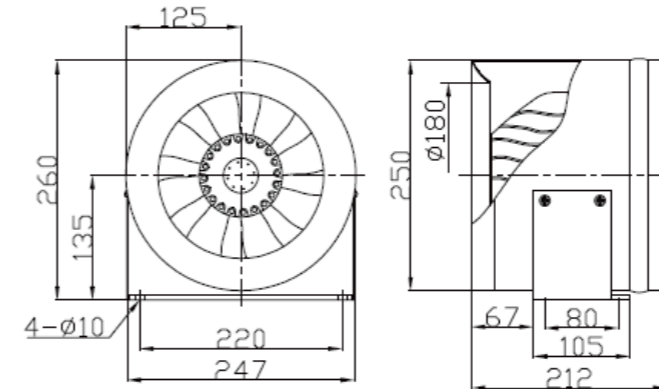
TMK150 Information	150 (6")	150 (6")
Voltage	AC Technology 220-240v/50Hz	EC Technology 220-240/50-60Hz
Working Power	41W	35W
Speed	2900RPM	3400RPM
Noise	55dB	58dB
Working temp	60 °C	60 °C
Maximum Flow Value	620CMH	745CMH
Speed Control Type	Constant Speed	PWM Control Type 0-5V

TMK200 (8") Dimension and Performance



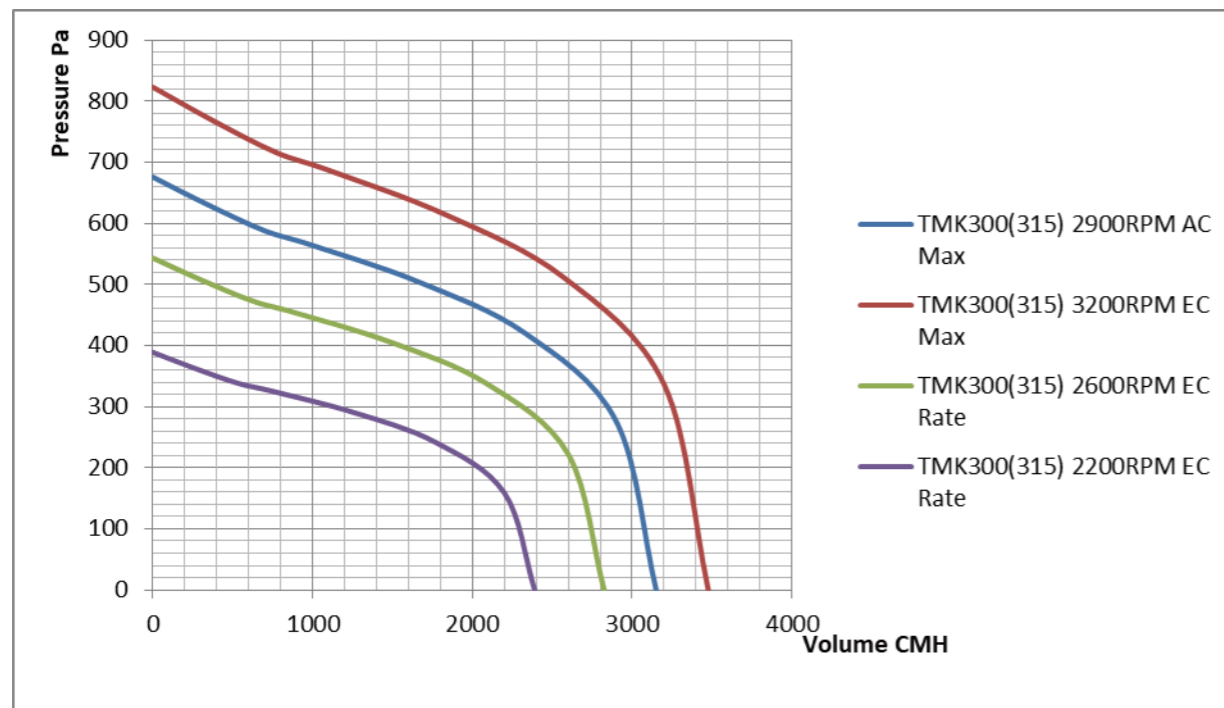
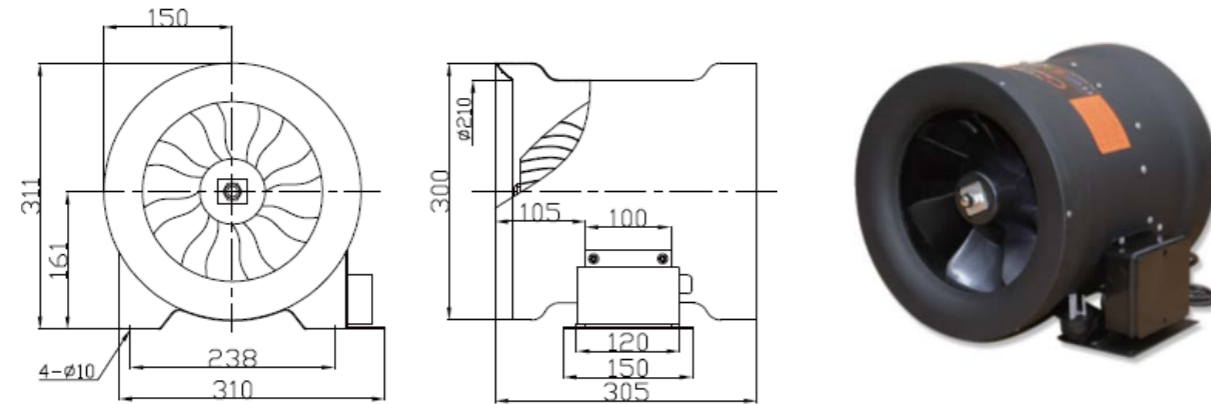
TMK200 Information	200 (8")	200 (8")
	AC Technology	EC Technology
Voltage	220-240v/50Hz	220-240/50-60Hz
Working Power	143W	140W
Speed	2900RPM	3300RPM
Noise	59dB	61dB
Working temp	60℃	60℃
Maximum Flow Value	1020CMH	1310CMH
Speed Control Type	Constant Speed	PWM Control Type 0-5V

TMK250 (10") Dimension and Performance



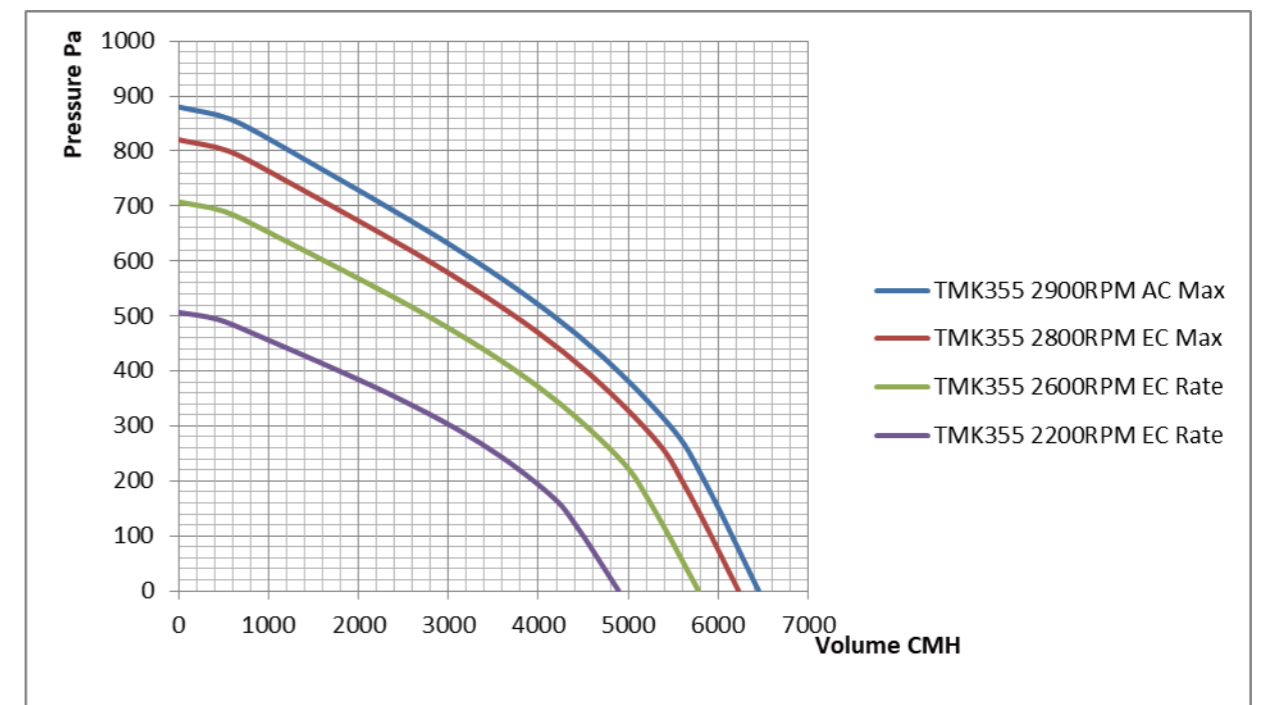
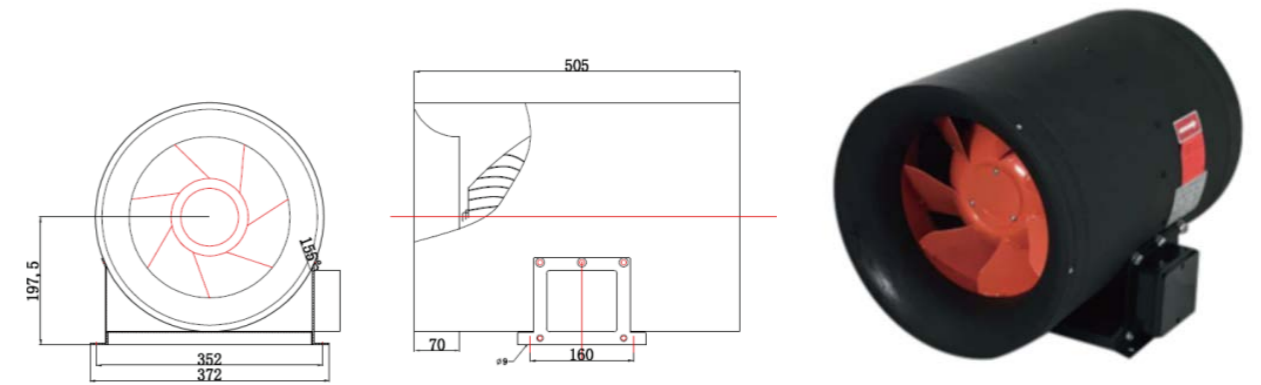
TMK250 Information	250 (10")	250 (10")
	AC Technology	EC Technology
Voltage	220-240v/50Hz	220-240/50-60Hz
Working Power	162W	195W
Speed	2750RPM	3000RPM
Noise	68dB	69dB
Working temp	60℃	60℃
Maximum Flow Value	1900CMH	2100CMH
Speed Control Type	Constant Speed	PWM Control Type 0-5V

TMK300 (12") Dimension and Performance



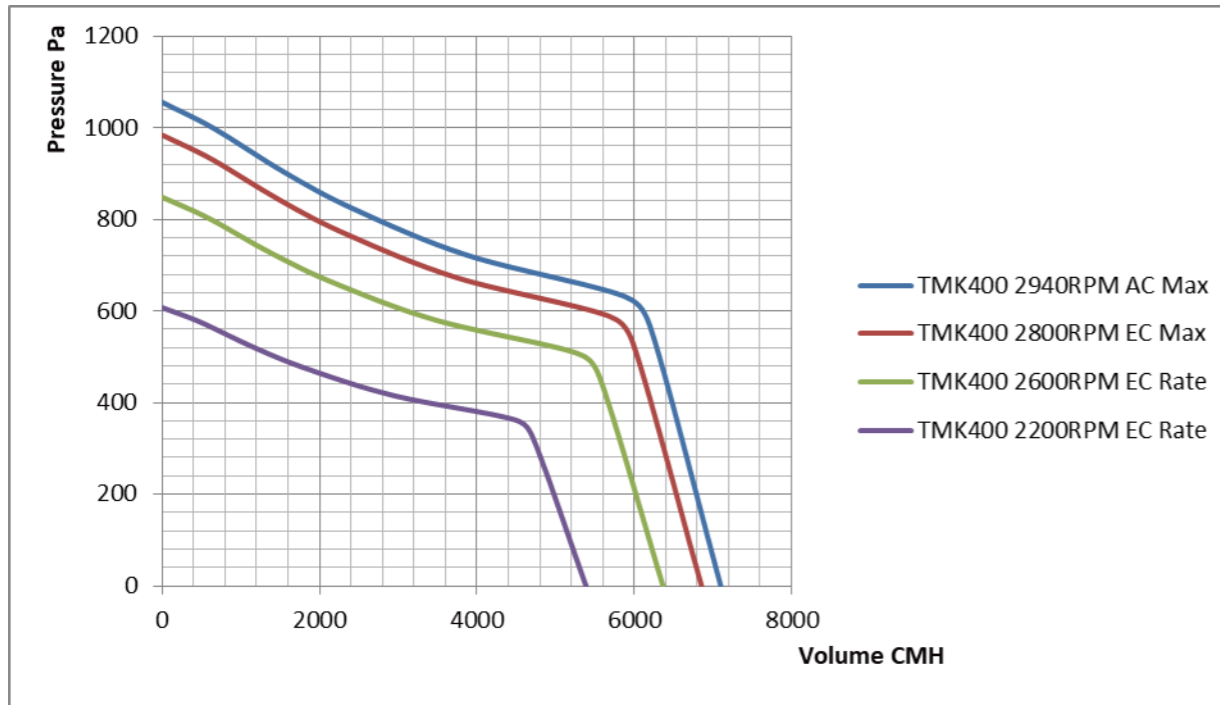
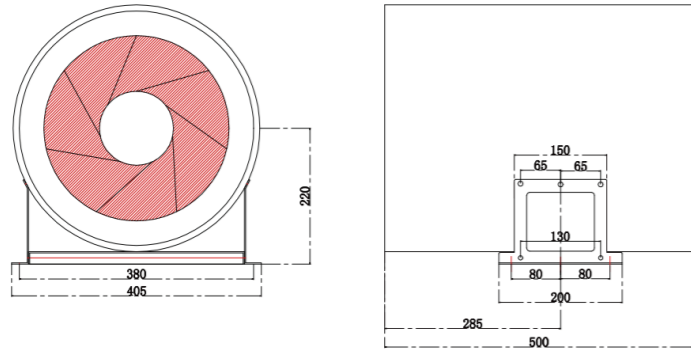
TMK300 (315) Information	300 (315) (12" or 12.5")	300 (315) (12" or 12.5")
Voltage	AC Technology	EC Technology
	220-240v/50Hz	220-240/50-60Hz
Working Power	320W	352W
Speed	2900RPM	3200RPM
Noise	72dB	74dB
Working temp	60 °C	60 °C
Maximum Flow Value	3150CMH	3500CMH
Speed Control Type	Constant Speed	PWM Control Type 0-5V

TMK350 (14") Dimension and Performance



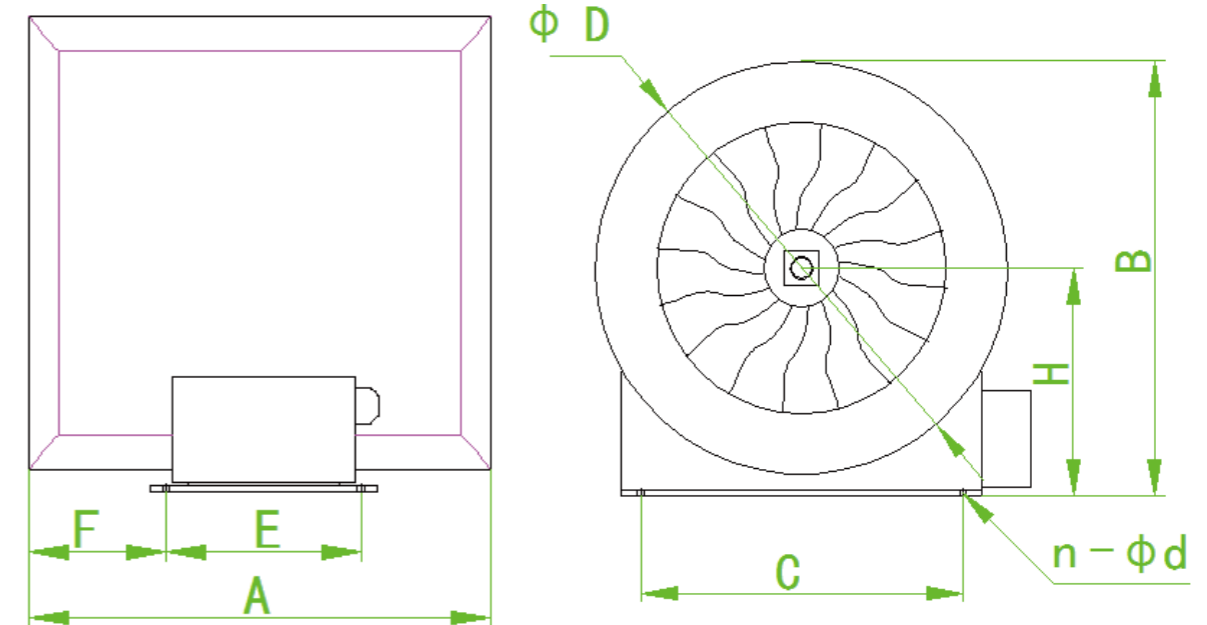
TMK355 Information	355 (14")	355 (14")
Voltage	AC Technology	EC Technology
	220-240v/50Hz	220-240/50-60Hz
Working Power	903W	659W
Speed	2900RPM	2800RPM
Noise	79dB	77dB
Working temp	80 °C	80 °C
Maximum Flow Value	6450CMH	6200CMH
Speed Control Type	Constant Speed	PWM Control Type 0-5V

TMK400 (16") Dimension and Performance



TMK400 Information	400 (16")	400 (16")
Voltage	AC Technology	EC Technology
	220-240v/50Hz	220-240/50-60Hz
Working Power	1.3KW	1.2KW
Speed	2940RPM	2800RPM
Noise	83dB	81dB
Working temp	80℃	80℃
Maximum Flow Value	7100CMH	6800CMH
Speed Control Type	Constant Speed	PWM Control Type 0-5V

TMK Outside Dimension



Model	Outside dimension								
	ΦD	A	B	C	E	F	H	n	d
TMK-A-100	159	355	182	143	/	70	102	2	9
TMK-A-150	200	159	182	143	/	70	102	2	9
TMK-A-200	204	227	213	145	/	99	111	2	9
TMK-A-250	250	213	269	220	80	67.5	141.5	4	10
TMK-A-300	305	310	320	240	120	106	170	4	10
TMK-A-350	350	500	377	352	160	160	200	4	10
TMK-A-400	400	500	430	380	160	163	228	4	12

Usage Description

1. The Fan Is Mainly Use In Delivering The Clean Air Without The Place That With Easy Burning Materials, Explosive Materials And Powder
2. If The Fan Is Fed With External Rotor Machine And Sealed Ball Bearing. It Is Free Maintenance.
3. If The Fan Install In The Damping And Sobering Area, Continuous Operation Is Required For The Fan.
4. The Fan Can Be Installed In The Outdoor Or Damp Environment With Drainage System.
5. All The Fans Are Feeding With International Standard Motors, Which Are Single Phase 120v, 60hz Or 220v, 50hz And Three Phases 380v, 50hz
6. Installation Is Available In Any Areas

Installation

1. Must Be Install According To The Air Flow Marking
2. Must Be Connect To The Piping Or Equip With Safety Accessories
3. Must Be Installing In A Proper Way And Make Sure The Outlet Is Without Any Unusual Materials.
4. Try To Installing The Fan As Easy As For The Maintenance Purpose
5. Fan Required Flanges In Order To Avoid The Piping Damage When Vibrated
6. Speed Controller Or Transformer Is Available To Connect To The Fan
7. Wiring Diagram Is In The Package.
8. Wiring Must Be Strictly Following The Wiring Diagram.
9. Electrical Installation Must Be Done By Professional Technicians.
10. Electrical Installation Must Be Connecting In The Special Control Box.

Operation

Before Operation, Please Make Sure

1. The Real Maximum Current Cannot Be Exceed The National Standard Index:+5%.
2. The Voltage Pulsation Is Between +6% ---+10%
3. No Exceptional Noise Produce When Operation.
4. The Rotating Direction For Three Phase Motor Is The Same As The Marking.

Maintenance

1. Before Repair Or Maintenance The Fan, Please Make Sure The Fan Is Stop And The Fan Is Not Working In Overload Condition
2. When Disassemble The Larger Fan, Please Care For The Weight To Avoid Blocking And Scratching
3. Cleaning The Fan Once A Year, So That It Can Keep The Function And Avoid The Unnecessary Damage.
4. Ball Bearing Is Free Maintenance Except For The Necessary Updates.
5. When Cleaning The Fan, Please Do Not Use The High Pressure Washer Or Strong Solvent, And Do Not Take Out The Damaging Impeller
6. Make Sure The Fan Is Operating Without Any Noise

Failure Detection

1. Make Sure The Fan Is In The Load Condition.
2. Verify The Impeller Is Without Block.
3. Please Do Check With The Heat-variable Switch And Motor Protector. If The Switch Is Not In Connected, Please Do Check It. If Its Need To Restart Makes Sure The Power Supply Is Cut Off In A Few Minutes Until The Rated Current Is Not Higher Than 1.6a. If The Motor Has The Heat Protector, It Will Automatically Reset After Cool Down.
4. Make Sure The Capacitor Is Connected According To The Wiring Diagram.
5. Please Change The Capacitor At The First Time When The Fan Is Not Work.
6. Please Contact The Distributor If The Fan Is Still Not Work
7. When Send Back The Fan To The Distributor, Please Clean It And Make Sure The Cables Are

Guarantee

The Guarantee Is Valid Only With The Guideline Of This Manual.
Noise Level Test Method
1m/45° Free Zone, Without Connect The Ducting Noise Data

Company Introduction

Cks Fan Is China Based Business Owned And Operated By Its Management Team. We Specialize In Air Movement And Have Experience Gained More Than Ten Years Of Operation With Worldwide Predecessors. We Service The Ventilation Equipment Needs Of Customers Ranging From Hvac Through Mining, Manufacturing, Construction, And Agriculture As Well As Retail End Users Include Tianjin And Suzhou Retail Stores. We Build Our Products In State Of The Art Facilities In Guangzhou, Wuhan And Deqing. We Adapt Iso9001quality System To Ensure Our Customers Are Using Best Products.

Certification:



Capabilities And Services

- | | |
|---|--|
| 1 Fan And Blower Design And Manufacture | Fully P2ormance Tested Products And Published Data |
| 3 In-house Design Engineering Team | Scale Ar4Capacity To Handle Any Size Project |
| 5 Servicing Overseas Markets With Built Products And Oem Supply | Sal6 And After Sales Support Teams |

Guangzhou AoZhong Fan Equipment Co.,LTD





Guangzhou

Tel: +86 (020) 87481613

Fax: +86 (020) 87481612

Web: www.cksfan.net

China

