

MPC-1126

Industrial Embedded Computer



Features

- Intel® Celeron®J4105
- Dual DP output
- Support PCIeX16(X4 signal)
- Multi-spec M.2 extensions
- Wide voltage operation: 24V~36V DC input

Description

The MPC-1126 is powered by Intel® Celeron®J4105 processor, which is low power consumption. It supports PCIeX16 (X4 signal), M.2, Mini-PCIe interface, which increase more scalability.

Specifications

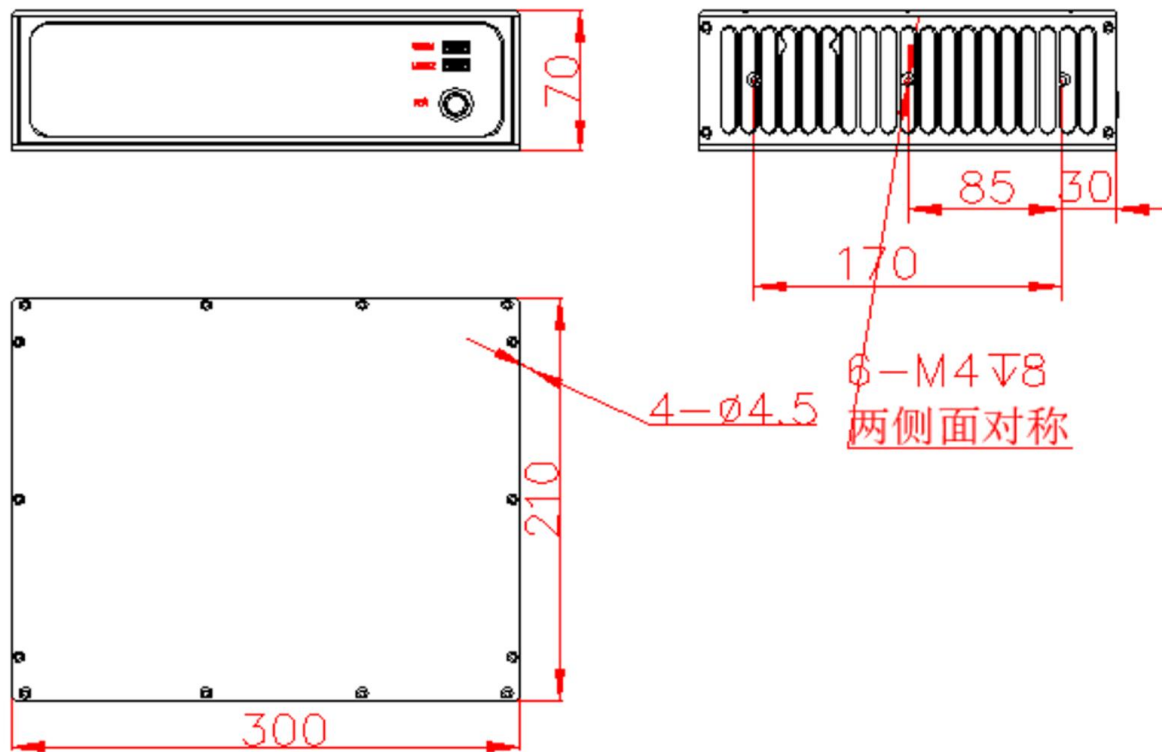
System	CPU	Intel® Celeron®J4105
	Frequency	1.50GHz (MAX: 2.5GHz)
	Cache	4MB
	Core/ Thread	4 core 4 thread
	RAM	DDR4 8GB(Max supports 24GB)
	Storage	256GB SSD
	LAM	1x Intel® i210 + 1x Realtek RTL8111G
	I/O	1 xPCIex16 (x4 signal) ,1x Mini-PCIe (halfsize/fullsize) 1x M.2 Key-E (2230), 1x M.2 Key B socket (2242/2260/2280)
	Front panel	2 x USB 3.1 Gen1 1 x power button
	Rear panel	2 x LAN, 2 x USB 3.1 Gen1, 2 x USB2.0, 2 x RS232 2 x PS2, 2 x DP V1.2a, 1 x DC8~36V, 1 x Audio, 1 x Line in
Physical	Dimension	215 x 70 x 300 mm
	Installation	Wall mount/Rail mount (optional)
OS	OS supports	Windows10 2019 LTSC
Power	Voltage/power consumption	≤65W (not including the optional cards) / DC input 8~36V
Environment	Working temperature	-5°C ~ +55°C
	IP	IP50
	Humidity	0% ~ 90% (non-condensing)

MPC-1126

Industrial Embedded Computer

Dimension & I/O

mm



Packing List

Item	Description
Power Cable	1 (L=1.5m)
Power Adapter	1 (65W/19V)
User manual	1
Driver	1