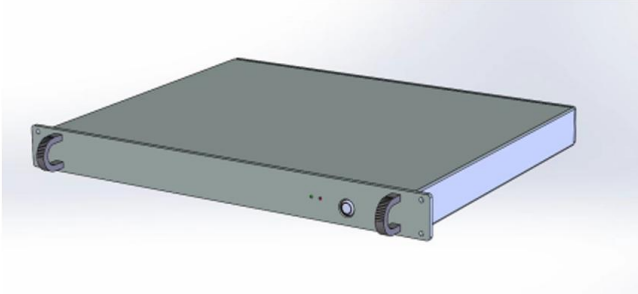


IPC-1001F

1U Rackmount Computer



Features

- Standard 1U rackmount computer
- 100% domestic, safe and controllable
- All metal reinforcement design is strong and durable
- FT2000 quad-core high-performance processor
- Support AC wide voltage work

Description

IPC-1001F is a standard 1U rackmount computer, equipped with FT2000 quad-core high-performance processor. It can be used to control the power supply system of user equipment, while displaying the overall cabinet voltage and current, and detecting the power supply of cabinet equipment. The device has on-board shock resistance, supports on-board voltage input, and can be applied to all kinds of special vehicles.

Specifications

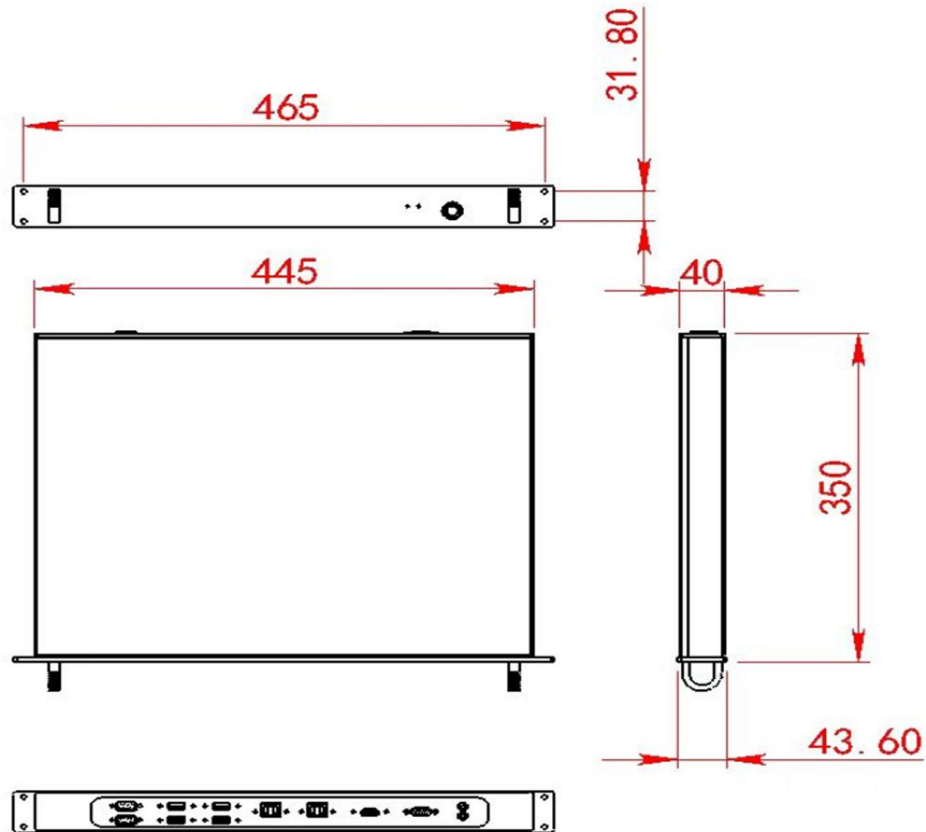
Processor	CPU	FT2000 Processor
	Frequency	2.2GHz
	Number of Cores	4 cores 4 threads
	Memory	DDR4 2400 8GB (MAX32GB)
	Storage	512G SSD
	Lan	GigE Lan port*2
	Graphics card	Phytium X100
Interface/Accessory	1*VGA 1*HDMI 4*USB2.0 2*RJ45 Lan port 1*AUDIO 1*switch 1*power light 1*Hard disk indicator 2*RS232	
Physical Characteristics	Size	W x H x D = 482 x 45x 350 mm
	Mounting	rackmount (Optional)
	Weight	≈6.5Kgs
OS	OS	Kirin V10
Power Supply	Power consumption/ Endurance	Maximum 75W AC input 100-240V
Environmental Suitability	Operating temperature/humidity	0°C ~ +60°C
	Vibration	2Grms, Random, 20~200Hz, 1Hour
	IP	IP41
	Shock	5G, Half sinusoid, 11ms

IPC-1001F

1U Rackmount Computer

Dimension & I/O Port

Unit : mm



Packing List

Item	Description
Power Cord	1 (L=1.5m)
Power Adaptor	W/O
Battery	1
Driver Disk	1

Ordering Information

Model No.	Description
IPC-1001F4	FT2000 Quad-Core 8GB +512G
IPC-1001F8	FT2000 Octa-core 16GB +1TB

UNIVITECH

Industrial Embedded PC