

# C156FL

## 15.6 Inch Ruggle Laptop



### Features

- Equipped with octa-core Phytium D2000 processor +X100
- DDR4 high-speed 16GB memory
- M.2 NVME 1T high speed hard drive
- All navigation plug-in design
- Autonomous and controllable, 100% localization
- All metal reinforced structure design fuselage
- Meet the environmental requirements of GJB150A and GJB151B
- Protection Level: IP65
- Operating temperature : -20°C ~ +55°C (-40°C is optional)

### Description

C156FL is a 100% domestic multi-functional reinforced computer. The computer has high-strength protective measures, all-metal navigation interfaces. It can be applied to a variety of harsh environments, such as shipboard, aerospace, cabin, railway transportation, field operations, etc. The C156FL can also be mounted on a fixed base or shock-absorbing base, with optional expansion slots for additional independent expansion space.

### Specifications

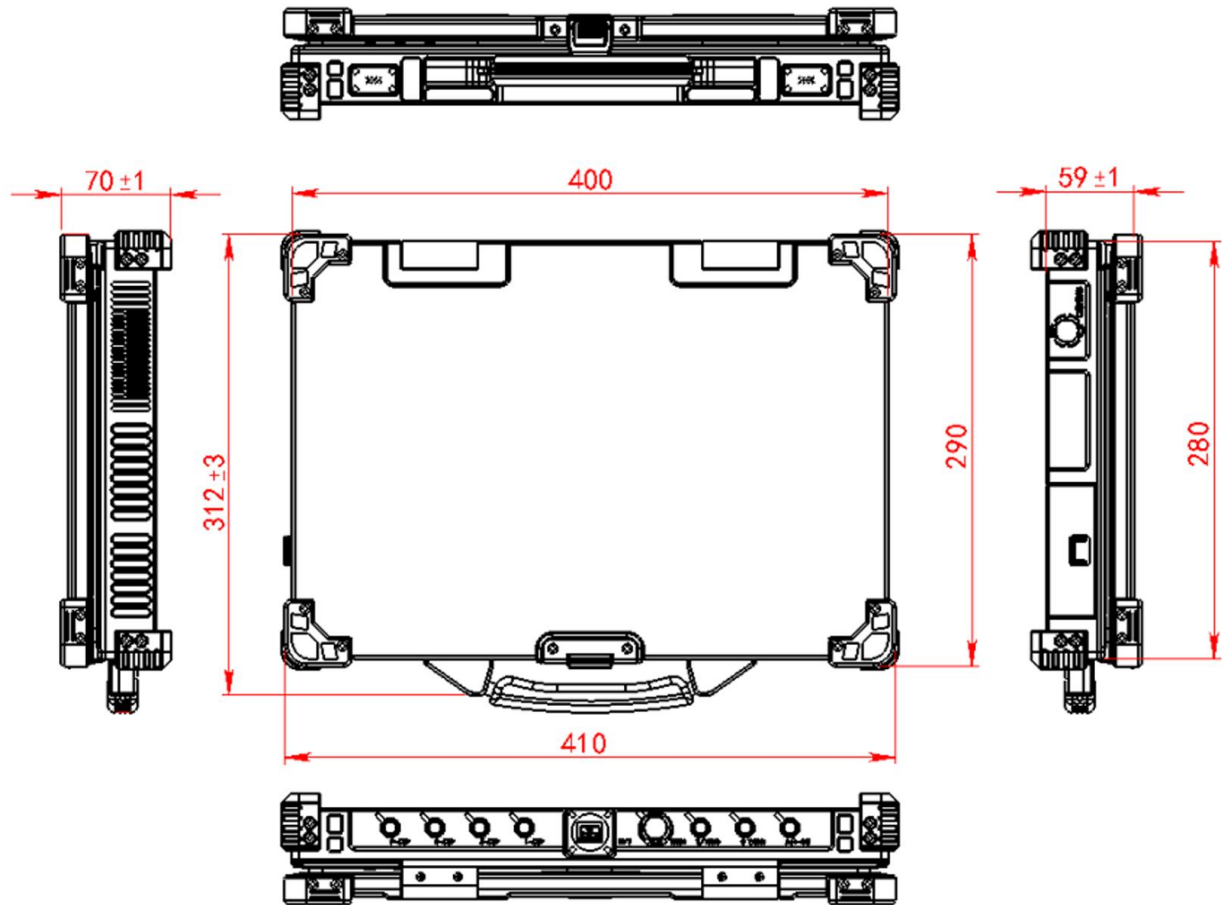
<b>Processor</b>	CPU	Feiteng D2000 Octa-core CPU
	Frequency	2.0GHz
	LAN	10/100/1000M Self-adaption
	Memory	DDR4 16GB
	Storage	NVME 1TB SSD (Optional)
	Navigation Slot	1 x DC in 2 x USB2.0 , 4 x COM (RS232) 2 x CAN , 2 x LAN, 1 x RS422 , 1 x USB3.0
<b>Display</b>	Resolution	1920X1080
	Size	15.6"
	Luminance	800(cd/m2)
<b>Physical characteristics</b>	Dimension	About: W 400 X H 59 X D 290mm Corners and handles are not included
	Weight	≈5kgs
<b>OS</b>	OS	Support domestic Kirin operating system and ARM version of Linux
<b>Power Supply</b>	Power consumption/Endurance	Power Consumption : ≤60W/Endurance ≥3 hours
<b>Environmental suitability</b>	Operating temperature/humidity	-20°C ~ +55°C (-40°C is optional) 5% ~ 90% (non-condensing)
	Shock	Half sine 5G, 11ms, XYZ axis 3 times

# C156FL

## 15.6 Inch Ruggle Laptop

### Dimension & I/O Port

Unit : mm



### Packing List

Item	Description
Aviation Power Supply	1 (L=1.8m)
Power Adaptor	1
Battery	1
Driver Disk	1