

C133F

13.3 Inch Ruggle Laptop



Features

- Equipped with Phytium 4-core CPU FT-2000/4 processor +X100
- Optional Phytium D2000 8 core processor
- DDR4 high-speed 16GB memory
- M.2 NVME SSD 1T high-speed hard disk
- All navigation plug-in design
- Autonomous and controllable , 100% localization
- All metal reinforced structure design
- Protection Level: IP65
- Operating temperature : -20°C ~ +55°C (-40°C is optional)

Description

The C133F is a multi-functional reinforced computer. Equipped with high-strength protective measures, the all-metal reinforced manufacturing meets the environmental requirements related to standard of the GJB150A and 150B. It can be used in a variety of harsh environments, such as shipboard , aerospace, shelter cars, railway transportation, field operations, etc. The C133F can also be mounted on a fixed base or shock-absorbing base, and an expansion slot is available for additional independent expansion space.

Specifications

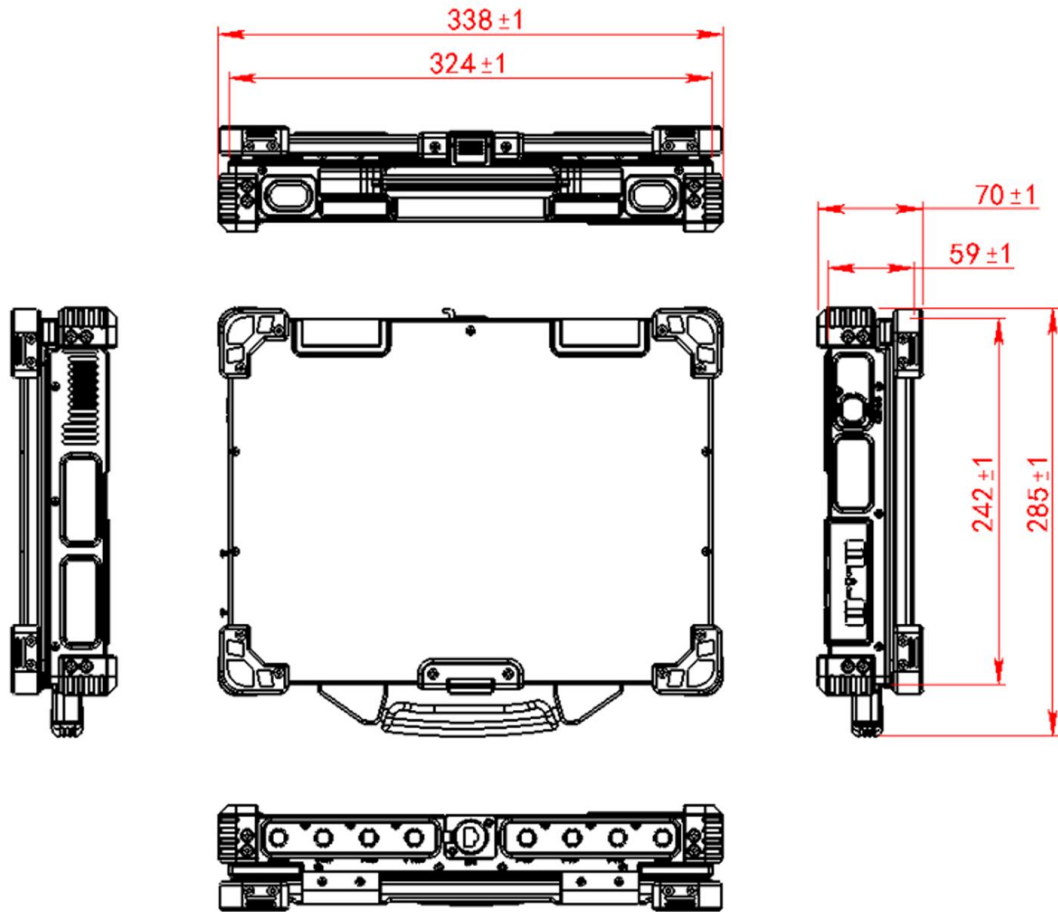
Processor	CPU	Phytium 4 Core CPU FT-2000/4
	Frequency	2.0GHz
	LAN	10/100/1000M Self-adaption
	Memory	DDR4 16GB
	Storage	NVME 1TB SSD (Optional)
	Navigation Slot	1 x DC in 2 x USB2.0 4 x COM (RS232)
Display	Resolution	1920X1080
	Size	13.3"
	Luminance	800(cd/m2)
Physical characteristics	Dimension	About: W 320 X H 54 X D 242mm Corners and handles are not included
	Weight	≈5kgs
OS	OS	Support domestic Kirin operating system and ARM version of Linux
Power Supply	Power consumption/	Power Consumption : ≤60W/
	Endurance	Endurance ≥3 hours
Environmental suitability	Operating temperature/humidity	-20°C ~ +55°C (-40°C is optional)
		5% ~ 90% (non-condensing)
	Shock	Half sine 5G, 11ms, XYZ axis 3 times

C133F

13.3 Inch Ruggle Laptop

Dimension & I/O Port

Unit : mm



Packing List

Item	Description
Aviation Power Supply	1 (L=1.8m)
Power Adaptor	1
Battery	1
Driver Disk	1