

# APC-1207

## 11.6 Inch Touch Screen Panel PC



### Features

- CPU: Intel® Core™ i7-7500U
- RAM: 8GB
- Screen: 11.6", resolution 1920\*1080
- Aluminum alloy, aviation connectors
- Protection level: IP65
- Working temp.: -20° C ~ +70° C

### Description

APC-1207 is a 11.6 inch with resolution of 1024\*768 capacitive touch screen panel PC, support to option Core™ i7-7500 processor. The built-in large-capacity battery can work normally for at least 3 hours without external power supply. Rugged seismic design , IP65 protection grade, it also supports wide voltage , wide working temperature.

### Specifications

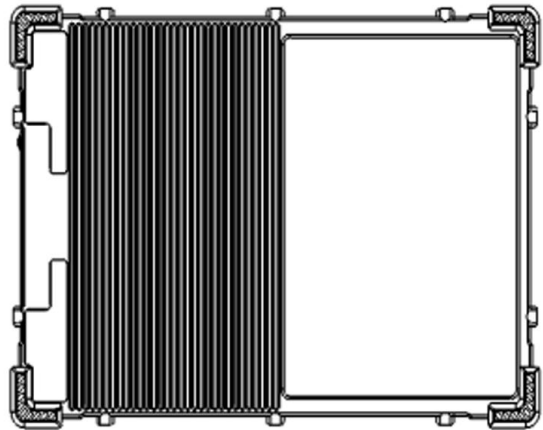
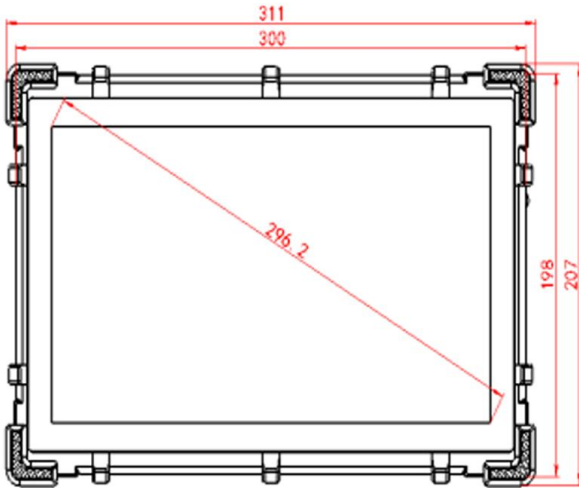
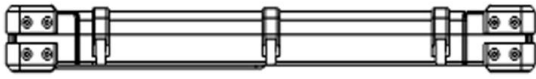
System	CPU Supports	Intel® Core™ i7-7500 Optional I7-8550U/I7-6600U/ I5-8250U/I5-7200U/I5-6200U/ Celeron 3867U
	CPU Frequency	2.7 GHz
	Core/ Thread	Dual core and four threads
	Graphics card	NVIDIA GeForce RTX3060 12GB
	RAM	8GB DDR4, up to 32 GB
	Storage	128GB SSD, Optional 256GB/512GB/1TB
	LAN	2 * Intel® Ethernet Controller I211-AT
	Screen	11.6 ", 1024*768 Resolution, 900cd/m <sup>2</sup> Brightness
	Touch Screen	Capacitive touch screen
	Power	19~24 VDC
	Battery	8000mAh
I/O	2 x LAN WiFi/BT (built-in) 4 x USB3.0 1 x HDMI 1 x DC36 ~ 75V	
Physical	Dimension	300 * 198 * 27.5 mm
	Protection Level	IP65
	Weight	~2Kgs
OS	OS supports	Windows10 2019 LTSC
Environment	Working temperature	-20°C ~ +70°C
	Storage temperature	-30°C ~ +80°C
	Working humidity	5% ~ 90% Non-condensing

# APC-1207

## 11.6 Inch Touch Screen Panel PC

### Dimension & I/O

mm



### Packing List

Item	Description
Power Cable	1 (L=1.5m)
Power Adapter	1
MIL -Connector	1
User manual	1