

APC-1205

12.1 Inch Touch Screen Panel PC



Features

- CPU: Intel® Core™ i7-6500U
- RAM: 8GB
- Screen: 12.1", resolution 1024*768
- Protection level: IP65
- Working temp.: -20° C ~ +70° C

Description

APC-1205 is a 12.1 inch with resolution of 1024*768 capacitive touch screen panel PC, support to option Core™ i7-6500 processor. The built-in large-capacity battery can work normally for at least 4 hours without external power supply. Rugged seismic design , IP65 protection grade, it also supports wide voltage , wide working temperature.

Specifications

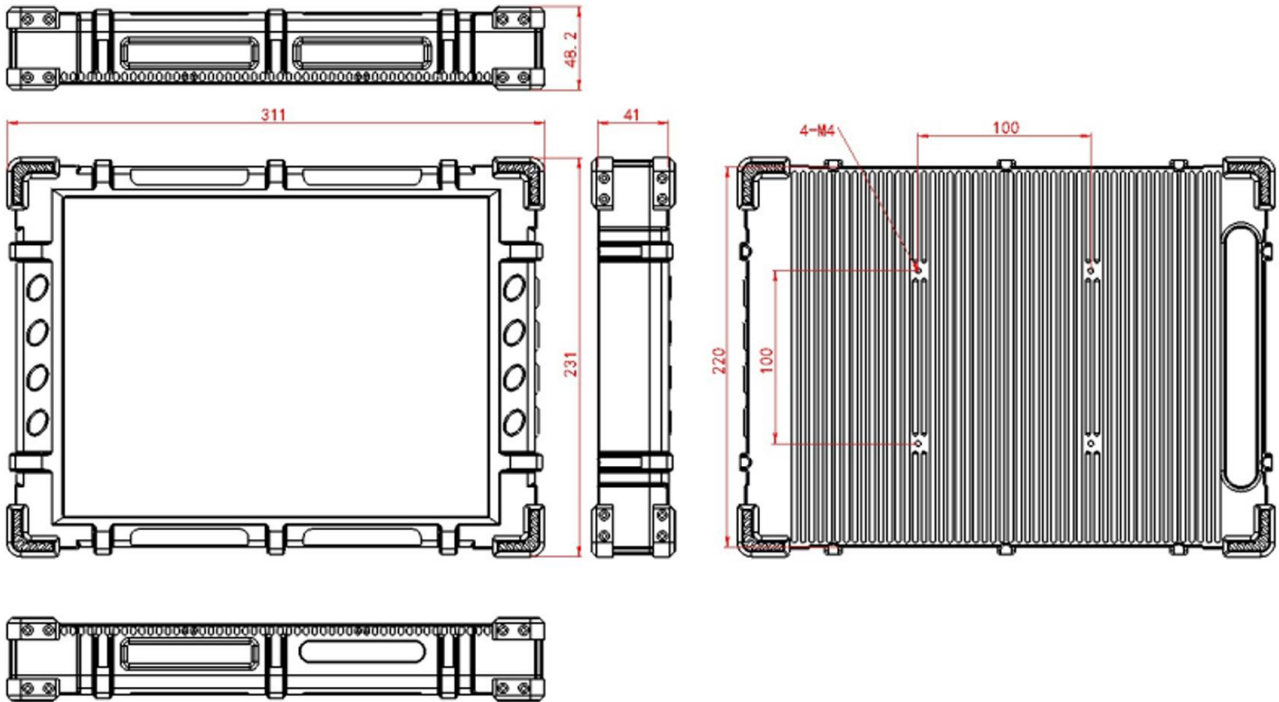
System	CPU Supports	Intel® Core™ i5-7200 Optional I3-6100U/I5-6200U/ I7-6500U/I3-7100U/I7-7500U/ Celeron 3865U
	CPU Frequency	2.5 GHz
	Core/ Thread	Dual core and four threads
	Graphics card	NVIDIA GeForce RTX3060 12GB
	RAM	8GB DDR4, up to 16GB
	Storage	128GB SSD, Optional 256GB/512GB/1TB
	Screen	12.1 ", 1024*768 Resolution, 900cd/m ² Brightness
	Touch Screen	Capacitive touch screen
	Power	19~25 VDC
	Battery	12000mAh
	I/O	1 x Vin, 1 x LAN (10/ 100/ 1000 Mbps) 2 x USB2.0, 1 x RS422
Physical	Dimension	≤311 * 231 * 48.2 mm
	Protection Level	IP65
	Weight	~3.3 kg
OS	OS supports	Windows 10
Environment	Working temperature	-20°C ~ +70°C
	Storage temperature	-30°C ~ +80°C
	Working humidity	5% ~ 90% Non-condensing

APC-1205

12.1 Inch Touch Screen Panel PC

Dimension & I/O

mm



Packing List

Item	Description
Power Cable	1 (L=1.5m)
Power Adapter	1
MIL -Connector	1
User manual	1