

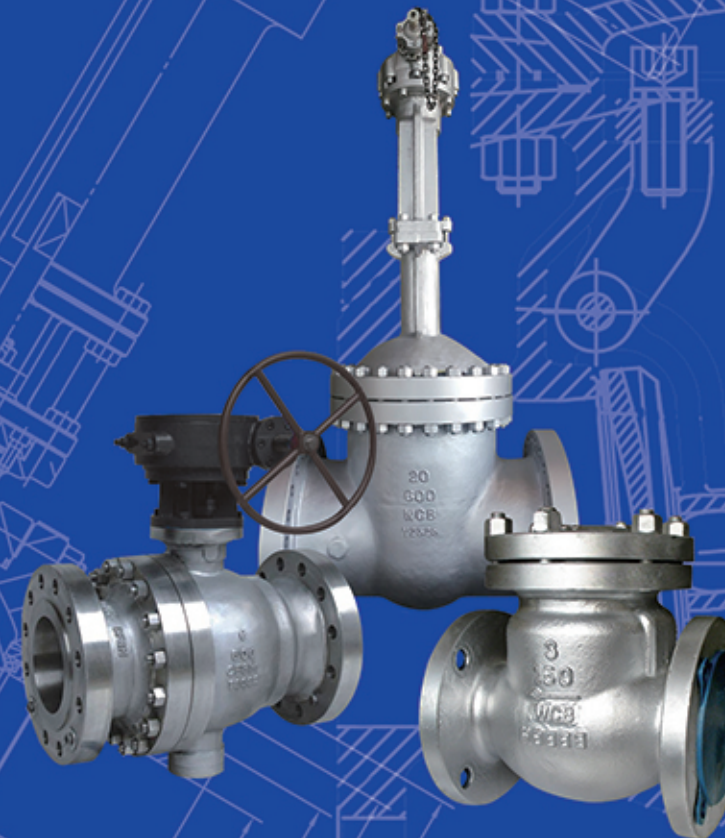
# GATE, GLOBE & CHECK VALVES BALL VALVES

SHIJIAZHUANG DEYE PIPE INDUSTRY CO.,LTD

NO. 368 YOU YI ST. SHIJIAZHUANG, HEBEI, CHINA  
Tel. +86 311 85335191  
Fax. +86 311 85335190

sales@deyepiping.com  
www.deyepiping.com

Edition 10/2019



GATE, GLOBE VALVES  
& CHECK VALVES  
& BALL VALVES



## The Company

DEYE Pipe Industry is a group company integrated with R & D, manufacturing and marketing in Valve Industry, we focus on finding solutions for Piping industrial needs and providing professional service for both general valves and customized valves & valves accessories, piping components includes counter flanges, gaskets, bolts and nuts.

### Business Scope

- DEYE Pipe Industry establish two workshops for Valves production. DEYE Valve (Wenzhou) focus on API valves for Oil & gas, Petrochemical and Sea Water. DEYE Valve (Hebei) focus on valves for water treatment and plumbing use. Valve for Drinking Water are with WRAS approved Certificate..



- We also cooperate with hundreds of valves manufactures and suppliers for different valves types, valves parts, casting and forging pieces. With a team which have 12 years working experience avergely & 6 quality control inspectors.

DEYE is professional and resourceful enough to find the right valves for you.

- Now our valves supply scope include below :
  - API 6D/API600 valves: Gate Valves check valves,
  - Globe valves, Plug valves, ball valves,
  - API609 High Performance butterfly valves. Triple offset butterfly valves, Eccentric Butterfly valves.
  - API594 Check Valves.
  - BS1868 Swing check valves
  - API602 Forged valves with high pressure up to 4500LBS.
  - BS5163 & BS6364 Rising & Non Rising gate valves for water.
  - DIN3352 F4/F5/F7 DIN3202 Cast iron/steel water valves.
  - AWWAC504/C500/AWWAC519/C515 Water valves.
  - Flanges, gaskets, bolts & Nuts.
  - Seamless/welded pipes.



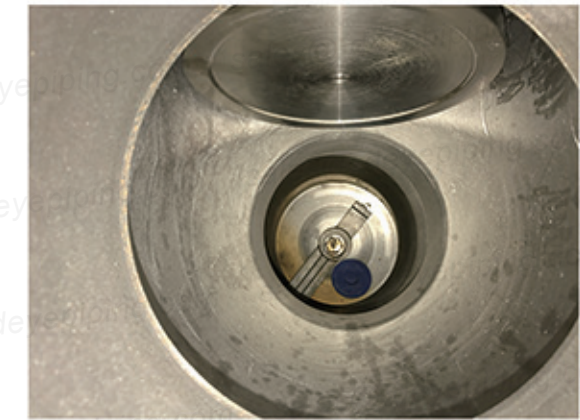
## A Single-Source solution

- Our customers have a complete choice of trim and body materials, bypass and connectors including: lift indicators, pneumatic and electric actuators, bevel gearings, chain wheels, extension stems, levers and adaptors.
- Cast Valve pressure range from 150# thru 1500# and temperature ratings as low as -200°C. Our technicians can also customize a configuration to fit your needs. CAD & PDF Drawings support at any requirement.

### Our Mission

- To service and supply excellent products to meet our customers' needs. Technical assistance to support customers' project.
- To be cost effective through Total Quality performance and provide the resources required to support our commitment to improve our products, processes and customer services.

### Quality control

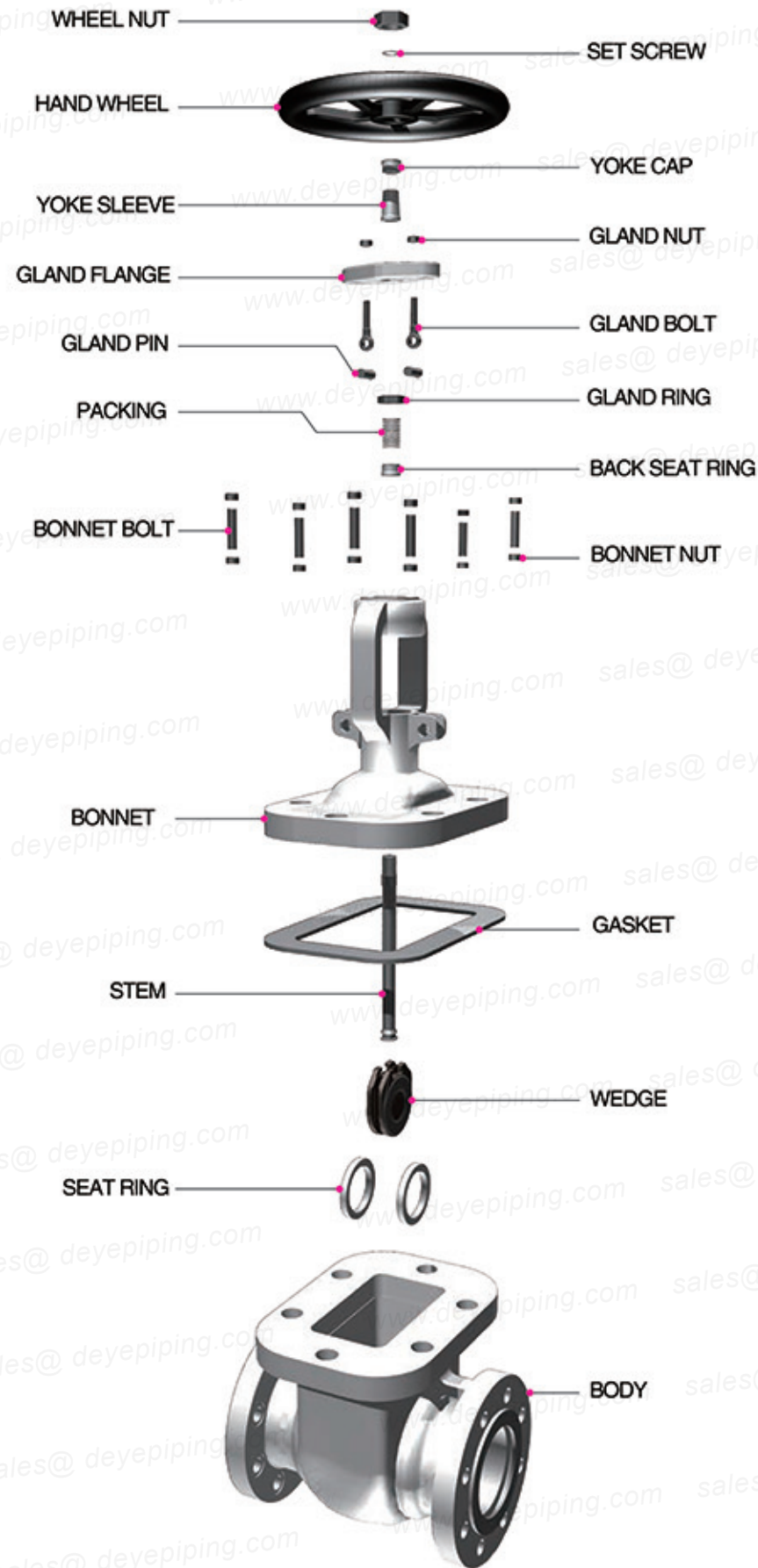


- Products are manufactured and tested in strict accordance to ASTM, ASME, API and other industry codes and specifications as applicable.
- Material Certifications are available upon request to the applicable ASTM/ASME material specifications for all DEYE supplied valves' bodies and bonnets and trims.
- Modern machining equipment plus rigid inspection procedures of all parts assure dimensional accuracy of every part.
- Quality Assurance procedures include 100% hydrostatic and pneumatic testing of all valves in full conformance to applicable API standards and industry codes.
- Chemical and mechanical properties of cast valve are fully traceable to the original casting heat lot.

DEYE Valve adhered to the quality as priority, has powerful technical development capability, the first-class processing and testing equipment, continuous optimized management system to ensure the performance and quality of DEYE valve.

Leading with its core idea of concentration & professionalism, DEYE will serve all its new and regular customers more attentively and professionally with more excellent products.





## STANDARD MANUFACTURE PROCESS FOR GATE VALVE

## STANDARD PRODUCTION SPECIFICATION

## →DESIGN

We have two kinds of design with Heavy Wall Thickness Type based on BS 1414 & API 600 and light Wall Thickness Type based on ANSI B16.34 & API 603.

## → SEAT RING &amp; BACK SEAT RING

Seal welded seat ring and Threaded back seat ring type to be provided for cast steel valves. Integral seat ring and back seat ring type to be provided for stainless steel valves.

## → TYPE OF WEDGE

1-1/2 inch & smaller size valves to be provided one piece plain solid wedges for light wall thickness type.  
2 inch & larger size valves to be provided one piece flexible wedges for light wall thickness type.

## →BASE MATERIALS OF WEDGE

In case of class 150 & 300 & 600 valves, 10 inch & smaller size valves to be provided wedge of casting materials equivalent with designating trim materials. 12 inch & larger size valves to be provided wedge of casting materials equivalent with designating body material.

In case of class 900 & larger class valves, all size valves to be provided disc of casting material equivalent with designating body materials.

## → YOKE

12 inch and larger size valves to be installed. Yoke separately for class 150 & 300.

10 inch and larger size valves to be installed. Yoke separately for class 600 & over.

## → YOKE CAP

In case of light Wall thickness Type, 4 inch and smaller size of class 150 & 300 valves not to be installed Yoke cap.

## →GLAND FLANGE BOLT

Swing type gland bolts are provided easy service of the stuffing box.

## → GASKET &amp; PACKING FOR HEAVY WALL THICKNESS TYPE

Reinforced graphite flat metal (stainless steel) gasket to be provided class 150 valves. spiral wound stainless steel hoop graphite filler gasket to be provided class 300 & 600 valves. In case of ring Joint Type, we shall provide soft steel ring gasket with oval section shape. anti-exclusion square-braiding graphite fiber top & bottom rings and pure graphite preformed packing to be provided all valves.

## →GASKET &amp; PACKING FOR LIGHT WALL THICKNESS TYPE

PTFE sheet gasket to be provided class 150. spiral wound stainless steel hoop PTFE filler gasket to be provided class 300 & 600.

In case of ring Joint Type, we shall provide stainless steel ring gasket with oval section shape. lattice-braiding pure PTFE fiber packing to be provided all valves.

\* Everything can be replaced the one which is requested by customers' requirement.

# GATE VALVE



# STANDARD MANUFACTURE PROCESS FOR GATE VALVE



## 美标铸钢闸阀 API Gast Steel Gate Valve

### STANDARD DESIGN SPECIFICATION

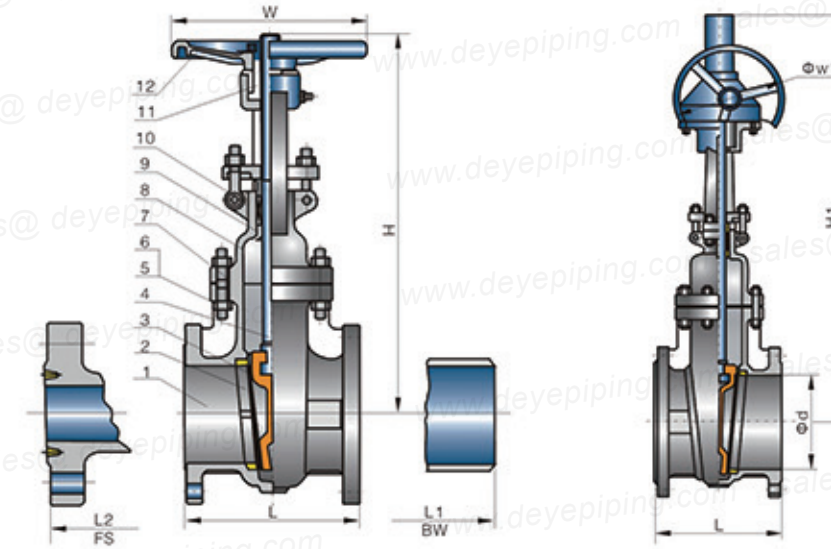
APPLIED PART	SPECIFICATION
Pressure Rating	ANSI B16.34
Face To Face (end To end)	ANSI B16.10
Flange Dimension	ANSI B16.5
26" and larger size	ANSI B16.47 Ser. A & B
Testing	API 598 / MSS-SP-41
Bonnet Bolt	ASTM A193 / ASTM A320
Bonnet nut	ASTM A194
Marking system	MSS-SP-25
Light Wall Thickness	ANSI B16.34 / API 603
Heavy Wall Thickness	API 600 / BS 1414
Design	API 600 / API6D / EN ISO10434

### STANDARD PRODUCTION RANGE

ANSI B16.34 / API 603 LIGHT WALL THICKNESS		BS 1414 / API 600 HEAVY WALL THICKNESS	
CLASS	SIZE	CLASS	SIZE
150	1/2" ~24"	150	2" ~48"
300	1/2" ~24"	300	2" ~48"
600	2" ~24"	600	2" ~42"
		900	2" ~24"
		1500	2" ~24"

### STANDARD MATERIALS SPECIFICATION

PART	CARBON STEEL VALVES			STAINLESS STEEL VALVES			SPECIAL STAINLESS STEEL VALVES		
	WCB	C5	LCB	CGB	CF8M	CF3M	CN7M	CD3MN	CE3MN
Standard Trim	410 (Half)	410 (Half)	304 (Half)	304	316	316L	N08020	S31803	S32750
Body	A216-WCB	A217-C5	A352-LCB	A351-CF8	A351-CF8M	A351-CF3M	A351-CN7M	A890-CD3MN	A890-CE3MN
seat ring	105+STL	A479-410 +STL	A479-304 +STL	Integral			Integral		
Wedge	A217-CA15	A217-CA15	A351 CF8	A351-CF8	A351-CF8M	A351-CF3M	A351-CN7M	A890-CD3MN	A890-CE3MN
Stem	A479-410	A479-410	A479-304	A479-304	A479-316	A479-316L	UNS N08020	UNS S31803	UNS S32750
Gasket	Spiral wound / Graphite +304+304								
Bonnet	A216WCB	A217-C5	A352-LCB	A351-CF8	A351-CF8M	A351-CF3M	A351-CN7M	A890-CD3MN	A890-CE3MN
Bonnet Bolt	A193-B7	A193-B16	A320-L7	A193-B8			A193-B8		
Bonnet nut	A194-2H	A194-GR.4	A194-4	A194-8			A194-8		
Back seat ring	A479-410	A479-410	A479-304	Integral			Integral		
Gland Packing	Graphite + Graphite with Inconel wire								
Packing Gland	A479-410A	479-410	A479-304	A479-304	A479-316	A479-316L	A351-CN7M	A890-CD3MN	A890-CD3MN
Hinge Pin	A576-1020			A479-304			A479-304		
Gland Bolt	A307-B			A193-B8			A193-B8		
Gland Flange	A105			A351-CF8			A351-CF8		
Gland Bolt nut	A563-B			A194-8			A194-8		
Yoke sleeve	A439-D2C			A439-D2C			A439-D2C		
Yoke cap	A576- 1020			A351-CF8			A351-CF8		
Hand Wheel	A536			A536			A536		
Hand Wheel nut	A576-1020			A351-CF8			A351-CF8		
Set Screw	Steel			304SS			304SS		
Grease Nipple	Steel Plated Cr			Steel Plated Cr			Steel Plated Cr		



### 执行标准

设计与制造:  
API Spec.6D 和 API600  
检验与试验:  
API Spec .6D 和 API 598  
法兰连接尺寸:  
ANSI B 16.5 和 MSS SP-44  
对焊连接尺寸:  
ASME B16.25  
结构长度:  
API Spec :6D 和 ANSI B16.10

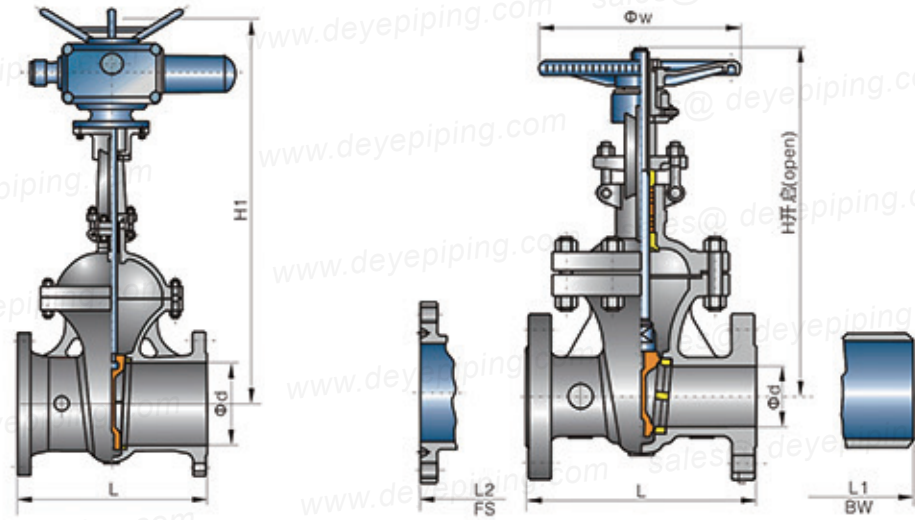
### Standards

Design and Manufacture:  
API Spec . 6D and API 600  
Inspect and Test:  
API Spec .6D and API 598  
RF flanged ends:  
ANSI B 16.5 and MSS SP-44  
Butt-welding ends:  
ASME B16.25  
Face to face:  
API Spec . 6D and ANSI B16.10

### 美标150Lb铸钢闸阀 Class 150 Cast Steel Gate Valve

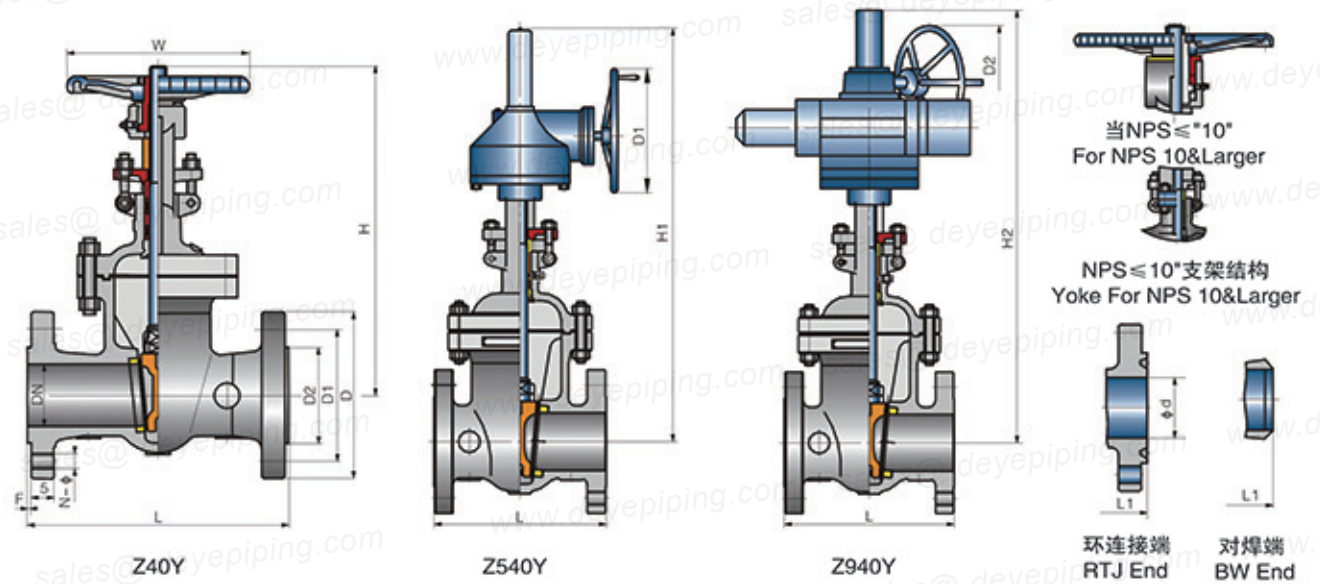
压力等级 Class	规格Size		尺寸Dimensions(mm)								重量 Weight(kg)	
	NPS	DN	L			d	H	H1	W	W1	H.W	G.O
			RF	RTJ	BW							
150LBS	1/2	15	108	119	108	14	195	-	120	-	4	-
	3/4	20	117	130	117	19	210	-	120	-	5	-
	1	25	127	140	127	25	240	-	140	-	7	-
	1 1/4	32	140	153	140	32	300	-	180	-	10	-
	1 1/2	40	165	178	165	38	395	-	200	-	14	-
	2	50	178	191	216	51	400	-	200	-	19	-
	2 1/2	65	191	203	241	64	435	-	200	-	25	-
	3	80	203	216	283	76	515	-	250	-	33.5	-
	4	100	229	241	305	102	595	-	280	-	48.5	-
	5	125	254	267	381	127	725	-	280	-	60.5	-
	6	150	267	279	403	152	780	820	300	310	77	104
	8	200	292	305	419	203	975	1020	350	310	115	150
	10	250	330	343	457	254	1150	1200	400	310	175	215
	12	300	356	368	502	305	1380	1430	450	310	280	315
	14	350	381	394	572	337	1545	1580	500	310	385	435
	16	400	406	419	610	387	1733	1780	500	460	500	552
	18	450	432	445	660	438	1915	1990	500	460	601	653
	20	500	457	470	711	489	2122	2220	600	460	764	816
24	600	508	521	813	591	2520	2600	600	460	1007	1185	
26	650	559	-	864	633	-	2800	-	600	-	1550	
28	700	610	-	914	684	-	3050	-	600	-	1880	
30	750	610	-	914	735	-	3130	-	600	-	2300	
32	800	711	-	965	779	-	3280	-	600	-	2550	
34	850	762	-	1016	830	-	3500	-	600	-	2950	
36	900	711	-	1016	874	-	3720	-	600	-	3390	





美标300Lb铸钢闸阀 Class 300 Cast Steel Gate Valve

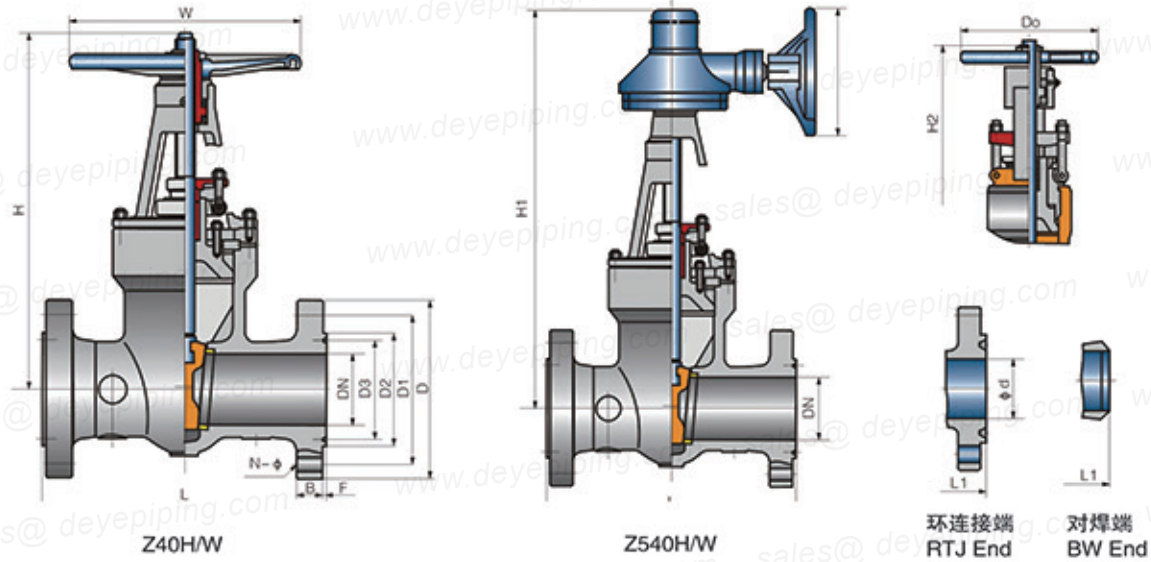
压力等级 Class	规格Size		尺寸Dimensions(mm)								重量 Weight(kg)	
	NPS	DN	L			d	H	H1	W	W1	H.W	G.O
			RF	RTJ	BW							
300LBS	1/2	15	140	151	140	14	198	-	120	-	6	-
	3/4	20	152	165	152	19	215	-	140	-	7	-
	1	25	165	178	165	25	245	-	160	-	10	-
	1 1/4	32	178	191	178	32	306	-	180	-	15	-
	1 1/2	40	190	203	190	38	400	-	200	-	21	-
	2	50	216	232	216	51	420	-	200	-	24	-
	2 1/2	65	241	257	241	64	446	-	200	-	34	-
	3	80	283	298	283	76	537	-	250	-	43	-
	4	100	305	321	305	102	619	650	280	310	63	100
	5	125	381	397	381	127	722	750	300	310	99	126
	6	150	403	419	403	152	806	835	350	310	140	186
	8	200	419	435	419	203	1000	1030	400	310	218	235
	10	250	457	473	457	254	1240	1280	450	310	350	386
	12	300	502	518	502	305	1425	1460	500	310	510	502
	14	350	762	778	762	337	1585	1620	600	460	800	756
	16	400	838	854	838	387	1790	1830	500	460	923	965
	18	450	914	930	914	438	1960	2000	650	460	1131	1224
	20	500	991	1010	991	489	2158	2220	750	460	1345	1400
24	600	1143	1165	1143	591	2576	2620	900	600	2122	2385	
26	650	1245	1270	1245	633	-	2850	-	600	-	3000	
28	700	1346	1372	1346	684	-	3080	-	600	-	3300	
30	750	1397	1422	1397	735	-	3180	-	600	-	3550	
32	800	1524	1553	1524	779	-	3300	-	600	-	4400	
34	850	1626	1654	1626	830	-	3550	-	600	-	5200	
36	900	1727	1756	1727	874	-	3760	-	600	-	6050	



美标600Lb、900Lb铸钢闸阀 Class 600 & Class 900 Cast Steel Gate Valve

压力等级 Class	规格Size		尺寸Dimensions(mm)								重量 Weight(kg)	
	NPS	DN	L			d	H	H1	W	W1	H.W	G.O
			RF	RTJ	BW							
600LBS	2	50	292	295	292	51	444	-	200	-	32	-
	2 1/2	65	330	333	330	64	500	-	250	-	52	-
	3	80	356	359	356	76	558	585	280	310	60	87
	4	100	432	435	432	102	665	695	300	310	107	134
	5	125	508	511	508	127	760	790	350	310	175	227
	6	150	559	562	559	152	868	900	450	310	216	268
	8	200	660	664	660	203	1073	1110	500	310	399	451
	10	250	787	791	787	254	1263	1300	650	460	605	657
	12	300	838	841	838	305	1600	1650	700	460	851	893
	14	350	889	892	889	337	1705	1750	900	460	1177	1232
	16	400	991	994	991	387	1835	1900	900	460	1513	1568
	18	450	1092	1095	1092	438	-	2020	-	600	-	1980
20	500	1194	1200	1194	489	-	2172	-	600	-	2460	
24	600	1397	1407	1397	591	-	2650	-	600	-	3650	
900LBS	2	50	368	371	368	51	500	-	280	-	70	-
	2 1/2	65	419	422	419	64	550	-	280	-	110	-
	3	80	381	384	381	76	610	660	300	310	140	167
	4	100	457	460	457	102	702	750	350	310	200	227
	5	125	559	562	559	127	850	900	400	310	258	285
	6	150	610	613	610	152	980	1060	500	460	358	410
	8	200	737	740	737	203	1100	1140	650	460	550	600
	10	250	838	841	838	254	1320	1370	700	460	1000	1100
	12	300	965	968	965	305	1500	1560	900	460	1215	1310
	14	350	1029	1038	1029	322	1900	1950	900	600	1600	1700
	16	400	1130	1140	1130	373	2050	2100	900	600	2150	2330





美标1500Lb 2500Lb铸钢闸阀 Class 1500 & Class 2500 Cast Steel Gate Valve

压力等级 Class	规格Size		尺寸Dimensions(mm)								重量 Weight(kg)	
	NPS	DN	L			d	H	H1	W	W1	H.W	G.O
			RF	RTJ	BW							
1500LBS	2	50	368	371	368	51	510	-	280	-	70	-
	2 1/2	65	419	422	419	64	560	-	300	-	110	-
	3	80	470	473	470	76	620	670	350	310	175	202
	4	100	546	549	546	102	728	770	400	310	270	300
	5	125	673	676	673	127	870	920	450	310	378	405
	6	150	705	711	705	144	1000	1070	500	460	520	575
	8	200	832	841	832	192	1130	1180	750	460	820	915
	10	250	991	1000	991	239	1360	1410	900	600	1560	1750
2500LBS	12	300	1130	1146	1130	287	-	1620	-	600	-	2120
	14	350	1257	1276	1257	315	-	2020	-	600	-	2600
	16	400	1384	1407	1384	360	-	2180	-	600	-	3450
	2	50	451	454	451	42	530	580	280	310	100	130
	2 1/2	65	508	514	508	52	580	630	300	310	150	180
	3	80	578	584	578	62	650	700	350	310	245	275
	4	100	673	683	673	87	750	800	400	310	390	420
	5	125	794	807	794	96	900	960	500	460	550	580
6	150	914	927	914	131	1040	1100	600	460	780	835	
8	200	1022	1038	1022	179	1150	1200	750	460	1260	1355	
10	250	1270	1292	1270	223	1400	1460	900	600	2380	2565	
12	300	1422	1445	1422	265	-	1660	-	600	-	3250	

#### 应用规范

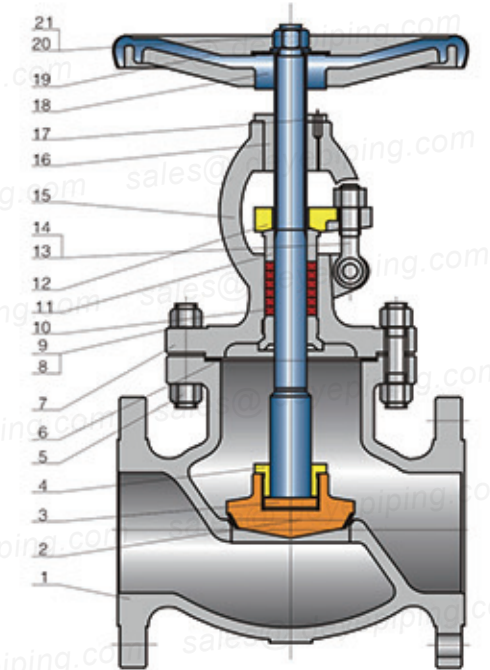
- 1、阀门的设计与制造按BS 1873的规定
- 2、阀门的压力温度基准按ANSI B16.34的规定
- 3、连接法兰按B 16.5的规定
- 4、阀门的检验与验收按API 598的规定

#### Application Of Norms

- 1、 Valve design and manufacturing requirements in accordance with BS 1873
- 2、 Valve pressure and temperature basis, by the provisions of ANSI B16.34
- 3、 The connection flange in accordance with the provisions of B16.5
- 4、 The valve according to API 598 inspection and acceptance requirements

#### 主要零件材质 Parts Material

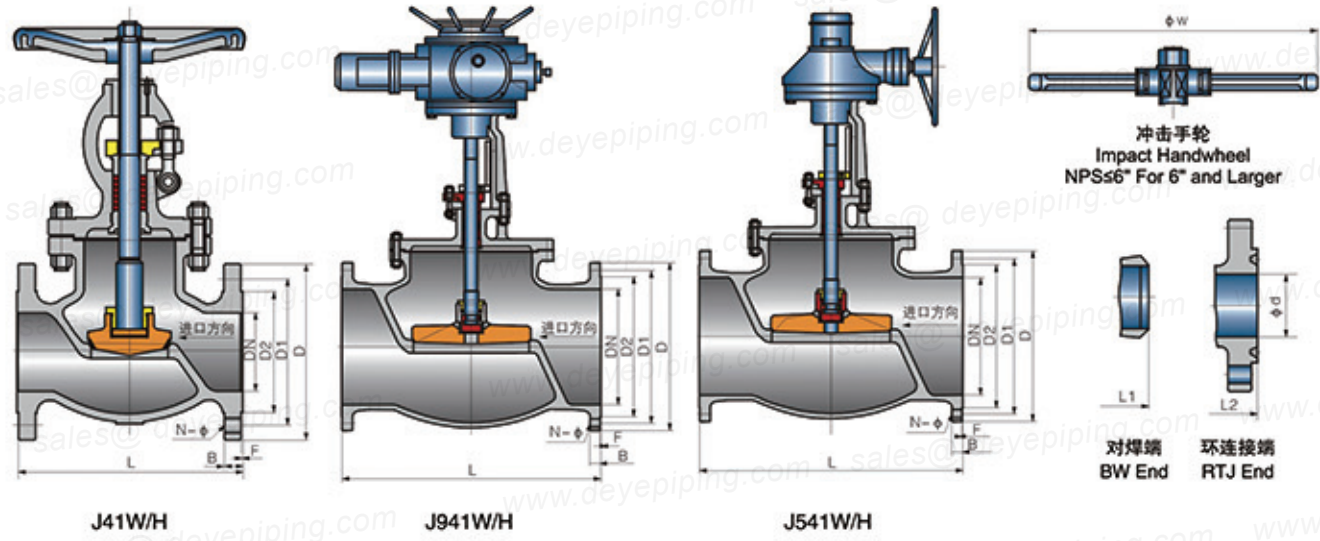
序号 No.	零件名称 Parts Name	材质 Material	
		不锈钢 Stainless Steel	铸钢 Cast Steel
1	阀体 Body	A351-CF8	A216-WCB
2	阀瓣 Disc	A182-F304	2Cr13
3	阀杆 Stem	A182-F304	A182-6A
4	阀瓣盖 Disc cover	A182-F304	2Cr13
5	缠绕垫片 Spiral wound gasket	PTFE	Flexible graphite+304
6	上密封座 The seal seat	F304	2Cr13
7	阀盖 Valve cover	A351-CF8	A216-WCB
8	螺栓 Bolt	A193-B8	A193-B7
9	螺母 Nut	A194-8	A194-2H
10	填料 Packing	PTFE	Flexible graphite
11	填料压套 Press kit packing	CF8	2Cr13
12	填料压板 Packing plate	CF8	A216-WCB
13	螺母 Nut	A194-8	A194-2H
14	销 Pin	410	35
15	螺栓 Bolt	A193-B7	A193-B7
16	阀杆螺母 Stem nut	ZCuA110Fe3	ZCuA110Fe3
17	螺钉 Screw	410	A105
18	手轮 Handwheel	KTH300-8	KTH300-8
19	铭牌 Nameplate	L2	L2
20	螺母 Nut	B8	A194-2H
21	垫圈 Washer	410	Q235A







### 美标铸钢截止阀 API Cast Steel Globe Valve



### 美标150Lb铸钢截止阀 Class 150 Cast Steel Globe Valve

压力等级 Class	规格Size		尺寸Dimensions(mm)								重量 Weight(kg)	
	NPS	DN	L			d	H	H1	W	W1	H.W	G.O
			RF	RTJ	BW							
150LBS	1/2	15	108	119	108	13	192	-	100	-	4	-
	3/4	20	117	130	117	19	193	-	100	-	6	-
	1	25	127	140	127	25	217	-	100	-	8	-
	1 1/4	32	140	152	140	32	235	-	135	-	12	-
	1 1/2	40	165	178	165	38	258	-	135	-	16	-
	2	50	203	216	203	51	330	-	200	-	17.5	-
	2 1/2	65	216	229	216	64	360	-	250	-	29	-
	3	80	241	254	241	76	390	-	280	-	32	-
	4	100	292	305	292	102	445	-	300	-	51	-
	5	125	356	369	356	127	480	-	350	-	67	-
	6	150	406	419	406	152	520	556	350	310	92	258
	8	200	495	508	495	203	600	658	400	310	147	300
10	250	622	635	622	254	773	805	450	460	250	450	
12	300	698	711	698	305	880	955	500	460	415	725	

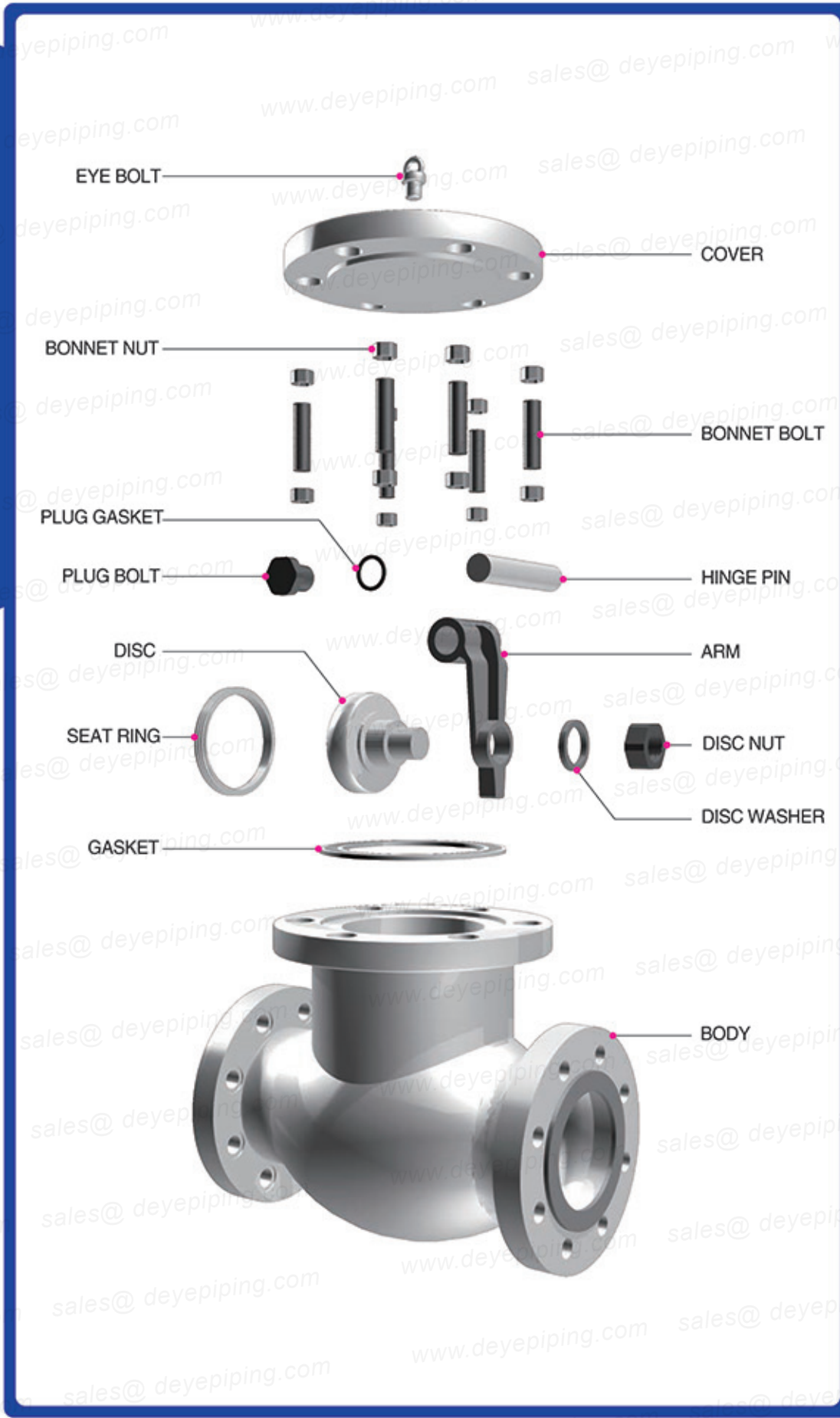


### 美标铸钢截止阀 API Cast Steel Globe Valve

### 美标300Lb-900Lb铸钢截止阀 Class300-Class900 Cast Steel Globe Valve

压力等级 Class	规格Size		尺寸Dimensions(mm)								重量 Weight(kg)		
	NPS	DN	L			d	H	H1	W	W1	H.W	G.O	
			RF	RTJ	BW								
300LBS	1/2	15	152	164	152	14	185	-	100	-	5	-	
	3/4	20	178	191	178	19	195	-	100	-	7	-	
	1	25	203	216	203	25	220	-	135	-	10	-	
	1 1/4	32	216	229	216	32	240	-	135	-	14	-	
	1 1/2	40	229	241	229	38	260	-	160	-	19	-	
	2	50	267	283	267	51	385	-	200	-	25	-	
	2 1/2	65	292	308	292	64	420	-	200	-	42	-	
	3	80	318	333	318	76	440	-	280	-	46	-	
	4	100	356	371	356	102	515	-	350	-	74	-	
	5	125	400	416	400	127	580	-	350	-	111	-	
	6	150	444	460	444	152	660	690	400	310	165	195	
	8	200	559	575	559	203	900	950	550	460	275	327	
600LBS	10	250	622	638	622	254	950	990	600	460	400	452	
	12	300	711	727	711	305	1030	1080	700	460	624	725	
	2	50	292	295	292	51	360	-	250	-	32	-	
	2 1/2	65	330	333	330	64	410	-	280	-	42	-	
	3	80	356	359	356	76	465	-	300	-	63	-	
	4	100	432	435	432	102	545	575	400	310	107	138	
	5	125	508	511	508	127	625	660	500	310	185	215	
	6	150	559	562	559	152	785	820	550	460	290	342	
	8	200	660	664	660	200	930	960	650	460	540	645	
	900LBS	2	50	368	371	368	51	480	-	350	-	56	-
		2 1/2	65	419	422	419	64	520	-	350	-	68	-
		3	80	381	384	381	76	564	630	400	310	95	128
4		100	457	460	457	102	685	720	450	310	160	210	
5		125	559	562	559	127	780	840	550	460	270	325	
6		150	610	613	610	152	950	1015	650	460	410	480	





STANDARD MANUFACTURE PROCESS FOR SWING CHECK VALVE

STANDARD PRODUCTION SPECIFICATION

→ DESIGN

We have two design with Heavy Wall Thickness Type based on BS 1868 & API 600 and light Wall Thickness Type based on ANSI B16.34 & API 603.

→ SEAT RING

Seal welded seat ring type to be provided for cast steel valves.  
Integral seat ring type to be provided for stainless steel valves.

→ BASE MATERIALS OF DISC

In case of class 150 & 300 & 600 valves, 1 inch & smaller size valves to be provided disc of casting or bar materials equivalent with designating trim materials for light wall thickness type.  
From 1-1/2 to 6 inch size valves to be provided disc of casting materials equivalent with designating trim material.  
8 inch & larger size valves to be provided disc of casting materials equivalent with designating body material. In case of class 900 & larger class valves, all size valves to be provided casting material equivalent with designating body material.

→ ARM

In case of 150 & 300 valves for light wall thickness type, 4" and smaller size valves to be provided arm of investment casting equivalent with designating trim material.

→ DISC NUT & WASHER

In case of stainless steel body material, we provide the equivalent material of disc nut & washer with designating trim material. In case of carbon & alloy steel body material, it is A194-8 and A240-304.

→ GASKET FOR HEAVY WALL THICKNESS TYPE

Reinforced Graphite flat metal (stainless steel) gasket to be provided class 150 valves.  
Spiral wound stainless steel hoop graphite filler gasket to be provided class 300 & 600 valves.  
In case of ring Joint Type, we shall provide soft steel ring gasket with oval section shape.

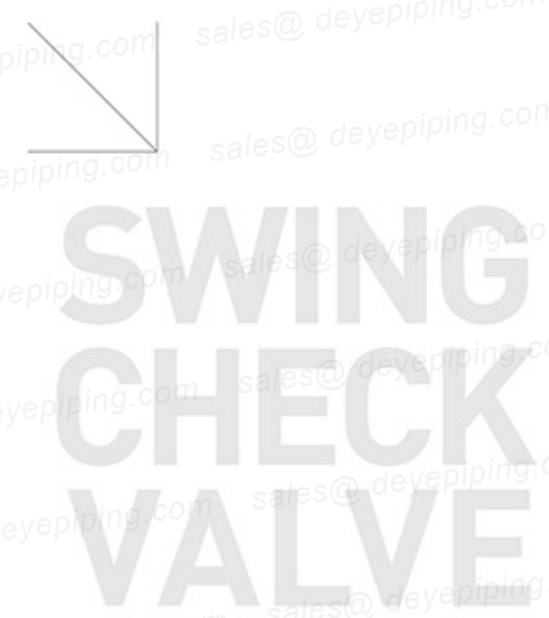
→ GASKET FOR LIGHT WALL THICKNESS TYPE

Flat PTFE gasket to be provided class 150.  
Spiral wound stainless steel hoop PTFE filler gasket to be provided class 300 & 600.  
In case of ring Joint Type, we shall provide stainless steel ring gasket with oval section shape.

→ PLUG BOLT & PLUG GASKET

In case of plug bolt, we shall provide the different materials of plug bolt as per body's material.  
For plug gasket, serrated metal gasket is sun korea's standard.

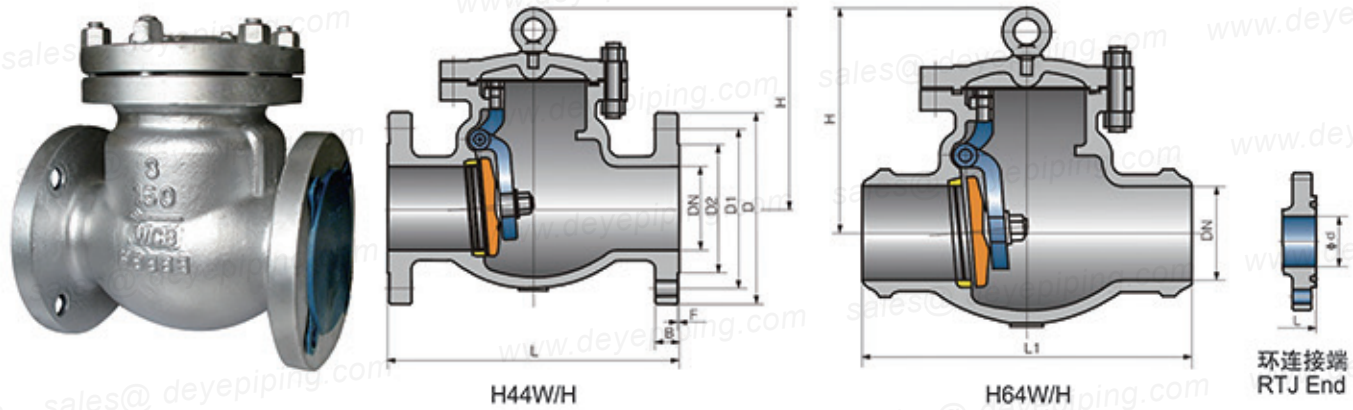
\* Everything can be replaced the one which is requested by customers' requirement.







### 美标铸钢旋启式止回阀 API Cast Steel Swing Check Valve

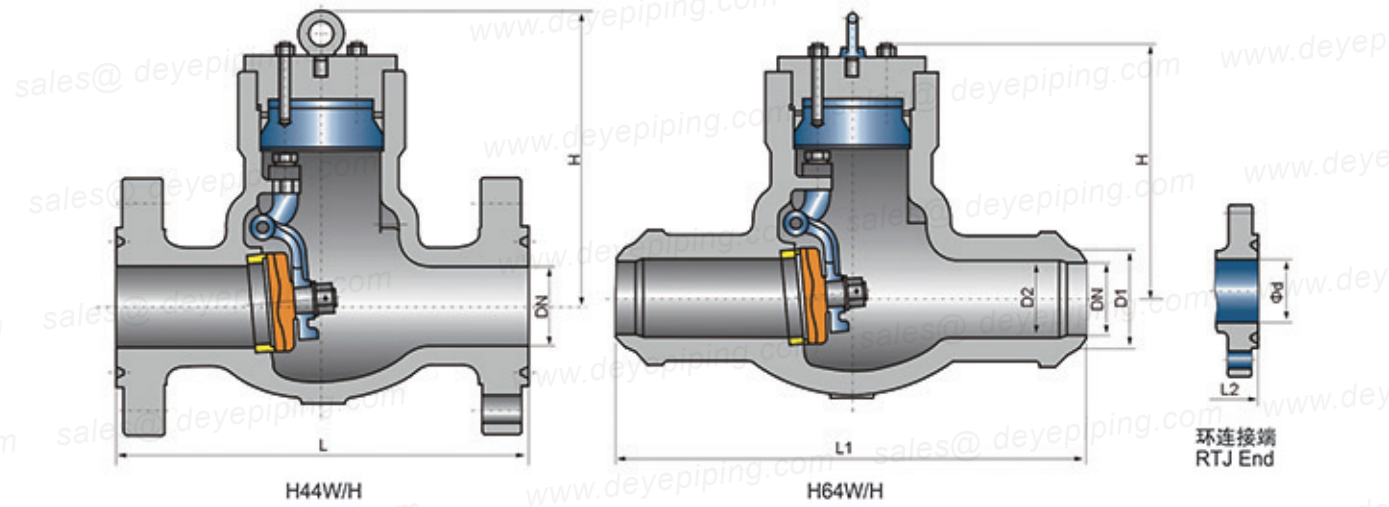


美标150Lb ~ 300Lb旋启式止回阀 Class 150 & Class 300 Cast Steel Swing Check Valve

规格Size		Class 150						Class 300					
NPS	DN	尺寸Dimensions(mm)					重量 Weight (kg)	尺寸Dimensions(mm)					重量 Weight (kg)
		RF	RTJ	BW	d	H		RF	RTJ	BW	d	H	
2	50	203	216	203	51	132	15	267	283	267	51	144	18
2 1/2	65	216	229	216	64	147	20	292	308	292	64	169	30
3	80	241	254	241	76	176	27	318	333	318	76	210	35
4	100	292	305	292	102	198	45	356	371	356	102	260	41
5	125	330	343	330	127	255	58	400	416	400	127	295	60
6	150	356	368	356	152	320	69	445	460	445	152	326	71
8	200	495	508	495	203	380	131	533	549	533	203	380	150
10	250	622	635	622	254	440	219	622	638	622	254	440	265
12	300	699	711	699	305	480	321	711	727	711	305	520	450
14	350	787	800	787	337	530	380	838	854	838	337	540	640
16	400	864	876	864	387	580	560	864	879	864	387	588	850
18	450	978	991	978	438	618	630	978	994	978	438	670	1030
20	500	978	991	978	489	657	770	1016	1035	1016	489	720	1330
24	600	1295	1308	1295	591	760	960	1346	1368	1346	591	850	1950
26	650	1295	-	1295	633	840	1250	1346	1372	1346	633	920	2300
28	700	1448	-	1448	684	920	1580	1499	1524	1499	684	1150	2600
30	750	1524	-	1524	735	980	1950	1594	1619	1594	735	1260	3200



### 美标铸钢旋启式止回阀 API Cast Steel Swing Check Valve

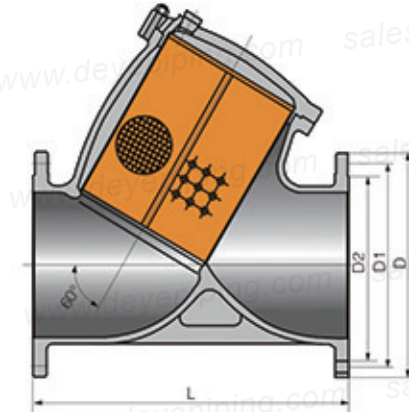
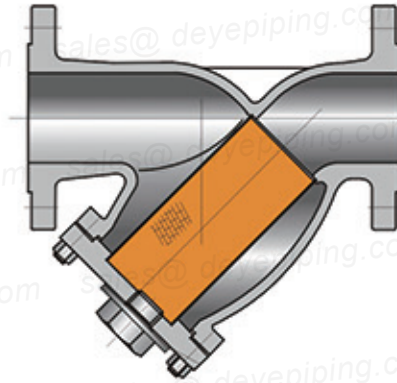


美标600Lb ~ 2500Lb旋启式止回阀 Class 600 ~ Class 2500 Cast Steel Swing Check Valve

规格Size		Class 600					Class 900						
NPS	DN	尺寸Dimensions(mm)				重量 Weight (kg)	尺寸Dimensions(mm)				重量 Weight (kg)		
		RF	RTJ	BW	d		H	RF	RTJ	BW		d	H
2	50	292	295	292	51	170	28	368	371	368	51	200	48
2 1/2	65	330	333	330	64	178	40	419	422	419	64	220	75
3	80	356	359	356	76	246	68	381	384	381	76	280	95
4	100	432	435	432	102	290	117	457	460	457	102	320	135
5	125	508	511	508	127	320	155	559	562	559	127	360	200
6	150	559	562	559	152	360	192	610	613	610	152	400	264
8	200	660	664	660	203	430	340	737	740	737	203	480	424
10	250	787	791	787	254	502	515	838	841	838	254	560	730
12	300	838	841	838	305	554	750	965	968	965	305	632	1070
14	350	889	892	889	337	595	890	1029	1038	1029	337	680	1180
16	400	991	994	991	387	680	1303	1130	1140	1130	373	780	1790
18	450	1092	1095	1092	438	778	1800	1219	1232	1219	423	880	2500
20	500	1194	1200	1194	489	970	2150	1321	1334	1321	471	1050	3080
24	600	1397	1407	1397	591	1100	3200	1549	1568	1549	522	1200	4600

规格Size		Class 1500					Class 2500						
NPS	DN	尺寸Dimensions(mm)				重量 Weight (kg)	尺寸Dimensions(mm)				重量 Weight (kg)		
		RF	RTJ	BW	d		H	RF	RTJ	BW		d	H
2	50	368	371	368	51	210	48	451	454	451	42	230	68
2 1/2	65	419	422	419	64	240	75	508	514	508	52	260	100
3	80	470	473	470	76	303	120	578	584	578	62	330	165
4	100	546	549	546	102	340	180	673	683	673	87	370	260
5	125	673	676	673	127	380	294	794	807	794	96	410	440
6	150	705	711	705	144	430	385	914	927	914	131	460	580
8	200	832	841	832	192	500	634	1022	1038	1022	179	530	970
10	250	991	1000	991	239	590	1140	1270	1292	1270	223	620	1700
12	300	1130	1146	1130	287	660	1650	1422	1445	1422	265	690	2600
14	350	1257	1276	1257	315	710	2000	-	-	-	-	-	-
16	400	1384	1407	1384	360	820	2700	-	-	-	-	-	-





法兰连接美标过滤器  
Flange connection API Y type strainer

执行标准 Administer Standard

设计与制造 Design And Manufacture	结构长度 Face To Face	法兰尺寸 Flange Dimension	压力-温度 Pressure Temperature Laying	试验-检验 Inspection And Test
JIS B2071 B2081	JIS B2002	JIS B2212 B2214	JIS B2017 B2081	JIS B2003
ANSI B16.34	ANSI B16.34	ANSI 16.5	ANSI B16.34	API 598

压力试验 Pressure Test

公称压力 Nominal Pressure	强度试验 Shell Test		密封试管(液) Water Seal Test		密封试验(气) Air Seal Test	
	MPa	Lbf/in2	Mpa	Lbf/in2	Mpa	Lbf/in2
150	3.0	430	2.2	315	0.4-0.7	60-100
300	7.7	1110	5.7	815		

主要零件材料及性能 Main Part Materials and Property

体盖脚螺栓导向套 Body Cover Dischinge Slideway bush	滤网 Filter	垫片 Sealing Shim	工作温度℃ Working Temperature	适用介质 Suitable Medium
WCB	SS316	增强柔性石墨	≤425℃	水、蒸气、油品 Water Steam
WC1		1Cr 13/柔性石墨	≤450℃	
WC6		不锈钢/耐酸石棉	≤540℃	
WC9		PTFE 齿型垫片	≤570℃	石油类、醋酸类 Petroleum Propducts
C5 C12		Enhanced Flexible graphite	≤540℃	
CF8		Graphite		
CF8M	SS316L	S. Si/Acid-proof	≤200℃	硝酸类、醋酸类 Nitric Acid Acetic Acid
CF3		Asbestos		
CF3M		Tooth Profile Gasket		

主要技术参数 Main technical parameter

型号 Model	连接形式 Connection type	公称压力 Nominal pressure	耐压试验压力 Proof pressre	工作压力 Working pressre	壳体材料 Shell material	过滤网 Filter screen	网眼总面积 Mesh total area
SY4P-10	法兰Flange	1.0	1.1	1.0	灰铸铁Gray cast iron	不锈钢	3~4DN
SY4P-16	法兰Flange	1.6	1.76	1.6	球墨铸铁Spherical cast iron	Stainless	
SY4P-25	法兰Flange	2.5	2.75	2.5	碳钢Carbon steel	steel	

主要连接尺寸 Main external dimensions

型号 Type	公称通径DN	d	L	o	C	n-Φ	g	t
150Lb	1/2 "	13	130	89	60.5	4-15	35	16
	3/4 "	19	150	98	70	4-15	43	18
	1 "	25.4	160	108	79.5	4-15	51	18
	1 1/4 "	32	180	117	89	4-15	64	18
	1 1/2 "	38.1	200	127	98.5	4-15	73	18
	2 "	51	230	152	120.5	4-19	92	20
	2 1/2 "	64	290	178	139.5	4-19	105	22
	3 "	76	310	190	152.5	4-19	127	24
300Lb	4 "	102	350	229	190.5	4-19	157	24
	1/2 "	13	130	98	66.5	4-15	35	16
	3/4 "	19	150	117	82.5	4-19	43	16
	1 "	25.4	160	124	89	4-19	51	18
	1 1/4 "	32	180	133	98.5	4-19	64	19
	1 1/2 "	38.1	200	156	114.3	4-22	73	21
	2 "	51	230	165	127	8-19	92	23
	2 1/2 "	64	290	190	149	8-22	105	26
300Lb	3 "	76	310	210	168.5	8-22	127	29
	4 "	102	350	254	200	8-22	157	32

注: 1. 设计与制造符合MFG标准。 2. 试验与检验符合API 598。  
3. 结构长度符合MFG标准。 4. 法兰尺寸符合ANSI B16.5技术要求。  
Note. 1. The design & manufacture accords with MFG standard 2.The test & inspection accords with API 598.  
3. The length of structure accords with MFG standard. 4. The flange dimension accords with the technique requirements of ANSI B16.5.





## 美标浮动球阀 API Cast Steel Floating Type Ball Valve

### 应用规范

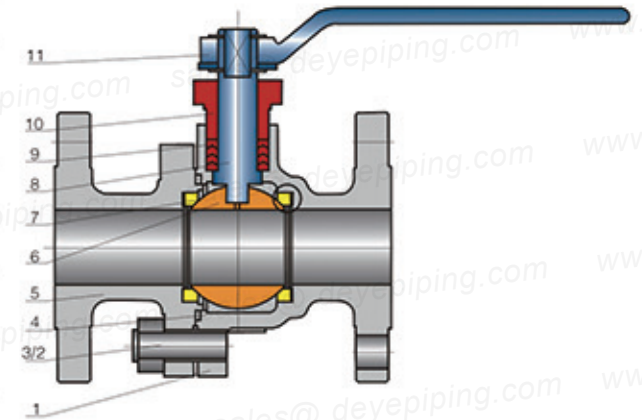
- 1, 法兰尺寸符合ANSI B16.5标准
- 2, 结构长度符合ANSI B16.10标准
- 3, 设计与制造符合API 6D标准
- 4, 消防安全, 空气污染指数607/API规格6FA & B旅馆6755第2部
- 5, 阀门检查和试验按API 598标准

### Application Specification

- 1, Flange dimensions to ANSI B16.5
- 2, Face to face dimensions to ANSI B16.10
- 3, Design and Manufacture in accordance with API 6D
- 4, Fire safe to API 607/API SPEC 6FA & BS 6755 PART 2
- 5, Valve tested to API 598

### 主要零件材质 Parts Material

序号 NO.	零件名称 Parts Name	材质 Material	
		不锈钢 Stainless Steel	铸钢 Cast Steel
1	阀体 Body	A351 CF8	A216 WCB
2	双头螺栓 Stud	A193 B8	A193 B7
3	螺母 Nut	A194 2H	A194 2H
4	垫片 Gasket	PTFE	PTFE
5	阀盖 Valve cover	A351 CF8	A216 WCB
6	球体 Ball	A182 F304	A182 F304
7	阀座 Seat	PTFE	PTFE
8	阀杆 Stem	A182 F6a	A182 F6a
9	填料 Packing	A182 F304	PTFE
10	填料压盖 Gland	WCB	WCB
11	手柄 Handle	A351 CF8	A216 WCB

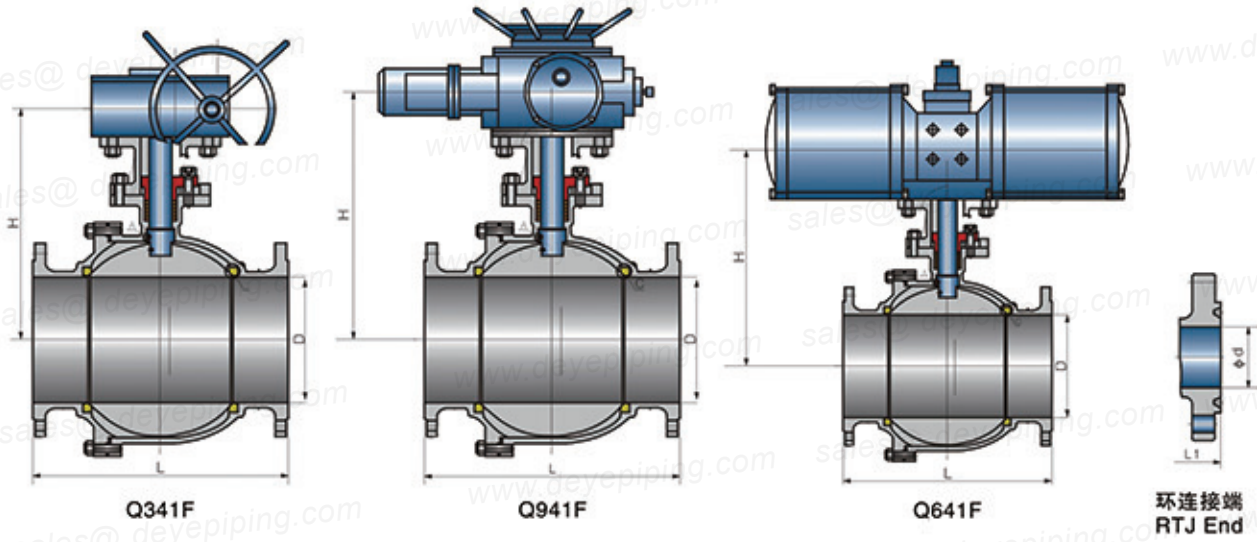


### 产品性能规范 Products performance specification

性能规范 Performance Specification		压力等级 Pressure Grade ( Class )			
		150	300	400	600
试验压力 Testing Pressure ( MPa )	强度试验 Shell test	2.93	7.58	10.0	15.0
	密封试验 Seal test	2.07	5.52	7.31	11.03
	气压试验 Ar test	0.6MPa			
适用温度 Applicable Temperature		-196℃ - 550℃(注:不同工况温度, 选用不同的材质) Different materials for different Operating temperature			
适用介质 Applicable Medium	普通型 Ordinary type	水、蒸汽、石油、液化气、天然气等 Water, Steam, Petroleum, LPG, Natural gas etc.			
	抗硫型 Antisulphur type	含H2S、CO天然气、石油等 Natural gas containing H2S and CO, petroleum, etc			



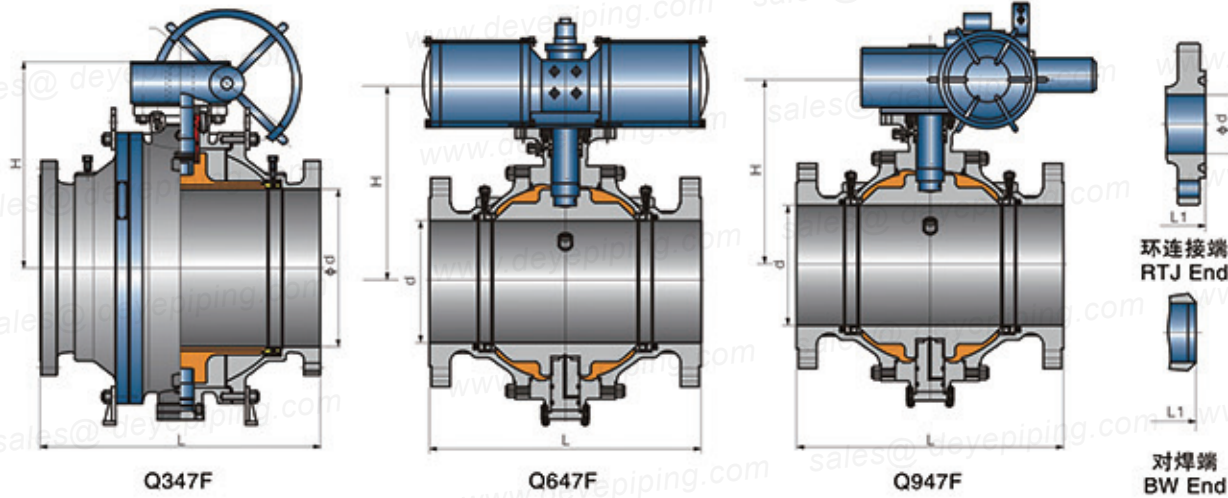
## 美标浮动球阀 API Cast Steel Floating Type Ball Valve



### 美标150Lb、300Lb球阀 Class 150~300 Cast Steel Floating Ball Valve

压力等级 Pressure	规格 Size		尺寸 Dimensions (mm)										重量 Weight (kg)				
	DN	NPS	L		d	D	D1	D2	B	F	Z-φd0	W		H		Weight (kg)	
			RF	RTJ								手动 Handle	涡轮转动 W.G	手动 Handle	涡轮转动 W.G	手动 Handle	涡轮转动 W.G
150LBS	15	1/2	108	119	14	89	60.5	35	11.5	1.6	4-15	140	-	85	-	2.5	-
	20	3/4	117	130	19	98	70	43	11.5	1.6	4-15	140	-	90	-	3	-
	25	1	127	140	25	108	79.5	51	11.5	1.6	4-15	150	-	99	-	4	-
	32	1 1/4	140	153	32	117	89	64	13	1.6	4-15	180	-	105	-	5.5	-
	40	1 1/2	165	178	38	127	98.5	73	14.5	1.6	4-15	200	-	126	-	8	-
	50	2	178	191	51	152	120.5	92	16	1.6	4-19	250	-	140	-	11	-
	65	2 1/2	190	203	64	178	139.5	105	17.5	1.6	4-19	300	-	165	-	13	-
	80	3	203	216	76	190	152.5	127	19.5	1.6	4-19	350	-	178	-	17	-
	100	4	229	242	102	229	190.5	157	24	1.6	8-19	500	305	230	380	27	42
	125	5	356	369	127	254	216	186	24	1.6	8-22	800	305	280	405	60	79
300LBS	150	6	394	407	152	279	241.5	216	25.5	1.6	8-22	800	305	310	460	80	100
	200	8	457	470	203	343	298.5	270	29	1.6	8-22	1000	305	350	550	145	185
	250	10	533	546	254	406	362	324	31	1.6	12-25	-	400	-	706	-	280
	15	1/2	140	151	14	95	66.5	35	14.5	1.6	4-15	140	-	85	-	3	-
	20	3/4	152	165	19	117	82.5	43	16	1.6	4-19	140	-	90	-	5	-
	25	1	165	178	25	124	89	51	17.5	1.6	4-19	150	-	99	-	6	-
	32	1 1/4	178	191	32	133	98.5	61	19.5	1.6	4-19	180	-	105	-	8	-
	40	1 1/2	190	203	38	156	114.5	73	21	1.6	4-22	200	-	126	-	11	-
	50	2	216	232	51	165	127	92	22.5	1.6	8-19	250	-	142	-	16	-
	65	2 1/2	241	257	64	190	149	105	25.5	1.6	8-22	300	-	165	-	24	-
80	3	283	299	76	210	168.5	127	29	1.6	8-22	350	-	178	330	34	52	
100	4	305	321	102	254	200	157	32	1.6	8-22	500	305	230	380	56	76	
125	5	381	397	127	279	235	186	35	1.6	8-22	800	305	280	420	86	124	
150	6	403	419	152	318	270	216	37	1.6	12-22	800	305	310	480	125	163	
200	8	502	518	203	381	330	270	41.5	1.6	12-25	1000	305	350	560	222	267	





美标150~300Lb固定铸钢球阀Class 150-300 Trunnion Type Cast Steel Ball Valve

压力级 Pressure	规格Size		尺寸Dimensions(mm)												重量 Weight (kg)
	DN	NPS	L		d	D	D1	D2	b	f	Z-φd0	H	H1	W	
			RF	BW											
150LBS	100	4	229	305	102	229	190.5	157	24	1.6	8-19	330	135	300	60
	125	5	356	381	127	254	216	186	24	1.6	8-22	360	165	300	80
	150	6	394	457	152	279	241.5	216	25.5	1.6	8-22	392	193	300	101
	200	8	457	521	203	343	298.5	270	29	1.6	8-22	492	240	300	166
	250	10	533	559	254	406	362	324	31	1.6	12-25	548	293	300	283
	300	12	610	635	305	483	432	381	32	1.6	12-25	688	340	400	463
	350	14	686	762	337	533	476	413	35	1.6	12-29	722	372	400	622
	400	16	762	938	387	597	540	470	37	1.6	16-29	722	415	400	900
	450	18	864	914	438	635	578	533	40	1.6	16-32	804	462	500	1150
	500	20	714	991	489	699	635	584	43	1.6	20-32	952	511	600	1360
	600	24	1067	1143	591	813	749.5	692	48	1.6	20-35	1154	601	750	2514
	650	26	1143	1245	633	786	744.5	711	40	1.6	36-22	1300	700	750	3200
700	28	1245	1346	684	837	795.5	762	43	1.6	40-22	1550	780	750	4000	
750	30	1295	1397	735	887	846	813	43	1.6	44-22	1650	830	750	4800	
800	32	1372	1524	779	941	900	864	44	1.6	48-22	1740	870	750	5800	
900	36	1524	1727	874	1057	1009.5	972	51	1.6	44-26	1950	970	750	8000	
300LBS	100	4	305	305	102	254	200	157	32	1.6	8-22	340	140	300	70
	125	5	381	381	127	279	238	186	35	1.6	8-22	370	170	300	95
	150	6	403	457	152	318	270	216	37	1.6	12-22	402	192	300	128
	200	8	502	521	203	381	330	270	41.5	1.6	12-25	498	246	300	234
	250	10	568	559	254	445	387.5	324	48	1.6	16-29	655	303	400	403
	300	12	648	635	305	521	451	381	51	1.6	16-32	658	348	400	602
	350	14	762	762	337	584	514.5	413	54	1.6	20-32	686	378	400	803
	400	16	938	838	387	648	571.5	470	58	1.6	20-35	880	429	600	1273
	450	18	914	914	438	711	628.5	533	61	1.6	24-35	1050	518	750	1450
	500	20	991	991	489	775	686	584	64	1.6	24-35	1110	540	750	1700
	600	24	1143	1143	591	914	813	692	70	1.6	24-41	1400	650	750	3100
	650	26	1245	1245	633	867	803.5	737	87	1.6	32-35.5	1500	750	750	4500
700	28	1346	1346	684	921	857	787	87	1.6	36-35.5	1600	800	750	6000	
750	30	1397	1397	735	991	921	845	92	1.6	36-39	1720	860	750	7500	
800	32	1524	1524	779	1054	978	902	102	1.6	32-42	1800	900	750	9000	
900	36	1727	1727	874	1172	1089	1010	102	1.6	32-45	2200	1020	600	12000	

美标600~2500Lb 固定铸钢球阀Class 600~2500 Trunnion Type Cast Steel Ball Valve

压力级 Pressure	规格Size		尺寸Dimensions(mm)												重量 Weight (kg)		
	DN	NPS	L			d	D	D1	D2	b	f	Z-φd0	H	H1		W	
			RF	RTJ	BW												
600LBS	50	2	292	295	292	51	165	127	92	26	6.4	8-19	240	94	300	32	
	65	2 1/2	330	333	330	64	190	149	105	29	6.4	8-22	290	115	300	47	
	80	3	356	359	356	76	210	168	127	32	6.4	8-22	340	136	300	68	
	100	4	432	435	432	102	273	216	157	38	6.4	8-25	358	152	300	106	
	125	5	508	511	508	127	330	266.5	186	45	6.4	8-29	400	180	300	170	
	150	6	559	562	559	152	356	292	216	48	6.4	12-29	445	209	400	241	
	200	8	660	664	660	203	419	349	270	56	6.4	12-32	498	263	400	444	
	250	10	787	791	787	254	508	432	324	64	6.4	16-35	653	312	400	668	
	300	12	838	841	838	305	559	489	381	67	6.4	20-35	665	354	500	1050	
	350	14	889	892	889	334	603	527	413	70	6.4	20-38	738	389	600	1317	
	400	16	991	994	991	385	686	603	470	77	6.4	20-41	920	440	750	1800	
	450	18	1092	1095	1092	436	743	654	533	83	6.4	20-44	1100	530	750	2400	
500	20	1194	1200	1194	487	813	724	584	89	6.4	24-44	1200	560	750	3000		
600	24	1397	1407	1397	538	940	838	692	102	6.4	24-52	1480	670	750	5400		
900LBS	50	2	368	371	368	51	216	165.1	92	38.5	6.4	8-26	250	98	300	45	
	65	2 1/2	419	422	419	64	244	190.5	105	41.5	6.4	8-29	300	120	300	55	
	80	3	381	384	381	76	241	190.5	127	38.5	6.4	8-26	345	140	300	94	
	100	4	457	460	457	102	292	234.9	157	44.5	6.4	8-32	415	162	300	141	
	125	5	559	562	559	127	349	279.4	186	51	6.4	8-35	446	188	300	230	
	150	6	610	613	610	152	381	317.5	216	56	6.4	12-32	477	213	400	325	
	200	8	737	740	737	203	470	393.7	270	63.5	6.4	12-39	520	270	400	580	
	250	10	838	841	838	254	545	469.9	324	70	6.4	16-39	628	322	400	850	
	300	12	965	968	965	305	610	533.4	381	79.5	6.4	20-39	680	360	500	1330	
	350	14	1029	1038	1029	322	640	558.8	413	86	6.4	20-42	750	400	600	1660	
	400	16	1130	1140	1130	373	705	615.9	470	89	6.4	20-45	940	460	750	2280	
	1500LBS	40	1 1/2	305	305	305	38	178	123.8	73	32	6.4	4-29	280	100	300	44
50		2	368	371	368	51	216	165.1	92	38.5	6.4	8-26	320	113	300	67	
65		2 1/2	419	422	419	64	244	190.5	105	41.5	6.4	8-29	340	125	300	80	
80		3	470	473	470	76	267	203.2	127	48	6.4	8-32	385	138	300	130	
100		4	546	549	546	102	331	241.3	157	54	6.4	8-35	415	171	300	192	
125		5	673	676	673	125	375	292.1	186	73.5	6.4	8-42	480	200	400	335	
150		6	705	711	705	144	394	317.5	216	83	6.4	12-39	580	222	400	475	
200		8	832	841	832	192	483	393.7	270	92	6.4	12-45	584	280	400	820	
250		10	991	1000	991	239	585	482.6	324	108	6.4	12-51	650	340	500	1320	
350		12	1130	1146	1130	287	675	571.5	381	124	6.4	16-54	700	370	600	2050	
2500LBS		40	1 1/2	384	387	384	38	203	146	73	44.5	6.4	4-32	290	105	300	72
		50	2	451	454	451	42	235	171.4	92	51	6.4	8-29	320	120	300	104
	65	2 1/2	508	514	508	52	267	196.8	105	57.5	6.4	8-32	350	130	300	140	
	80	3	578	584	578	62	305	228.6	127	67	6.4	8-35	400	150	300	202	
	100	4	673	683	673	87	356	273	157	76.5	6.4	8-42	425	180	400	305	
	125	5	794	807	794	100	419	323.8	186	92.5	6.4	8-48	500	210	400	530	
	150	6	914	927	914	131	483	368.3	216	108	6.4	8-54	590	230	500	760	
	200	8	1022	1038	1022	179	550	438.1	270	127	6.4	12-54	610	290	500	1200	
	250	10	1270	1292	1270	223	673	539.7	324	165.5	6.4	12-67	660	350	600	2080	

注: 1.RF表示突面法兰, RJ表示环连接面法兰, BW表示焊接端连接。2.对于NPS ≤ 24的阀门, 本表法兰尺寸按ASME B16.5标准。  
3.对于NPS ≥ 26, 本表法兰尺寸按ASME B16.47标准的B系列、API1605标准及GB/T13402标准, 根据用户要求, 法兰尺寸也可按ASME B16.47标准的A系列及MSS SP-44标准。  
Note: 1.RF indicates raised flange, RJ means ring joint flange, and BW is butt welding ends connection.  
2. Flange dimensions of the above table for valves of NPS ≤ 24 conforms to ASME B 16.5  
3. For valves of NPS ≥ 26, the flange dimensions of above table conforms to B series of ASME B 16.47 and API 605. As required by customers, flange dimensions may also conform to A series of ASME B 16.47 and MSS-SP-44