

# Z50804040F1195&1585(2+2)

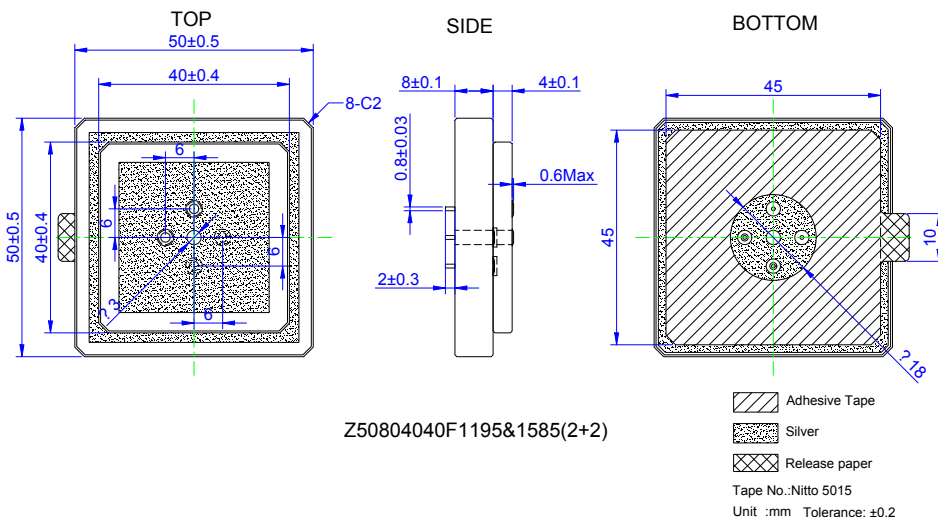
## ENGINEERING SPECIFICATION

### 1. Typical Electrical Properties ( RoHS compliance )

Characteristics	Specification	Unit	Conditions
Center Frequency 1	1195	MHz	@70*70 Ground
Gain(Zenith)	@1160 MHz	-1.2	@70*70 Ground With 3dB Hybrid
	@1195 MHz	4.8	
	@1230 MHz	-0.6	
Axial ratio	@1160 MHz	1.9	@70*70 Ground With 3dB Hybrid
	@1195 MHz	1.5	
	@1230 MHz	0.6	
Return Loss @Fo	< -15	dB	@70*70 Ground
Polarization	2 PIN		
Frequency Temperature Coefficient	0±20	ppm/°C	-40°C to +85°C

Characteristics	Specification	Unit	Conditions
Center Frequency 2	1585	MHz	@70*70 Ground
Gain(Zenith)	@1560 MHz	4.9	@70*70 Ground With 3dB Hybrid
	@1585 MHz	5.8	
	@1610 MHz	4.6	
Axial ratio	@1560 MHz	1.7	@70*70 Ground With 3dB Hybrid
	@1585 MHz	1.6	
	@1610 MHz	1.2	
Return Loss @Fo	< -15	dB	@70*70 Ground
Polarization	2 PIN		
Frequency Temperature Coefficient	0±20	ppm/°C	-40°C to +85°C

### 2. Dimension(Unit:mm)



UNLESS OTHER SPECIFIED TOLERANCES ON :  
X=±0.3      X.X=±0.2      X.XX=± 0.1  
**ANGLES = ±2°**      **HOLEDIA = ±0.1**

Shenzhen Tongxun Precision  
Technology Co.,Ltd.

SCALE : 1:1

UNIT : mm

DRAWN BY : 梁杰

CHECKED BY : 凌志辉

DESIGNED BY : 凌志辉

APPROVED BY : 许慧云

THIS DRAWINGS AND SPECIFICATIONS ARE THE PROPERTY OF T O X U CO.,LTD.AND SHALL NOT BE REPRODUCED OR USED AS THE BASIS FOR THE MANUFACTURE OR SALE OF APPARATUS OR DEVICES WITHOUT PERMISSION

**TITLE : Z50804040F1195&1585(2+2)**  
**ENGINEERING SPECIFICATION**

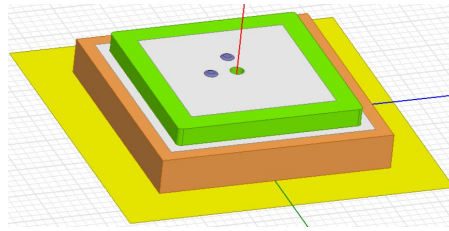
DOCUMENT  
NO.

Z50804040F1195&1585(2+2)

PAGE REV.

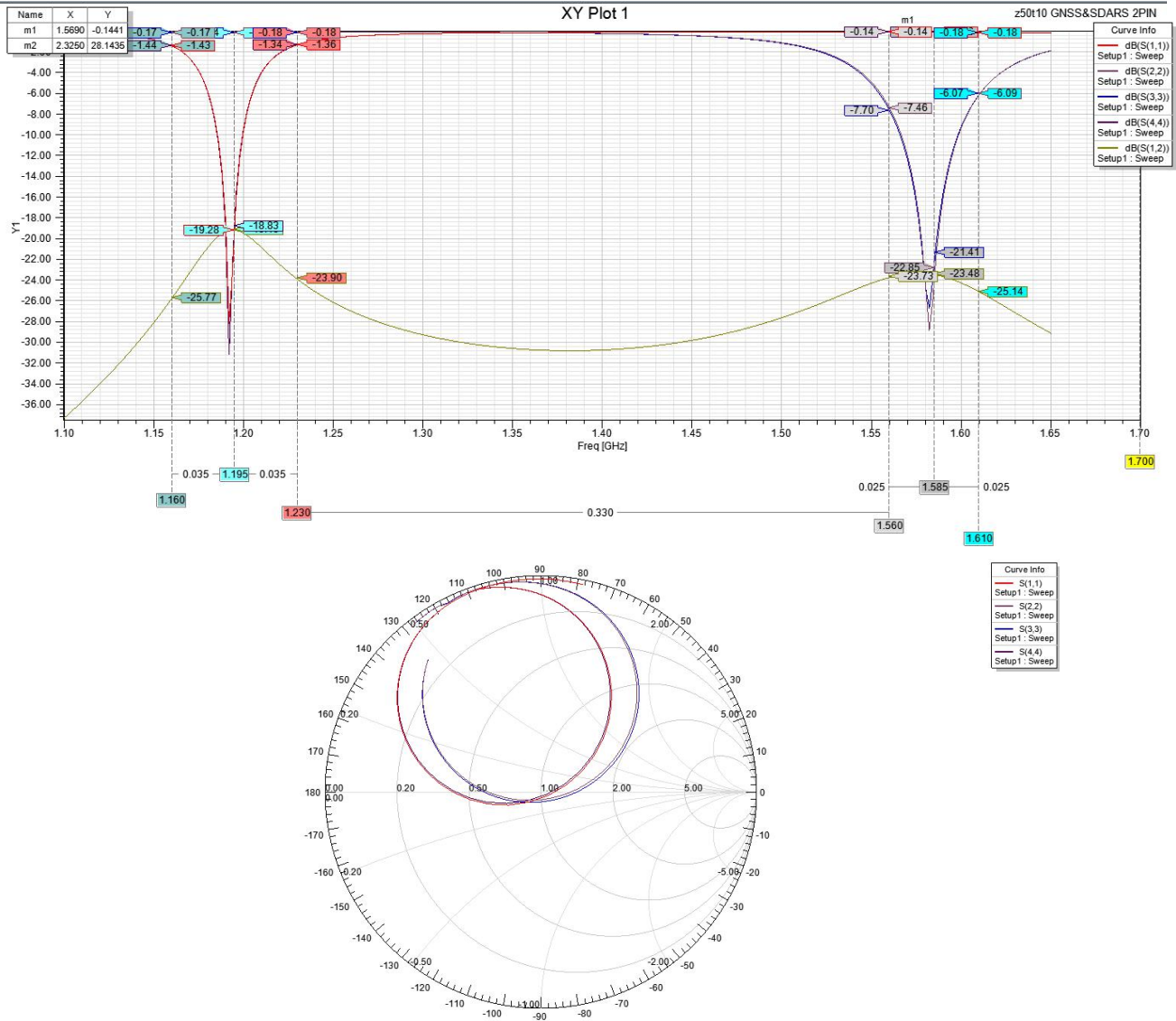
A0

### 3. Test Condition Ground Plane(Unit:mm; Materials:Brass)



70\*70mm JIG

### 4. Measured Smith Chart & Return Loss



UNLESS OTHER SPECIFIED TOLERANCES ON :  
 X=±0.3      X.X=±0.2      X.XX=± 0.1  
 ANGLES=±2°      HOLEDIA= ±0.1

Shenzhen Tongxun Precision  
Technology Co.,Ltd.

SCALE : 1:1

UNIT : mm

DRAWN BY : 梁杰

CHECKED BY : 凌志辉

DESIGNED BY : 凌志辉

APPROVED BY : 许慧云

THIS DRAWINGS AND SPECIFICATIONS ARE THE PROPERTY OF T O X U CO.,LTD.AND SHALL NOT BE REPRODUCED OR USED AS THE BASIS FOR THE MANUFACTURE OR SALE OF APPARATUS OR DEVICES WITHOUT PERMISSION

**TITLE : Z50804040F1195&1585(2+2)**  
ENGINEERING SPECIFICATION

DOCUMENT

NO.

Z50804040F1195&1585(2+2)

PAGE REV.

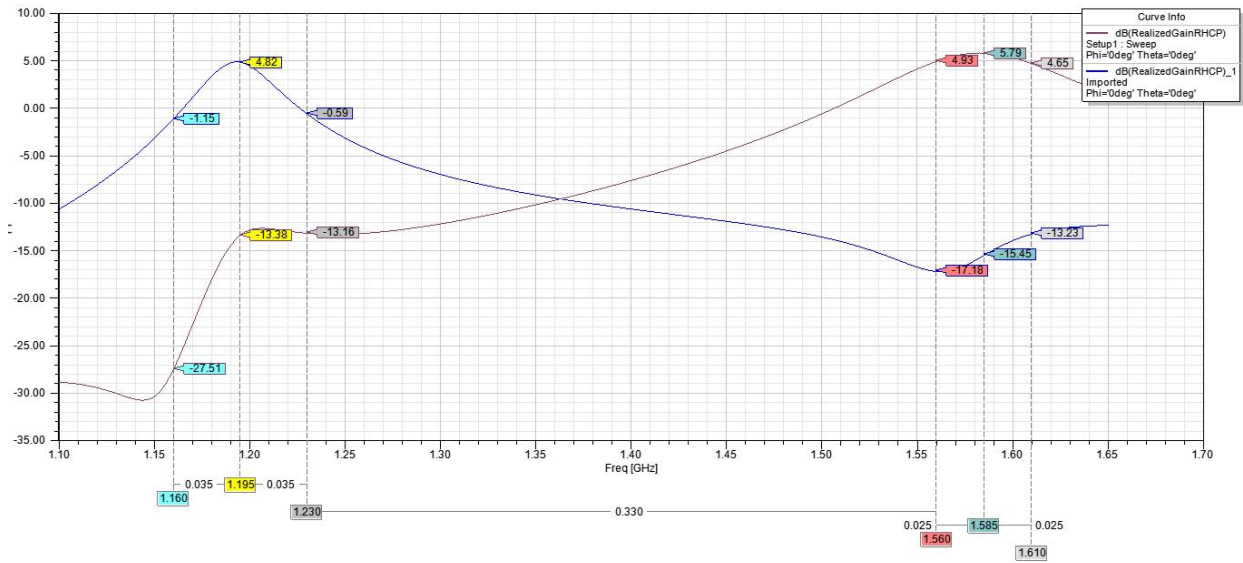
A0

## 5. Material



No.	Description	Material	Specification
5.1	Antenna Substrate	Microwave dielectric	$8.0 \pm 0.5$
5.2	Pin	Copper and Silver-plated	
5.3	Electrode	Ag Plated	
5.4	Adhesive Type	Nitto 5015	Thickness: $0.15 \pm 0.1$ mm
5.5	Sn	Sn:Ag:Cu	96.5:3:0.5

## 6. Gain



## 7. Axial Ratio

UNLESS OTHER SPECIFIED TOLERANCES ON :  
 X= $\pm 0.3$     X.X= $\pm 0.2$     X.XX= $\pm 0.1$   
 ANGLES= $\pm 2^\circ$     HOLEDIA =  $\pm 0.1$

Shenzhen Tongxun Precision  
 Technology Co.,Ltd.

SCALE : 1:1

UNIT : mm

DRAWN BY : 梁杰

CHECKED BY : 凌志辉

DESIGNED BY : 凌志辉

APPROVED BY : 许慧云

THIS DRAWINGS AND SPECIFICATIONS ARE THE PROPERTY OF T O X U CO.,LTD.AND SHALL NOT BE REPRODUCED OR USED AS THE BASIS FOR THE MANUFACTURE OR SALE OF APPARATUS OR DEVICES WITHOUT PERMISSION

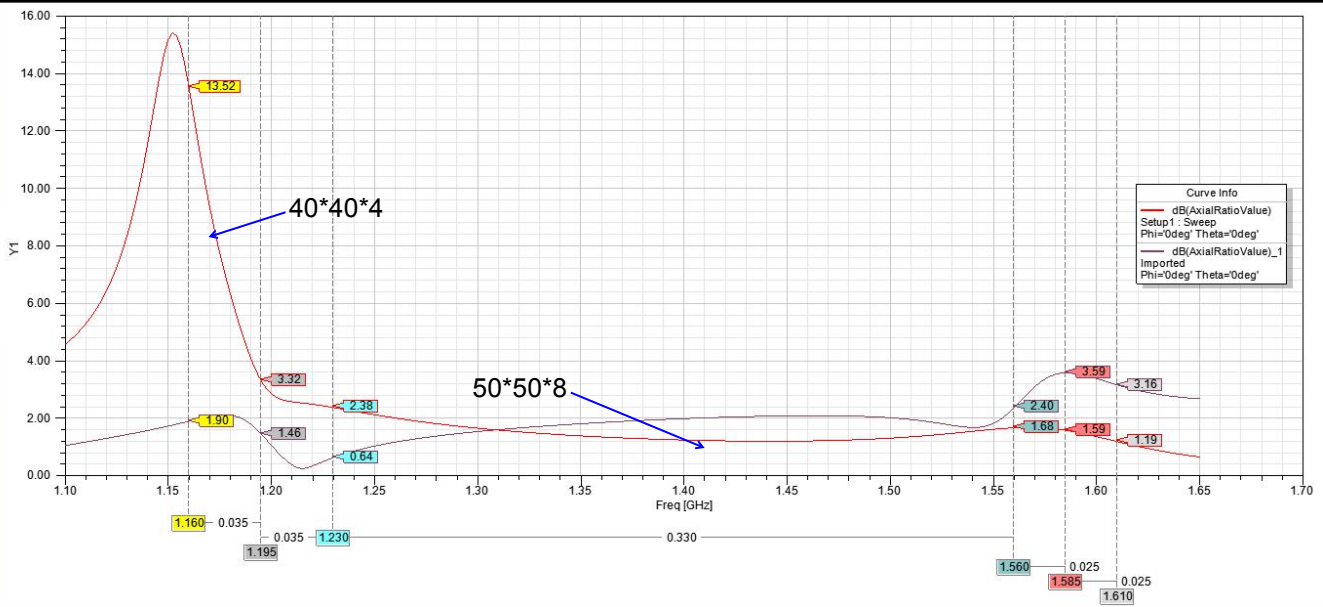
**TITLE : Z50804040F1195&1585(2+2)**  
**ENGINEERING SPECIFICATION**

DOCUMENT  
 NO.

Z50804040F1195&1585(2+2)

PAGE REV.

A0



UNLESS OTHER SPECIFIED TOLERANCES ON :  
 X=±0.3      X.X=±0.2      X.XX=± 0.1  
 ANGLES=±2°      HOLEDIA= ±0.1

Shenzhen Tongxun Precision  
 Technology Co.,Ltd

SCALE : 1:1

UNIT : mm

DRAWN BY : 梁杰

CHECKED BY : 凌志辉

DESIGNED BY : 凌志辉

APPROVED BY : 许慧云

THIS DRAWINGS AND SPECIFICATIONS ARE THE PROPERTY OF T O X  
 U CO.,LTD.AND SHALL NOT BE REPRODUCED OR  
 USED AS THE BASIS FOR THE MANUFACTURE OR SALE OF APPARATUS  
 OR DEVICES WITHOUT PERMISSION

**TITLE : Z50804040F1195&1585(2+2)**  
**ENGINEERING SPECIFICATION**

DOCUMENT  
 NO.

Z50804040F1195&1585(2+2)

PAGE REV.  
 A0